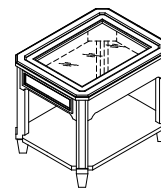


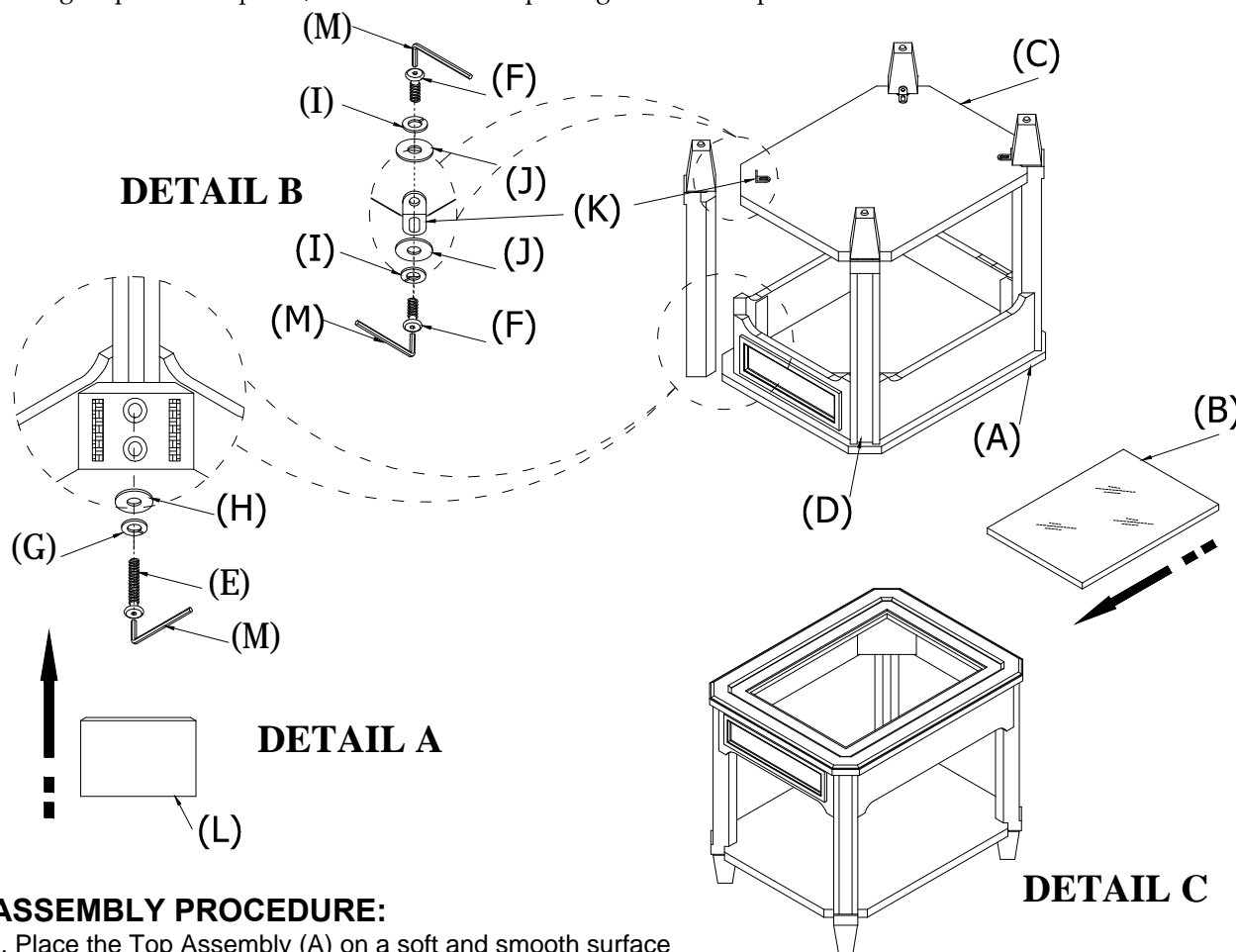
### Component And Hardware List



Item #40807  
Rect End - Glass Top

<b>Top Assembly</b> <p>(A) 1 PC.</p>	<b>Glass Top</b> <p>(B) 1 PC.</p>	<b>Shelf Panel</b> <p>(C) 1 PC.</p>	<b>LEGS</b> <p>(D) 4 PCS.</p>	<b>Bolt:</b> $\text{Ø}5/16'' \times 38\text{mm}$ <p>(E) 8 PCS.</p>	<b>Bolt:</b> $\text{Ø}1/4'' \times 15\text{mm}$ <p>(F) 8 PCS.</p>	<b>Spring Washer</b> $\text{Ø}5/16''$ <p>(G) 8 PCS.</p>	<b>Flat Washer</b> $\text{Ø}5/16''$ <p>(H) 8 PCS.</p>	<b>Spring Washer</b> $\text{Ø}1/4''$ <p>(I) 8 PCS.</p>	<b>Flat Washer</b> $\text{Ø}1/4''$ <p>(J) 8 PCS.</p>	<b>'L' Bracket</b> <p>(K) 4 PCS.</p>	<b>Corner Decoration</b> <p>(L) 4 PCS.</p>	<b>ALLEN KEY</b> <p>(M) 1 PC.</p>
---	--------------------------------------	--	----------------------------------	--	---	---	---	--	--	---	---	--------------------------------------

Be sure to check all packing material carefully for small parts, which may have come loose inside the carton during shipment. Separate, count and check all parts against the Components and Hardware List above.



### ASSEMBLY PROCEDURE:

1. Place the Top Assembly (A) on a soft and smooth surface
2. Assemble the Legs (D) to the Top Assembly (A) by using Bolt (E) Spring Washer (G) & Flat Washer (H) as shown in **DETAIL A**. Do not fully tighten until after next step.
3. Assemble 'L' BRACKET (K) to the LEGS (D) & BOTTOM SHELF (C) by using BOLT (F) SPRING WASHER (I) & FLAT WASHER (J) as shown in **DETAIL B**. Pull the SHELF snug to the LEGS and tighten BOLTS. Pull the LEGS snug to the TABLE TOP and tighten BOLTS
4. Carefully turn the table upright.
5. Attach the decoration panel (L) to cover the corners of the Top Assembly (A)
6. Place the glass (B) onto the top assembly (A) as shown in **DETAIL C**.

**THANK YOU FOR YOUR PURCHASE.**