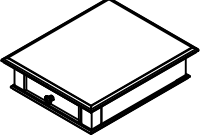
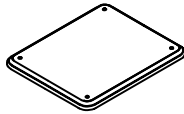
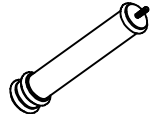

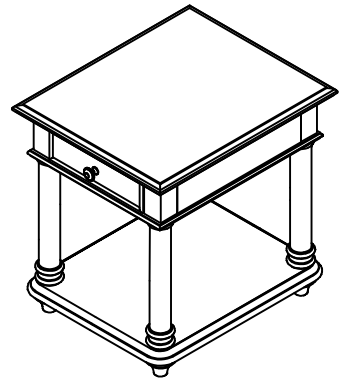


Components and Hardware List

Table Top	Shelf	Leg	Foot
			
(A) 1 pc.	(B) 1 pc.	(C) 4 pcs.	(D) 4 pcs.



#40609
End Table

Be sure to check all packing material carefully for small parts, which may have come loose inside the carton during shipment.

To prevent possible scratches and damage, this furniture should be assembled on a soft surface such as a blanket or carpet.

