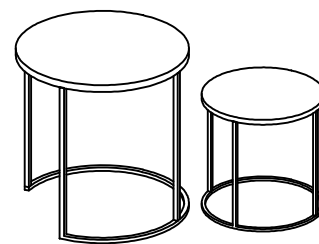


Warning :

- Be sure to check all packing material carefully for small parts, which may have come loose inside the carton during shipment.
- To prevent possible scratches and damage, this furniture **MUST BE ASSEMBLED BY TWO PEOPLE** on a soft surface such as a blanket or carpet.



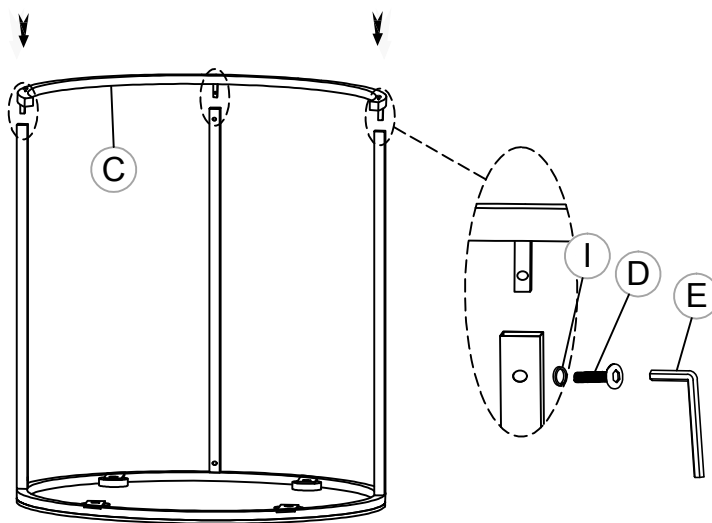
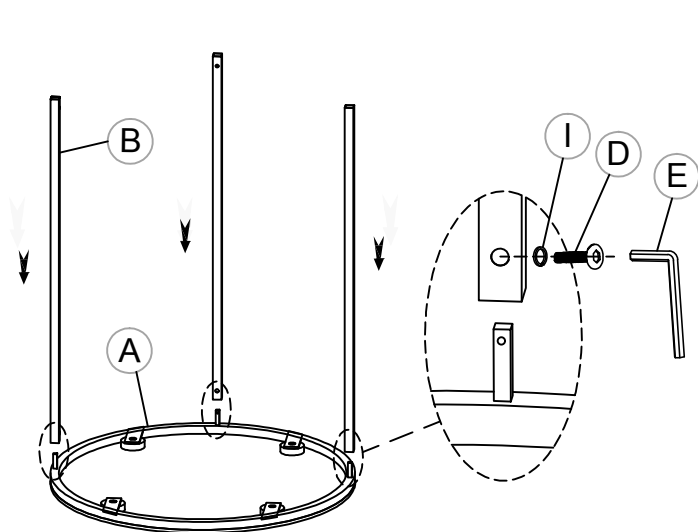
Components and Hardware List

<p>Table Top - Large</p> <p>(A) 1 pc.</p>	<p>Connecting Pipe - Large</p> <p>(B) 3 pcs.</p>	<p>Large Base</p> <p>(C) 1 pc.</p>	<p>Allen Bolt</p> <p>(D) 12 pcs.</p>	<p>4mm Allen Key</p> <p>(E) 1 pc.</p>
<p>Table Top - Small</p> <p>(F) 1 pc.</p>	<p>Connecting Pipe - Small</p> <p>(G) 3 pcs.</p>	<p>Small Base</p> <p>(H) 1 pc.</p>	<p>Lock Washer</p> <p>(I) 12 pcs.</p>	

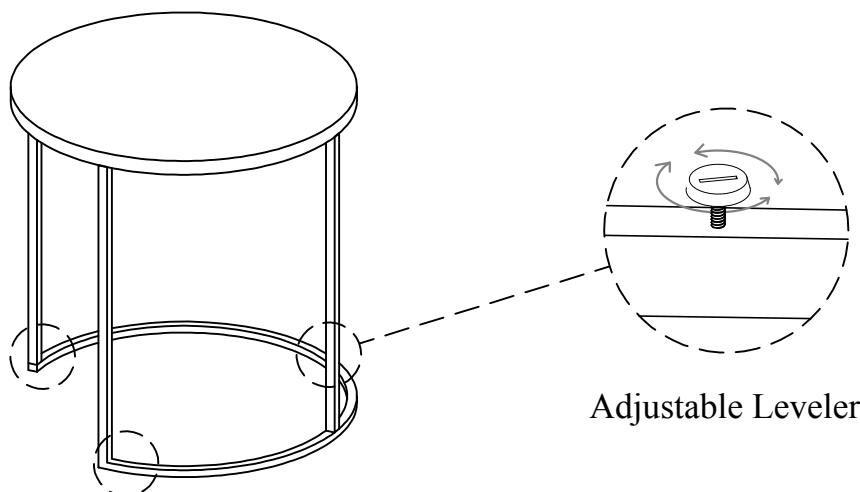
40003
Round Nesting Cocktail

Step 1: Do not fully tighten the bolts

Step 2: Using the Allen key to tighten all bolts.

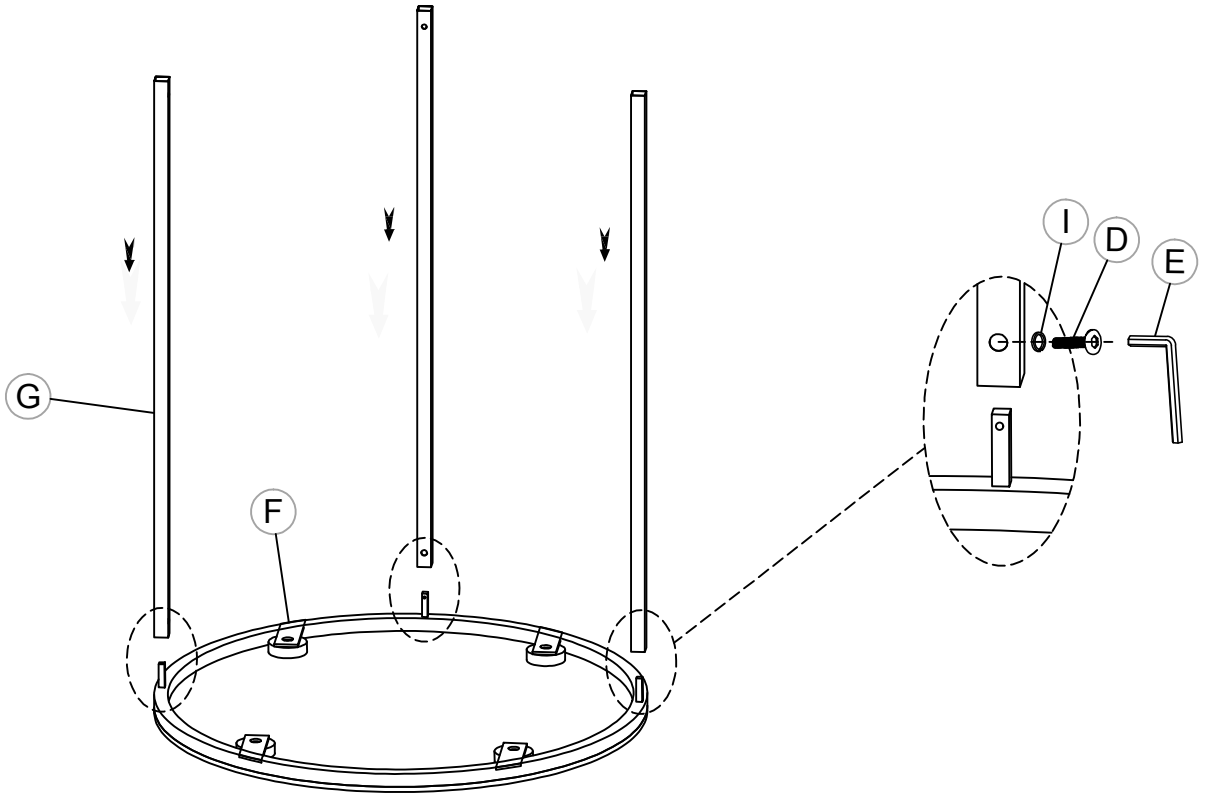


Complete



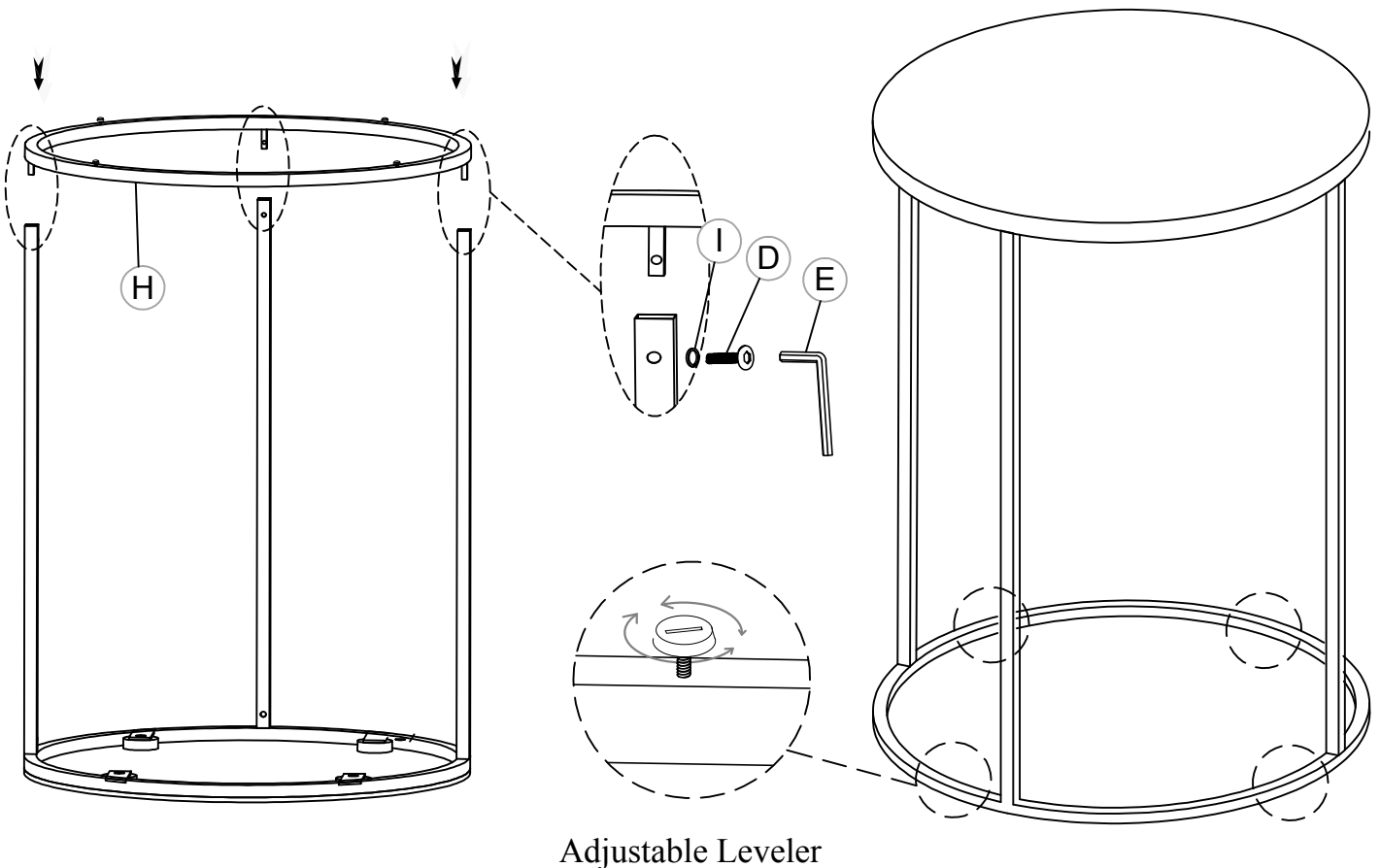
Adjustable Leveler

Step 3: Do not fully tighten the bolts



Step 4: Using the Allen key to tighten all bolts.

Complete



Adjustable Leveler