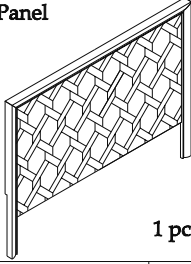
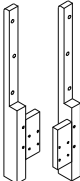
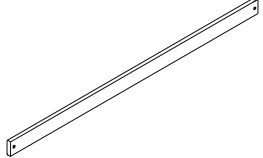
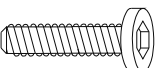



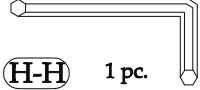
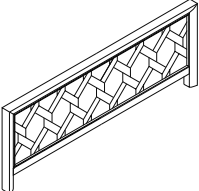
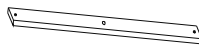

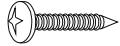


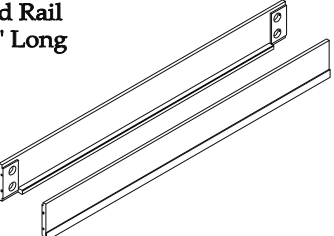




Hardware and Parts packed with the Headboard

Headboard Panel  (H-A) 1 pc.		Headboard Post  (H-B) One Left & One Right		Headboard Stretcher  (H-C) 1 pc.	
5/16" -18 x 1-3/4" Long Allen Head Bolt  (H-D) 6 pcs.	5/16" -18 x 1-1/2" Long Allen Head Bolt  (H-E) 2 pcs.	5/16" Spring Washer  (H-F) 8 pcs.	5/16" x 19 x 2mm Flat Washer  (H-G) 8 pcs.	5mm Allen Wrench  (H-H) 1 pc.	

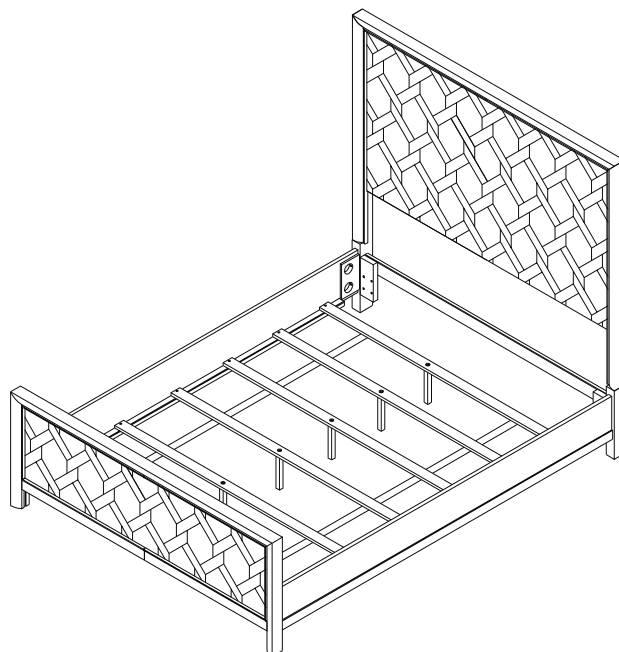
Hardware and Parts packed with the Footboard

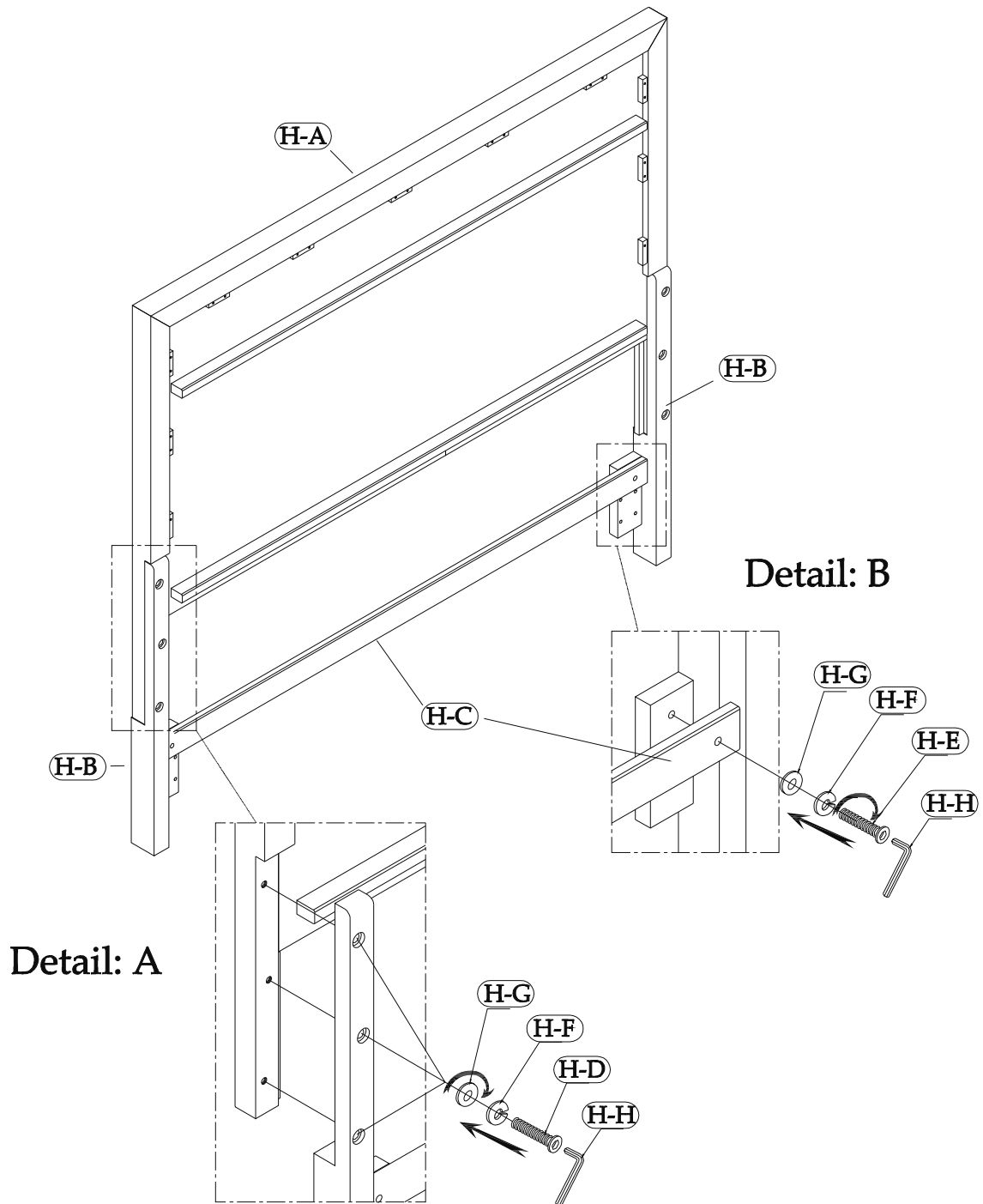
Queen Footboard  (F-A) 1 pc.		5/0 Wood Slat 61" Long  (F-B) 5 pcs.		Support Leg with leveler  (F-C) 5 pcs.		#8 x 1" Wood Screw  (F-D) 10 pcs.	
--	--	--	--	--	--	---	--

Hardware and Parts packed with the Bed Rails

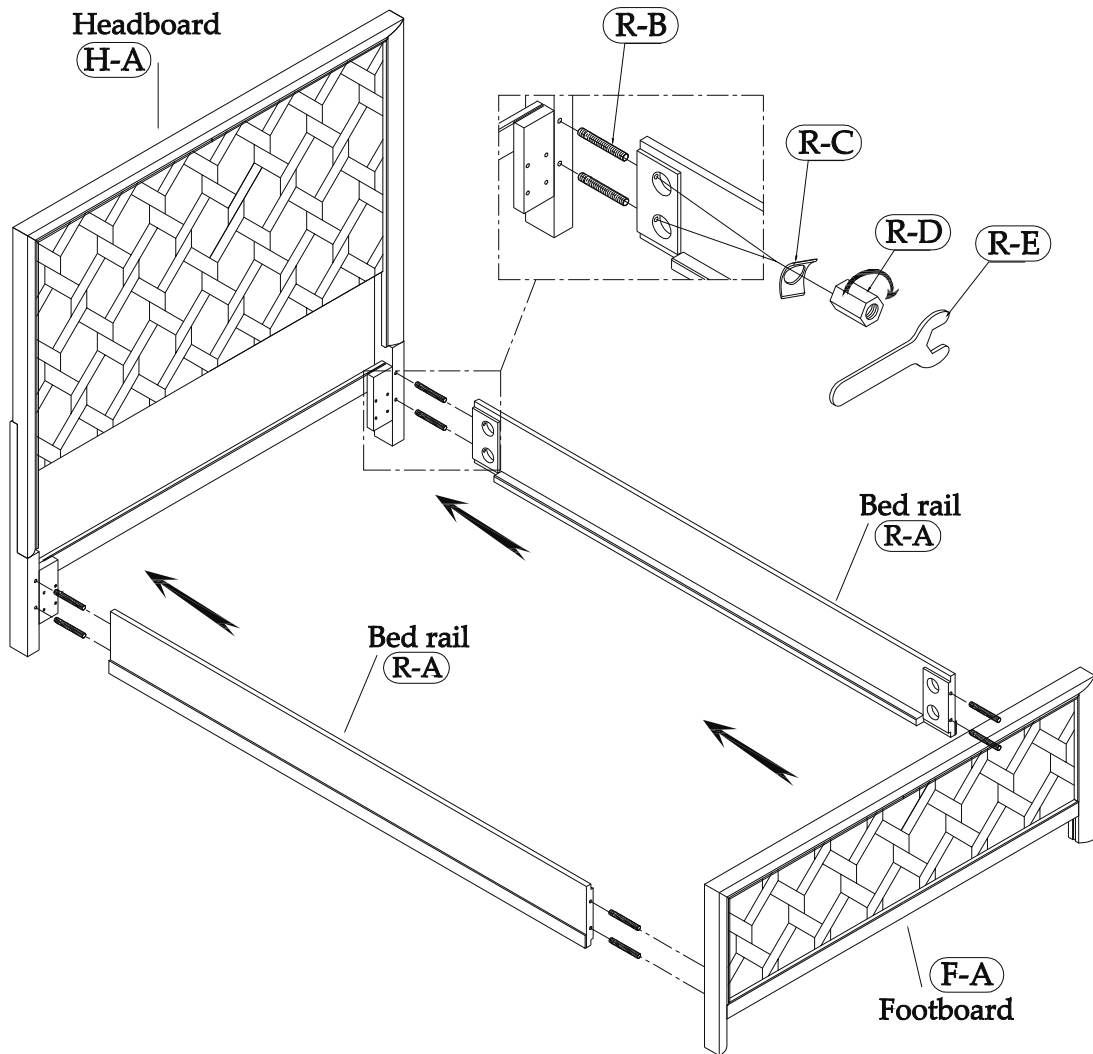
5/0-6/6 Bed Rail 81" Long  (R-A) 2 pcs.		5/16"-18 x 3-1/2" Long All-Thread Bolt  (R-B) 8 pcs.		Ø50mm Arc-Washer  (R-C) 8 pcs.		5/16-18 x L17 Hex Nut  (R-D) 8 pcs.		15mm Open Wrench  (R-E) 1 pc.	
--	--	---	--	---	--	--	--	--	--

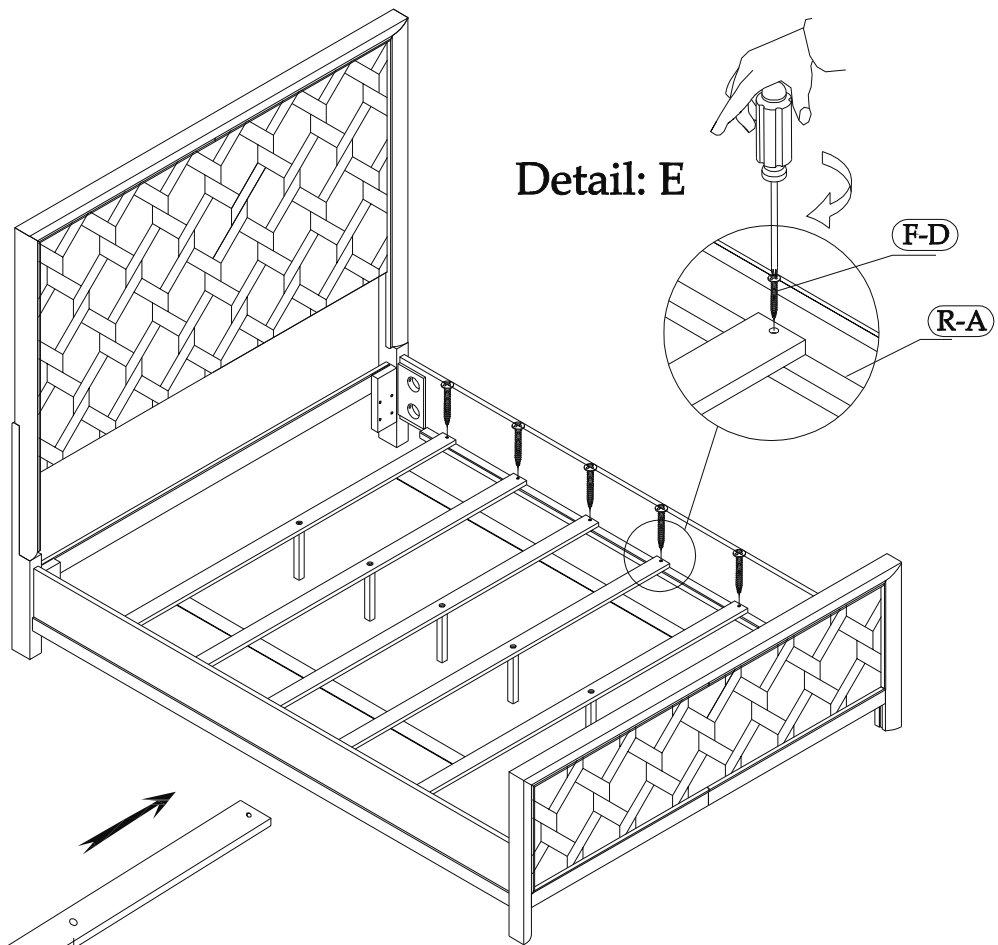
39470 QUEEN PANEL HEADBOARD
 39471 QUEEN PANEL FOOTBOARD
 39472 5/0-6/6 PANEL BED RAILS (FOR 5/0 BED)



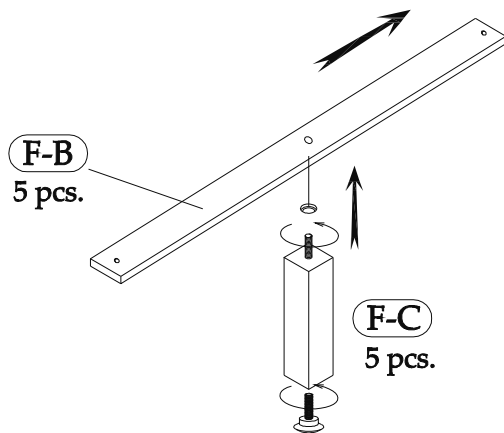


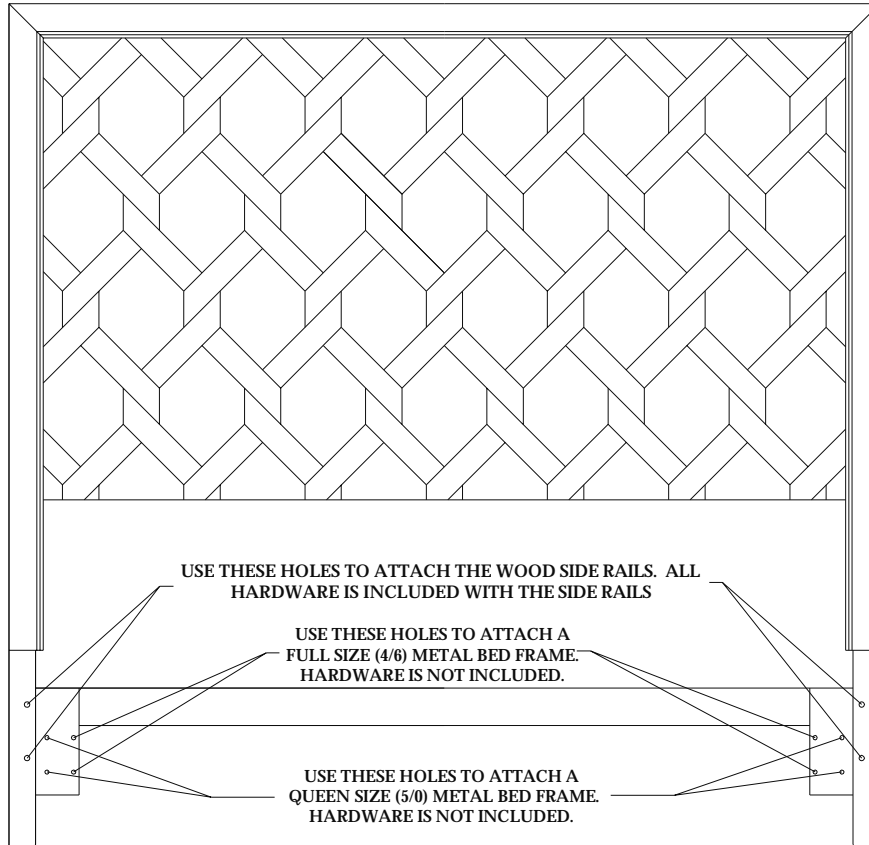
Detail: C





Detail: D





**The Headboard may be used alone
with a Queen or Full Size
Metal Bed Frame**