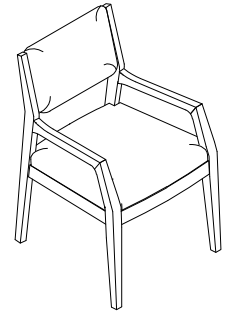


Warning :

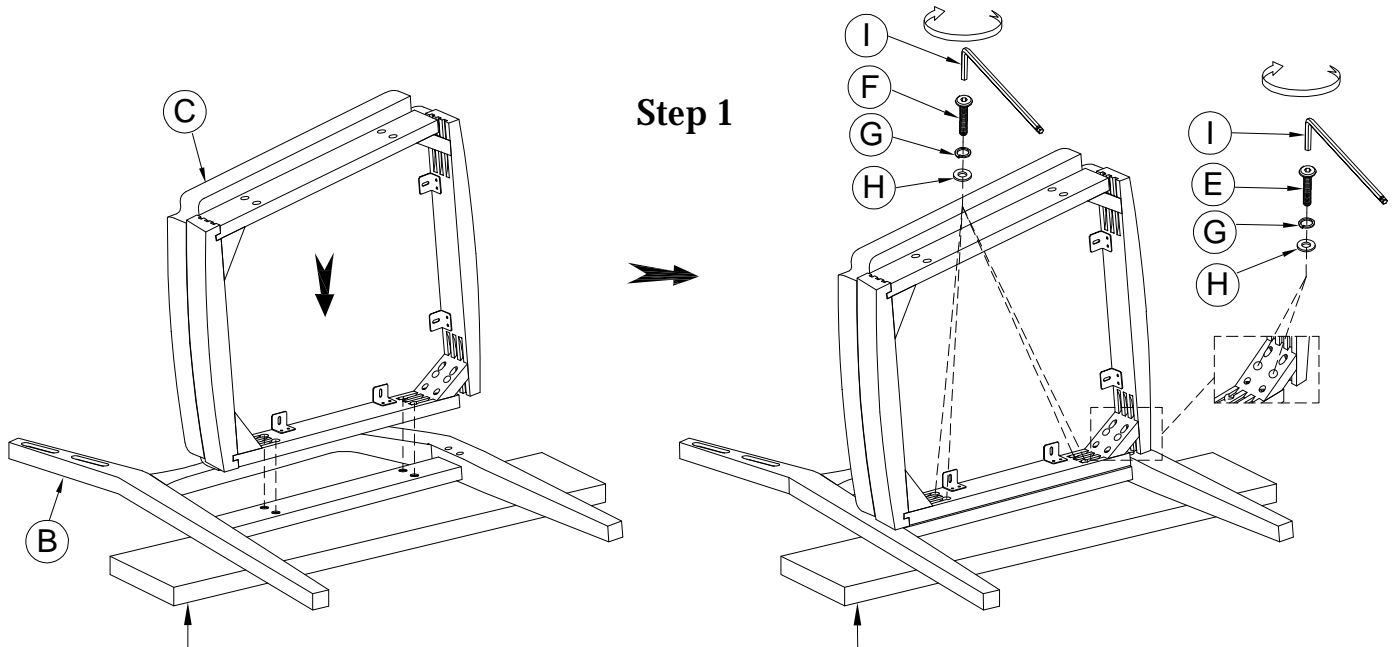
- Be sure to check all packing material carefully for small parts, which may have come loose inside the carton during shipment.
- To prevent possible scratches and damage, this furniture must be assembled on a soft surface such as a blanket or carpet.



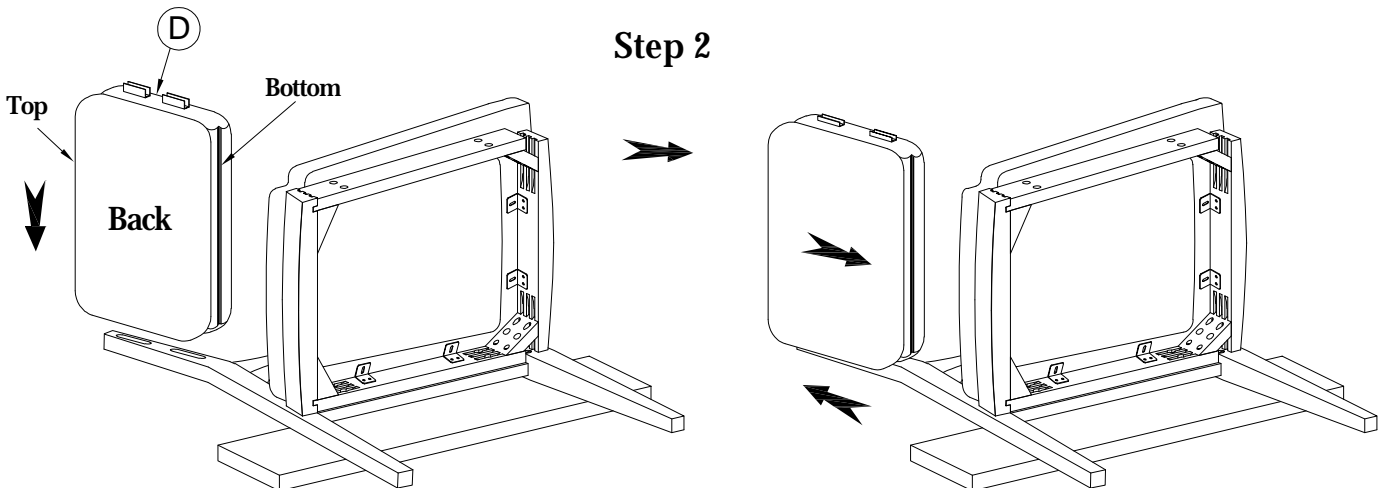
39358
Uph Arm Chair 2in

Components and Hardware List

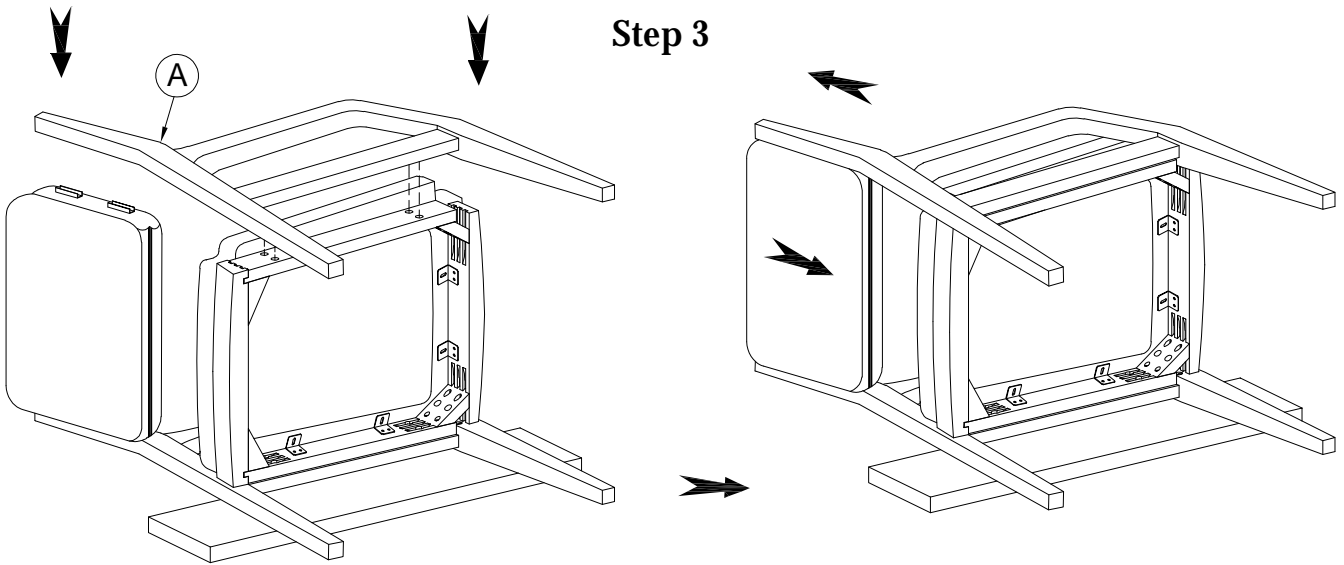
Left Chair Side	Right Chair Side	Seat Frame	Chair Back	
1 pc.	1 pc.	1 pc.	1 pc.	
Ø5/16" x 2-3/4" Allen Head Bolt	Ø5/16" x 1-1/2" Allen Head Bolt	Ø5/16" Spring Washer	Ø5/16" x Ø19mm Flat Washer	4 mm Allen Key
4 pcs.	8 pcs.	12 pcs.	12 pcs.	1 pc.



Attention : When attaching the seat frame, use a piece of flat Styrofoam from the packaging, placing it under the side assembly to assist in creating a gap between the floor and the seat cushion. This will allow the seat frame to properly tighten to the end assembly.



Step 3



Step 4

Complete

