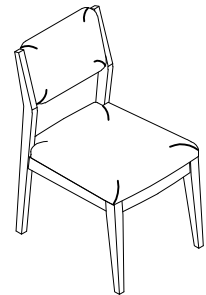


**Warning :**

- Be sure to check all packing material carefully for small parts, which may have come loose inside the carton during shipment.
- To prevent possible scratches and damage, this furniture must be assembled on a soft surface such as a blanket or carpet.

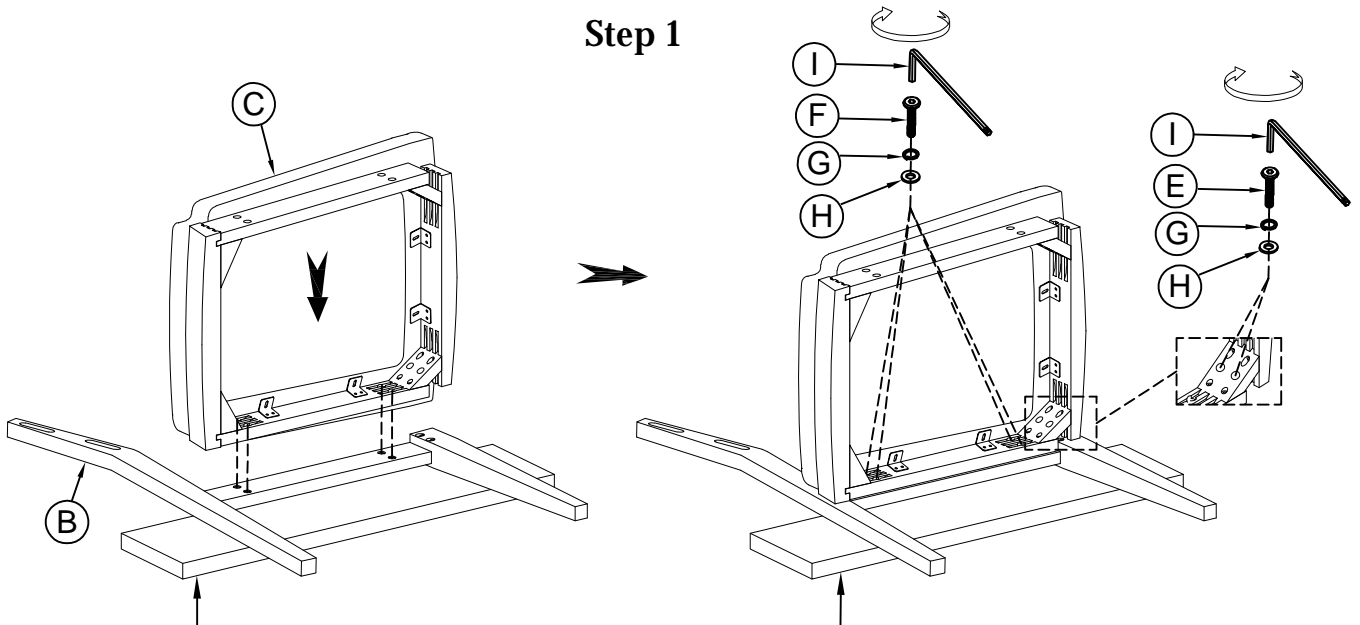


39357  
Uph Side Chair 2in

**Components and Hardware List**

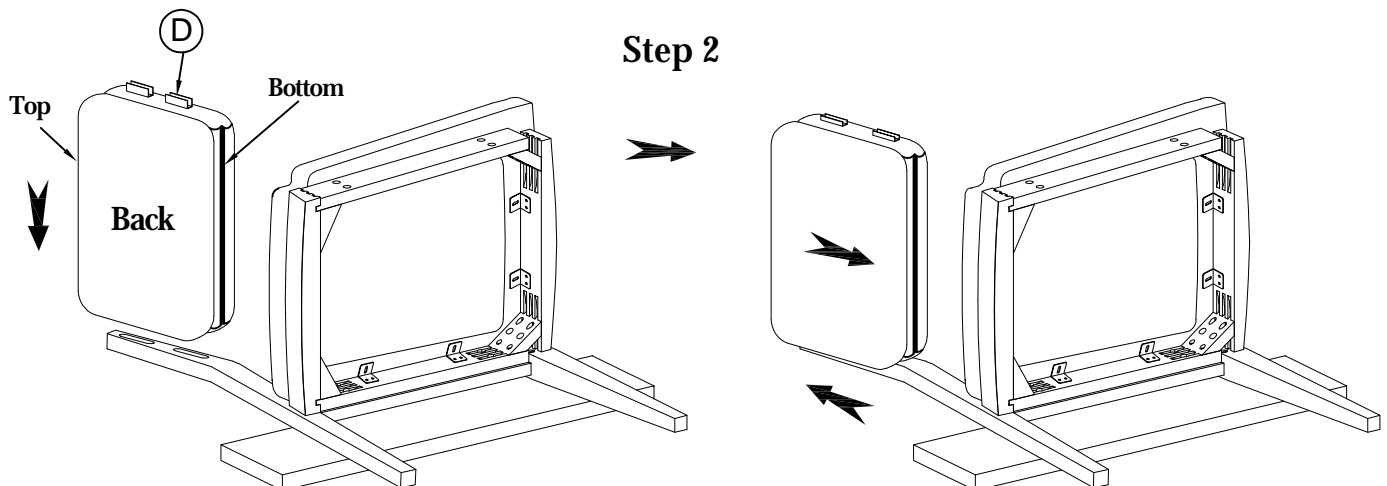
Left Chair Side	Right Chair Side	Seat Frame	Chair Back	
1 pc.	1 pc.	1 pc.	1 pc.	
4 pcs.	8 pcs.	12 pcs.	12 pcs.	1 pc.

**Step 1**

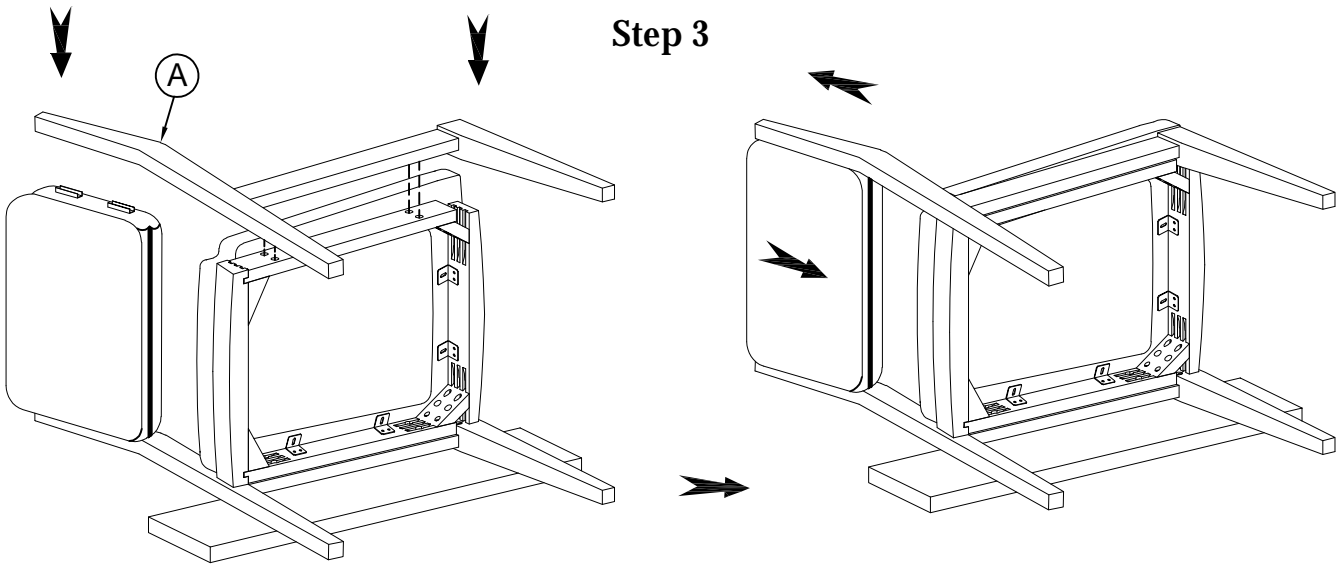


**Attention :** When attaching the seat frame, use a piece of flat Styrofoam from the packaging, placing it under the side assembly to assist in creating a gap between the floor and the seat cushion. This will allow the seat frame to properly tighten to the end assembly.

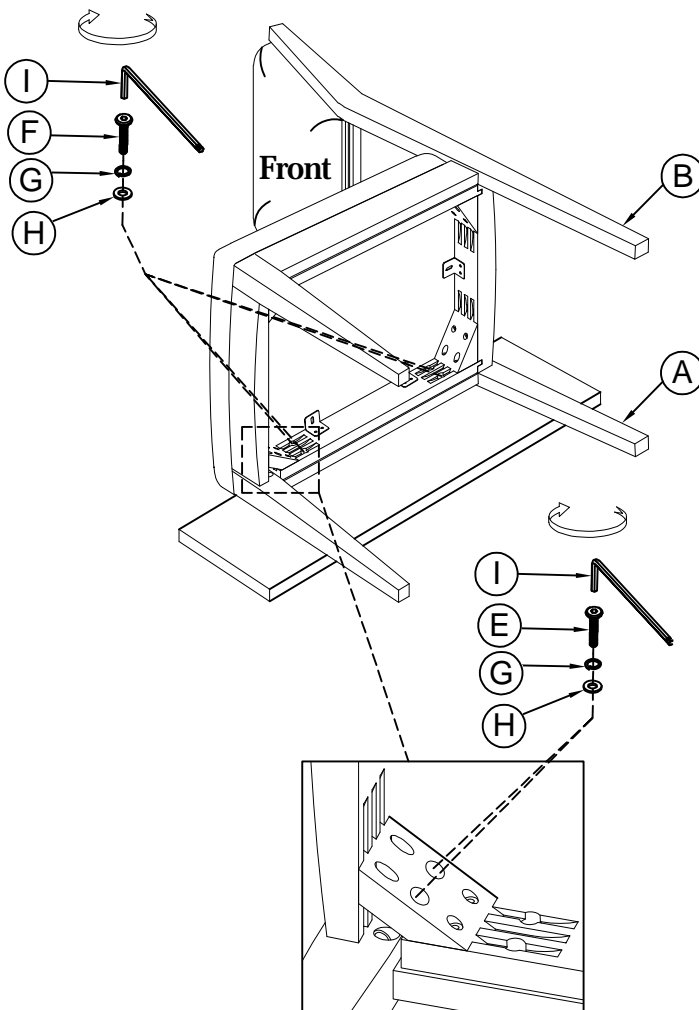
**Step 2**



Step 3



Step 4



Complete

