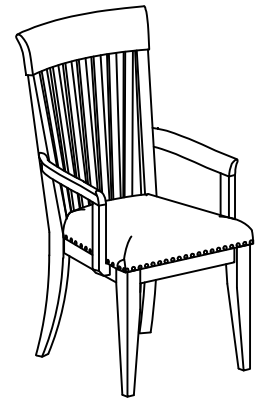


Warning :

- Be sure to check all packing material carefully for small parts, which may have come loose inside the carton during shipment.
- To prevent possible scratches and damage, this furniture must be assembled on a soft surface such as a blanket or carpet.

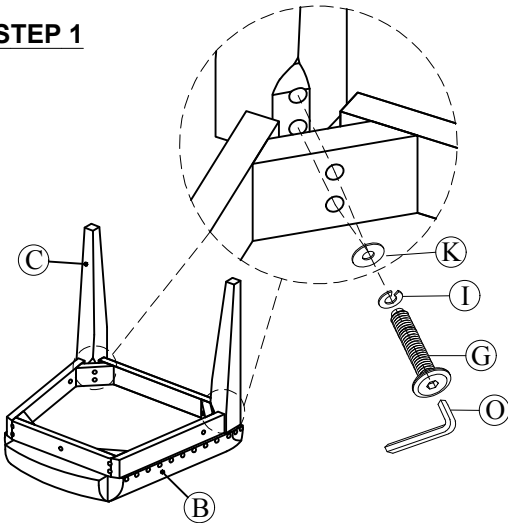


38258
Uph Slat Back Arm Chair

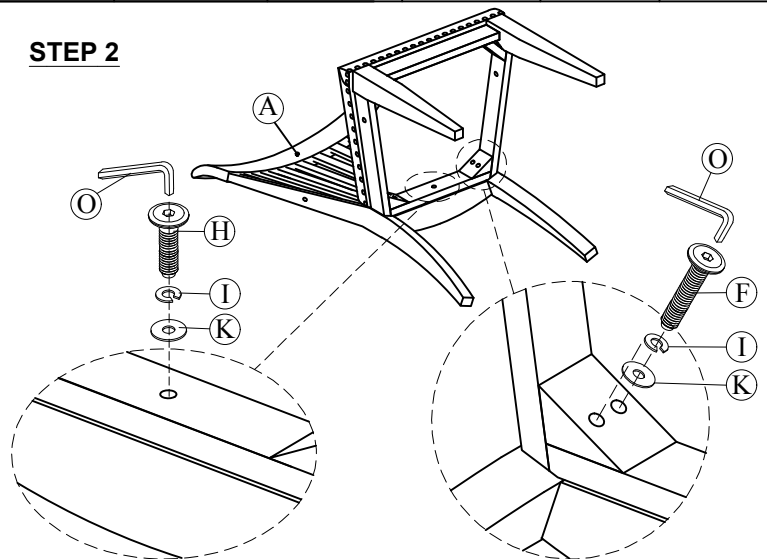
Components and Hardware List

<p>Chair Back</p> <p>(A) 1 PC.</p>	<p>Seat Frame</p> <p>(B) 1 PC.</p>	<p>Front Leg</p> <p>(C) 2 PCS.</p>	<p>Arm Assembly (Left)</p> <p>(D) 1 PC.</p>	<p>Arm Assembly (Right)</p> <p>(E) 1 PC.</p>					
<p>Allen Head Bolt φ5/16"x 18 x 3"</p> <p>(F) 4 PCS.</p>	<p>Allen Head Bolt φ5/16"x 18 x 2"</p> <p>(G) 4 PCS.</p>	<p>Allen Head Bolt φ5/16"x18 x1-1/2"</p> <p>(H) 1 PC.</p>	<p>Spring Washer φ5/16"</p> <p>(I) 9 PCS.</p>	<p>Flat Washer φ5/16"x19mm</p> <p>(K) 9 PCS.</p>	<p>Allen Head Bolt φ1/4" x 20 x1-1/2"</p> <p>(L) 2 PCS.</p>	<p>Spring Washer φ1/4"</p> <p>(M) 2 PCS.</p>	<p>Flat Washer φ1/4"x19mm</p> <p>(N) 2 PCS.</p>	<p>4mm Allen Key</p> <p>(O) 1 PCS.</p>	<p>Screw φ8x2"</p> <p>(P) 2 PCS.</p>

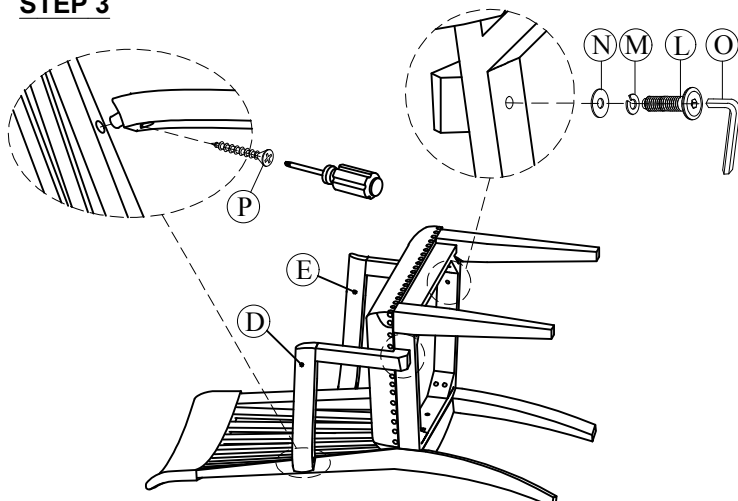
STEP 1



STEP 2



STEP 3



COMPLETE

