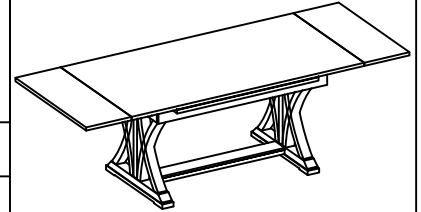


**Warning :**

- Be sure to check all packing material carefully for small parts, which may have come loose inside the carton during shipment.
- To prevent possible scratches and damage, this furniture **MUST BE ASSEMBLED BY TWO PEOPLE** on a soft surface such as a blanket or carpet.



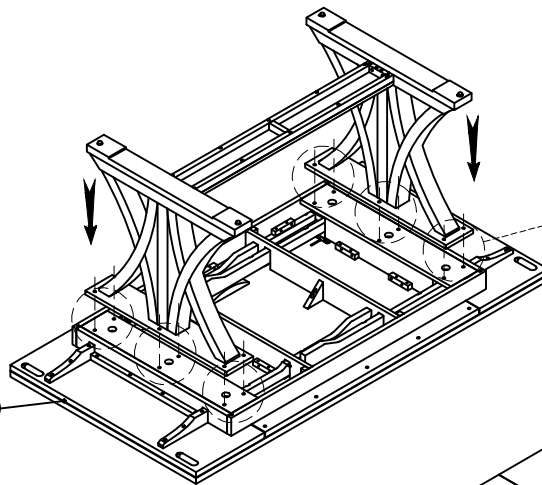
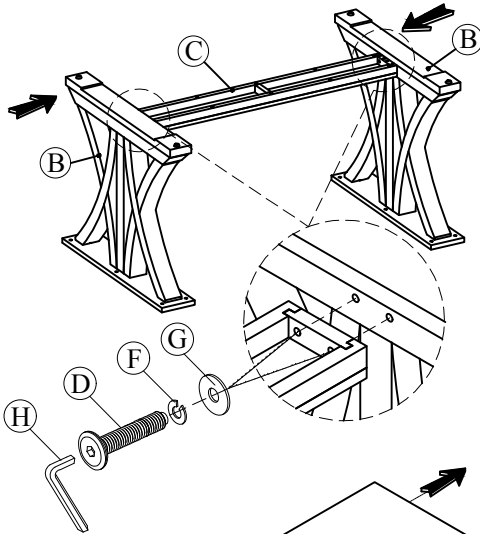
38250  
Trestle Dining Table

**Components and Hardware List**

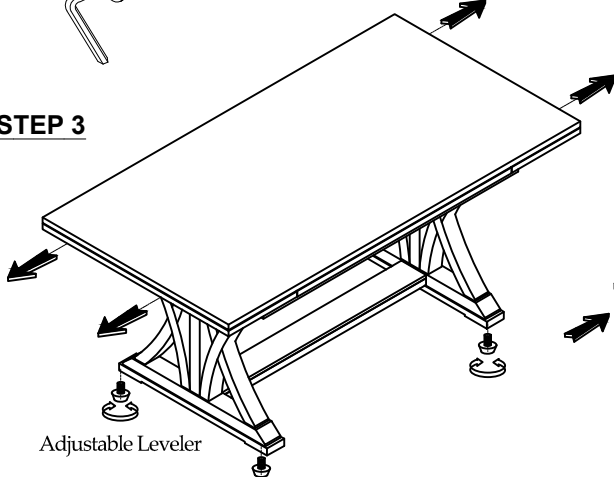
<p>Table Top</p> <p>(A) 1 PC.</p>	<p>Leg Frame</p> <p>(B) 2 PCS.</p>	<p>Bottom Stretcher</p> <p>(C) 1 PC.</p>	<p>Allen Head Bolt ø5/16"x 18 x 1-3/4"</p> <p>(D) 4 PCS.</p>
<p>Allen Head Bolt ø5/16"x 18 x 1-3/8"</p> <p>(E) 12 PCS.</p>	<p>Spring Washer ø5/16"</p> <p>(F) 16 PCS.</p>	<p>Flat Washer ø5/16"x19mm</p> <p>(G) 16 PCS.</p>	<p>5mm Allen Key</p> <p>(H) 1 PC.</p>

**STEP 1: Do not fully tighten the bolts.**

**STEP 2: Using the Allen key to tighten all bolts.**

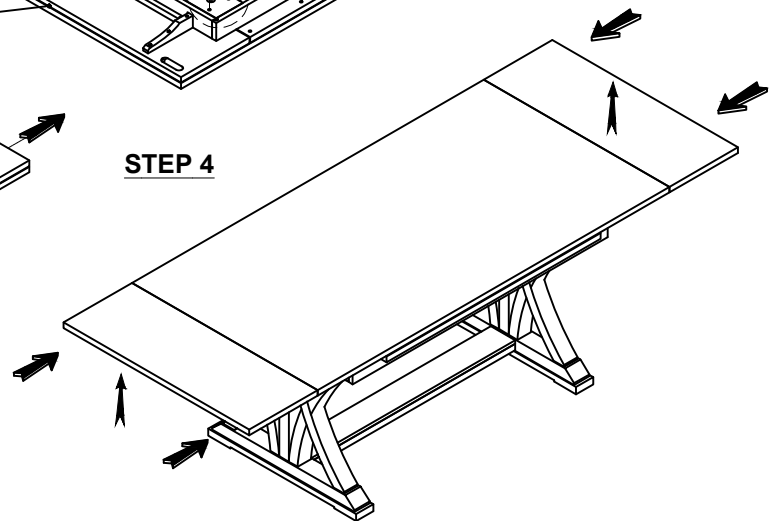


**STEP 3**



Adjustable Leveler

**STEP 4**



To position the table top extensions, grasp the extension by the finger grooves located under each extension and pull outward until the extension stops, lift the extension upward until the top surfaces are level, push inward until there is no gap between the top and extension.