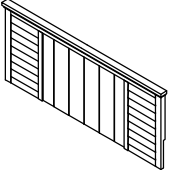

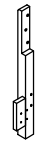
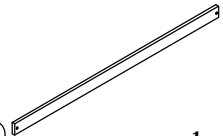







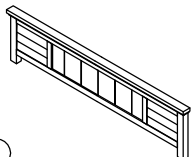
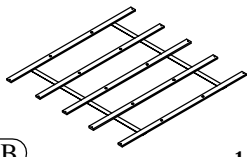
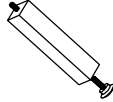
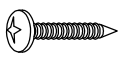
Warning :

- Be sure to check all packing material carefully for small parts, which may have come loose inside the carton during shipment.
- To prevent possible scratches and damage, this furniture **MUST BE ASSEMBLED BY TWO PEOPLE** on a soft surface such as a blanket or carpet.

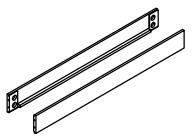


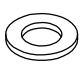

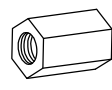

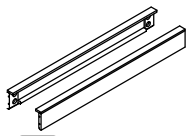


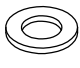

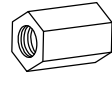

Hardware and Parts packed with the Headboard

<p>Louver Headboard 37286</p>  <p>(H-A) 1 pc.</p>	<p>Headboard Post Left</p>  <p>(H-B) 1 pc.</p>	<p>Headboard Post Right</p>  <p>(H-C) 1 pc.</p>	<p>Headboard stretcher</p>  <p>(H-D) 1 pc.</p>	
<p>ø5/16"-1- 1/2" Allen Head Bolt</p>  <p>(H-E) 2 pcs.</p>	<p>ø5/16"-1- 3/4" Allen Head Bolt</p>  <p>(H-F) 6 pcs.</p>	<p>ø5/16" Spring Washer</p>  <p>(H-G) 8 pcs.</p>	<p>ø5/16" x 19*2mm Flat Washer</p>  <p>(H-H) 8 pcs.</p>	<p>5mm Allen Key</p>  <p>(H-I) 1 pc.</p>

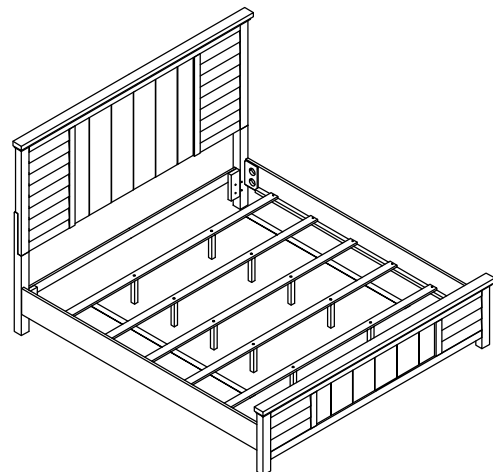
Hardware and Parts packed with the Footboard

<p>Louver Footboard 37287</p>  <p>(F-A) 1 pc.</p>	<p>Wood Slats 77-1/4" long</p>  <p>(F-B) 1 Set.</p>	<p>Support Leg (D) 7-1/2" x (W)1- 1/4"(H) 1- 1/4"</p>  <p>(F-C) 10 pcs.</p>	<p>#8 x 1" Wood Screw</p>  <p>(F-D) 10 pcs.</p>
---	--	--	---

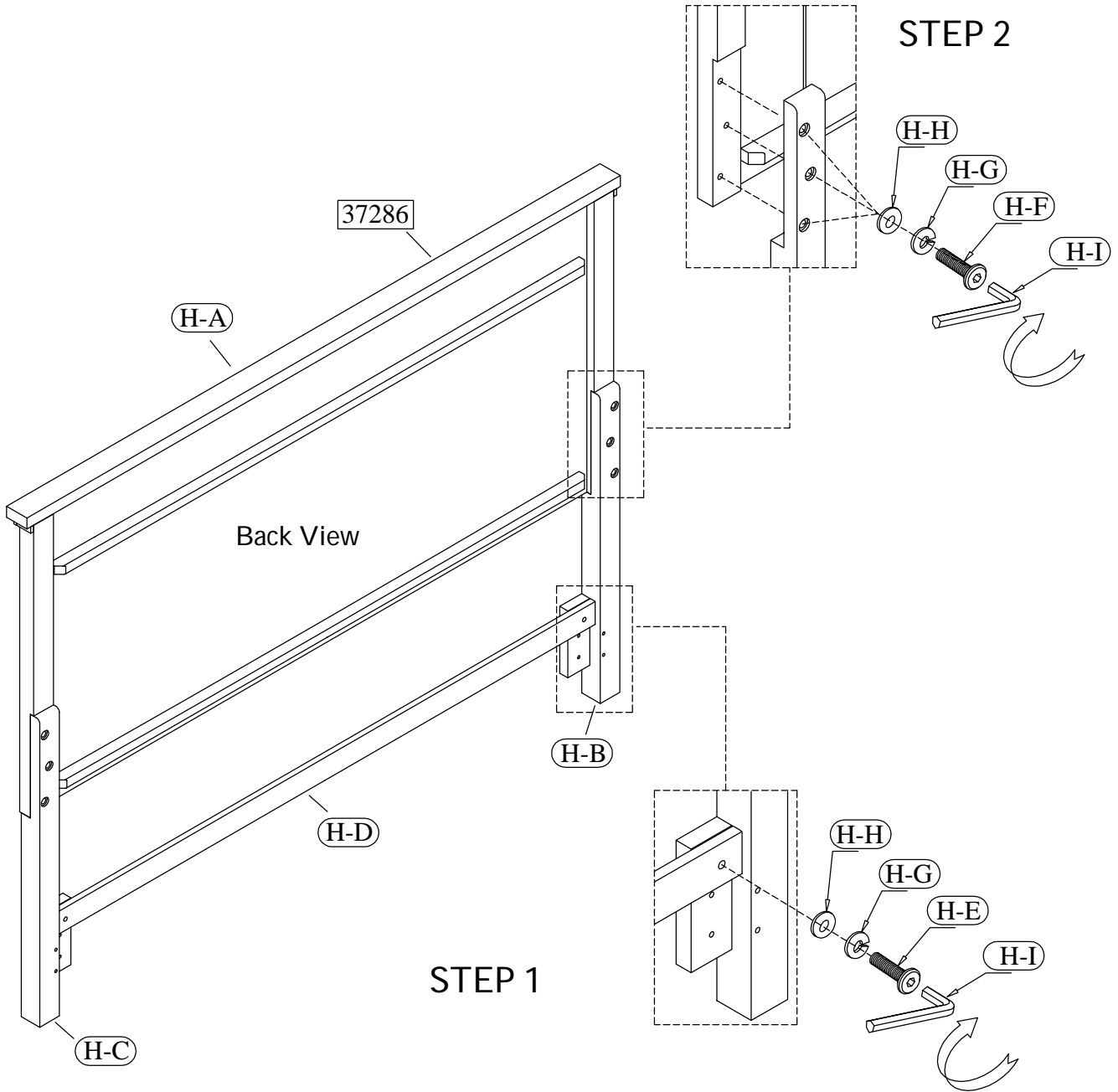
Hardware and Parts packed with the Bed Rail

<p>Bed Rails 37272</p>  <p>(R-A1) 2 pcs.</p>	<p>ø5/16 x 3-1/2" All-Thread Bolt</p>  <p>(R-B) 8 pcs.</p>	<p>ø5/16" Curved Washer</p>  <p>(R-C) 8 pcs.</p>	<p>ø5/16" x 16*2mm Flat Washer</p>  <p>(R-D) 8 pcs.</p>	<p>ø5/16" Spring Washer</p>  <p>(R-E) 8 pcs.</p>	<p>ø5/16 x L17 Nut</p>  <p>(R-F) 8 pcs.</p>	<p>Open Wrench 12mm</p>  <p>(R-G) 1 pc.</p>
<p>Bed Rails 37282</p>  <p>(R-A2) 2 pcs.</p>	<p>ø5/16 x 3-1/2" All-Thread Bolt</p>  <p>(R-B) 8 pcs.</p>	<p>ø5/16" Curved Washer</p>  <p>(R-C) 8 pcs.</p>	<p>ø5/16" x 16*2mm Flat Washer</p>  <p>(R-D) 8 pcs.</p>	<p>ø5/16" Spring Washer</p>  <p>(R-E) 8 pcs.</p>	<p>ø5/16 x L17 Nut</p>  <p>(R-F) 8 pcs.</p>	<p>Open Wrench 12mm</p>  <p>(R-G) 1 pc.</p>

- 6/0-6/6 King Bed**
37286 --6/0-6/6 Louver Headboard
37287 --6/6 Louver Footboard
37272 --5/0-6/6 Panel Bed Rails
37282 --6/0 Panel Bed Rails

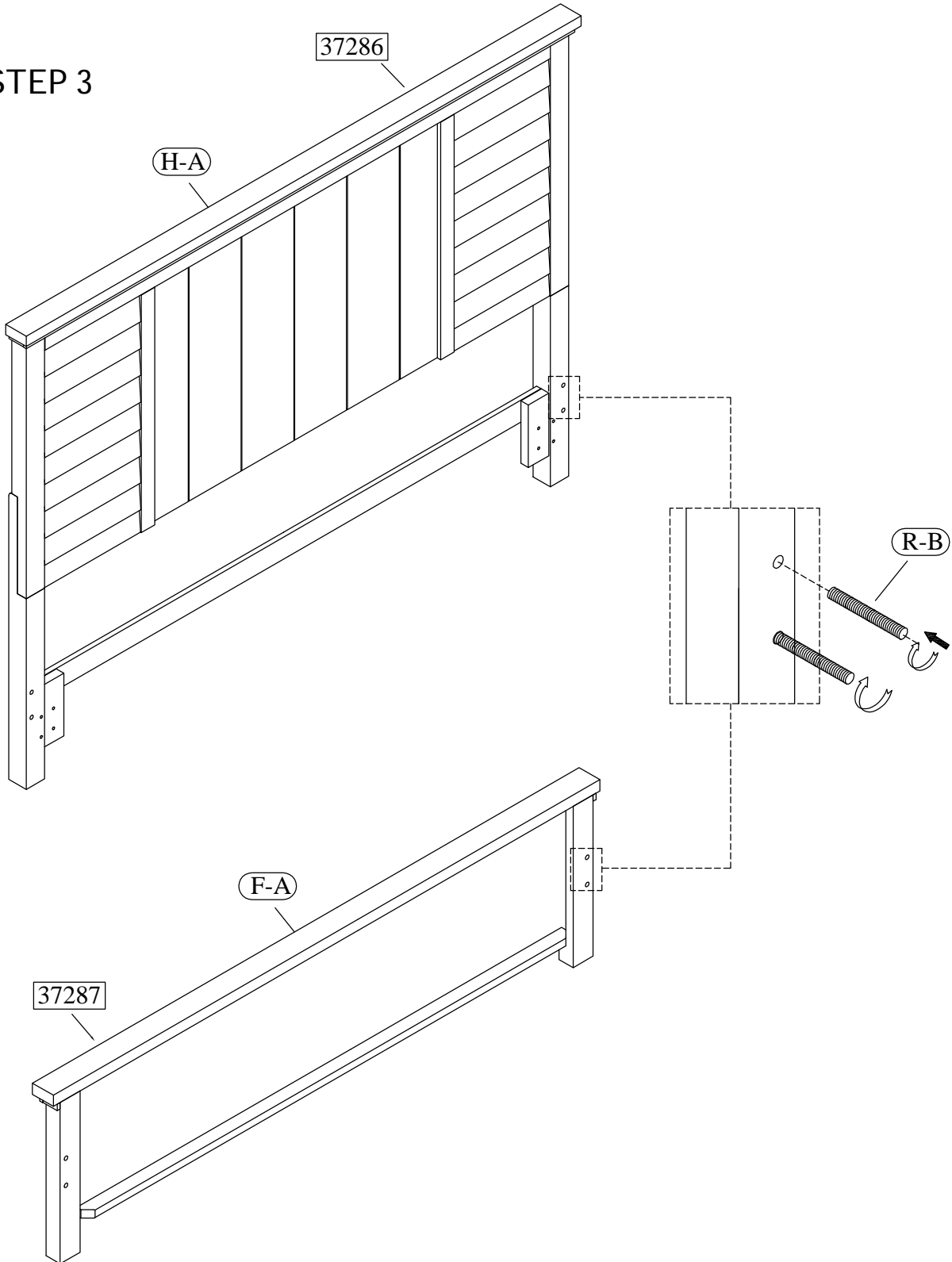


6/0-6/6 King Bed
37286 --6/0-6/6 Louver Headboard

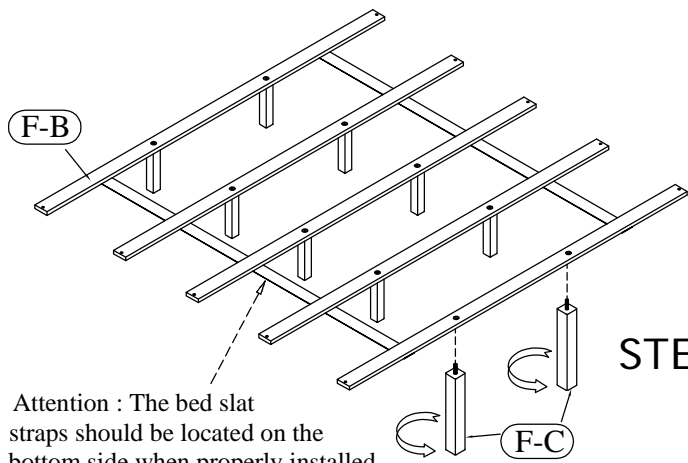
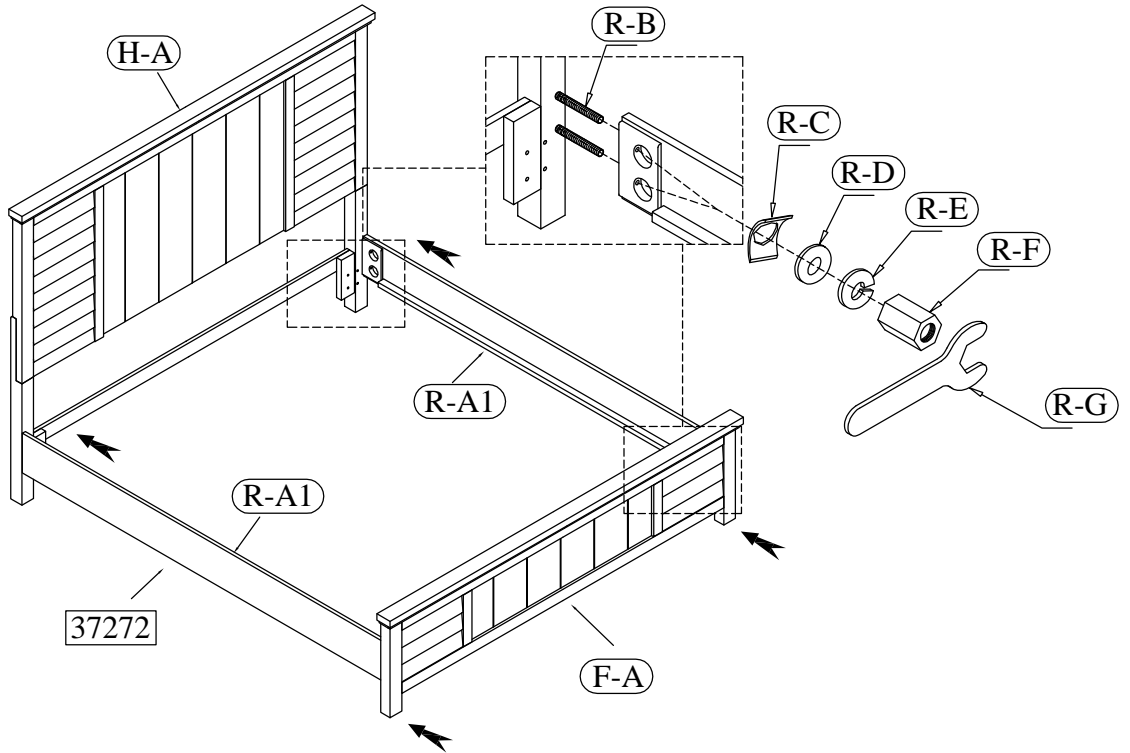


6/0-6/6 King Bed
37286 --6/0-6/6 Louver Headboard
37287 --6/6 Louver Footboard

STEP 3

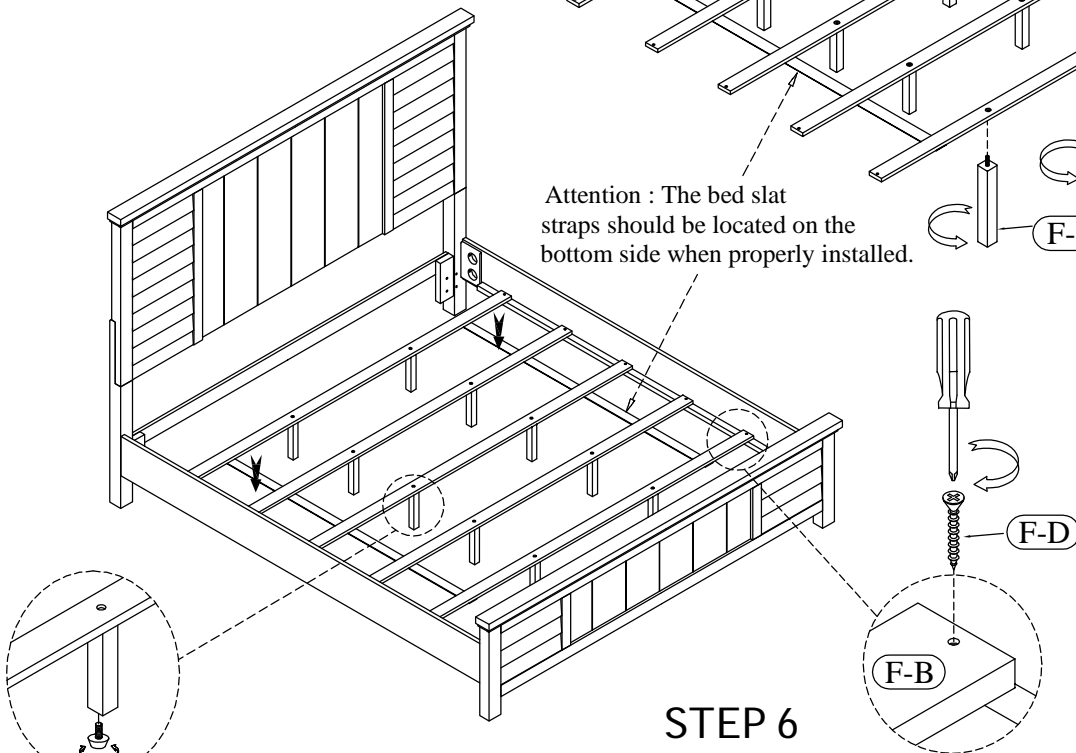


STEP 4



Attention : The bed slat straps should be located on the bottom side when properly installed.

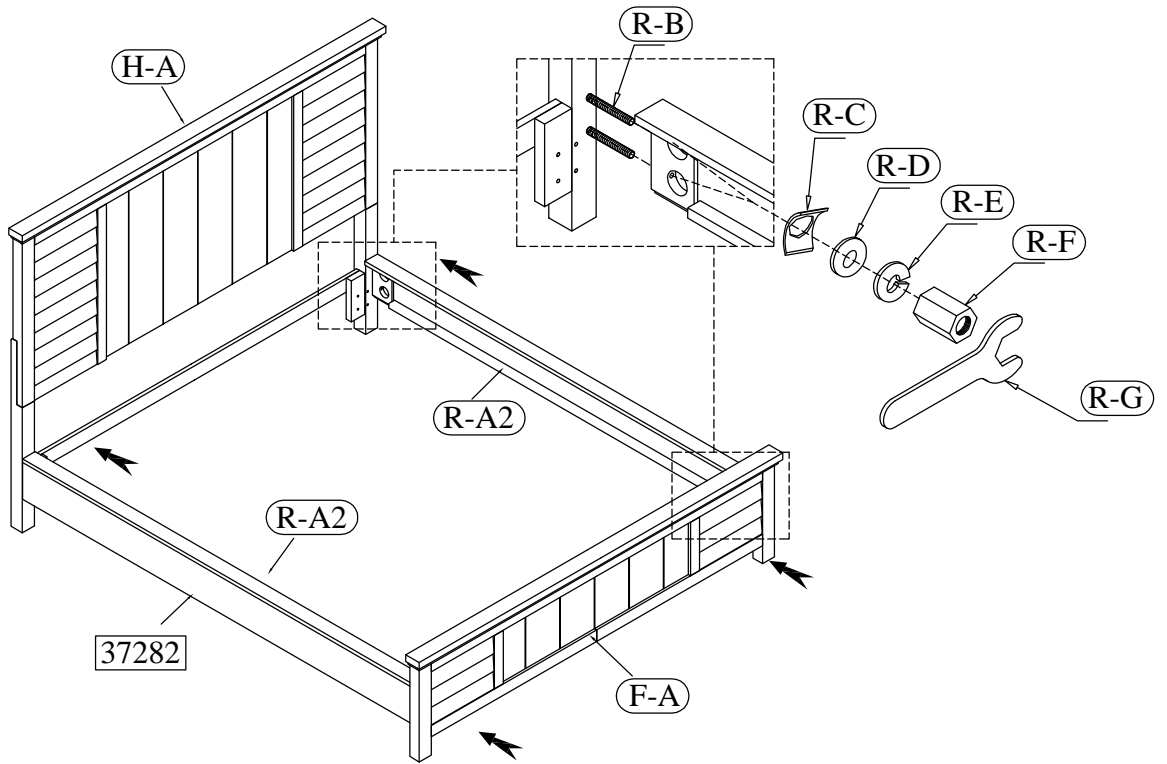
STEP 5



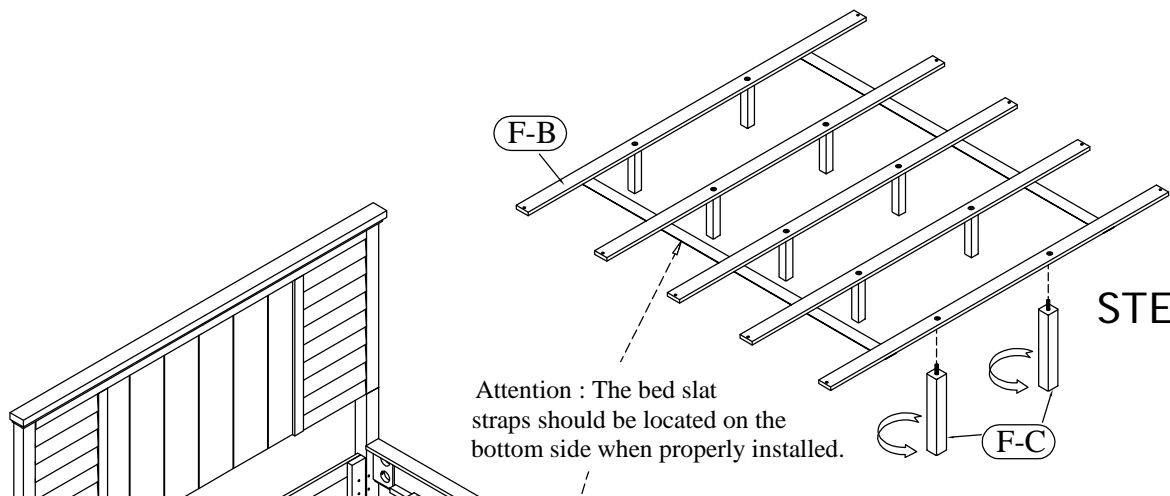
STEP 6

Adjustable Leveler

STEP 7

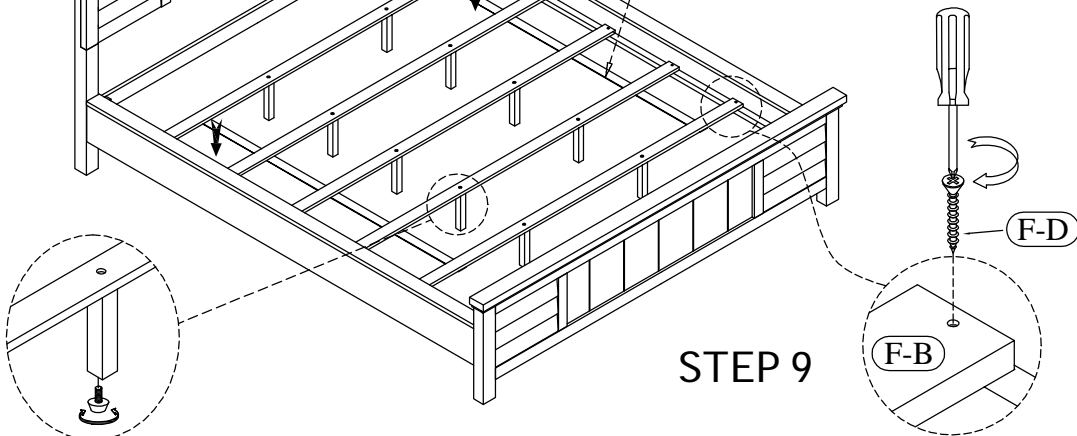


STEP 8



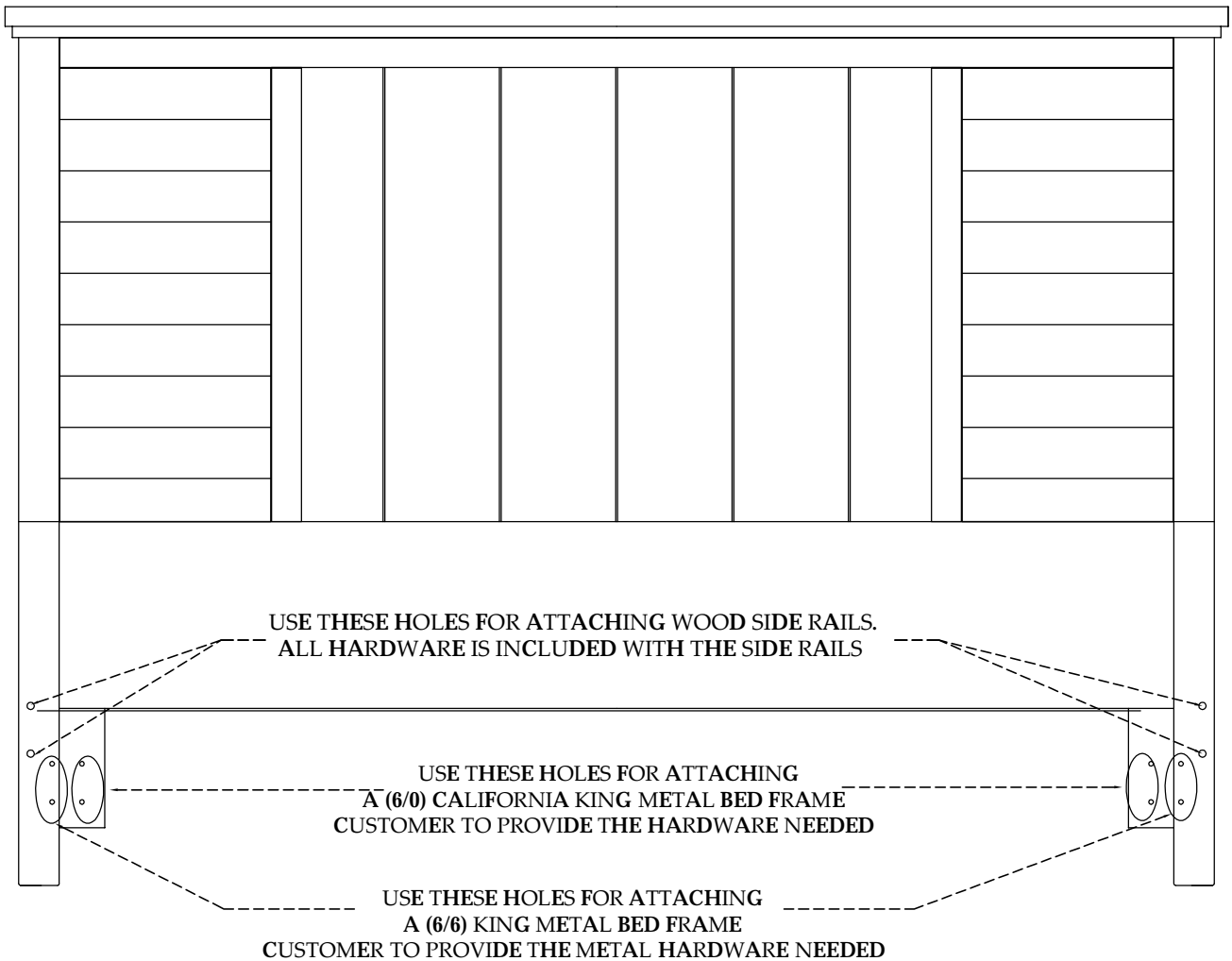
Attention : The bed slat straps should be located on the bottom side when properly installed.

STEP 9



Adjustable Leveler

6/0-6/6 King Bed
37286 --6/0-6/6 Louver Headboard



**THE HEADBOARD MAY BE USE ALONE WITH
A CALIFORNIA KING OR A STANDARD KING
SIZE METAL BED FRAME.**