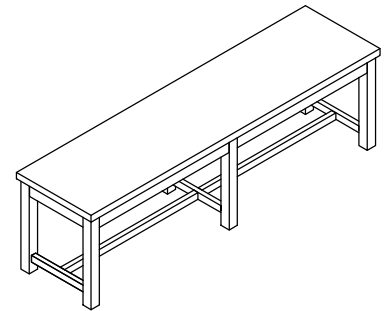


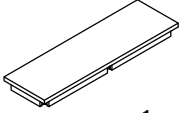






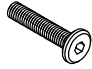


Warning :

- Be sure to check all packing material carefully for small parts, which may have come loose inside the carton during shipment.
- To prevent possible scratches and damage, this furniture **MUST BE ASSEMBLED BY TWO PEOPLE** on a soft surface such as a blanket or carpet.

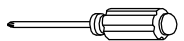


37259 - Dining Bench

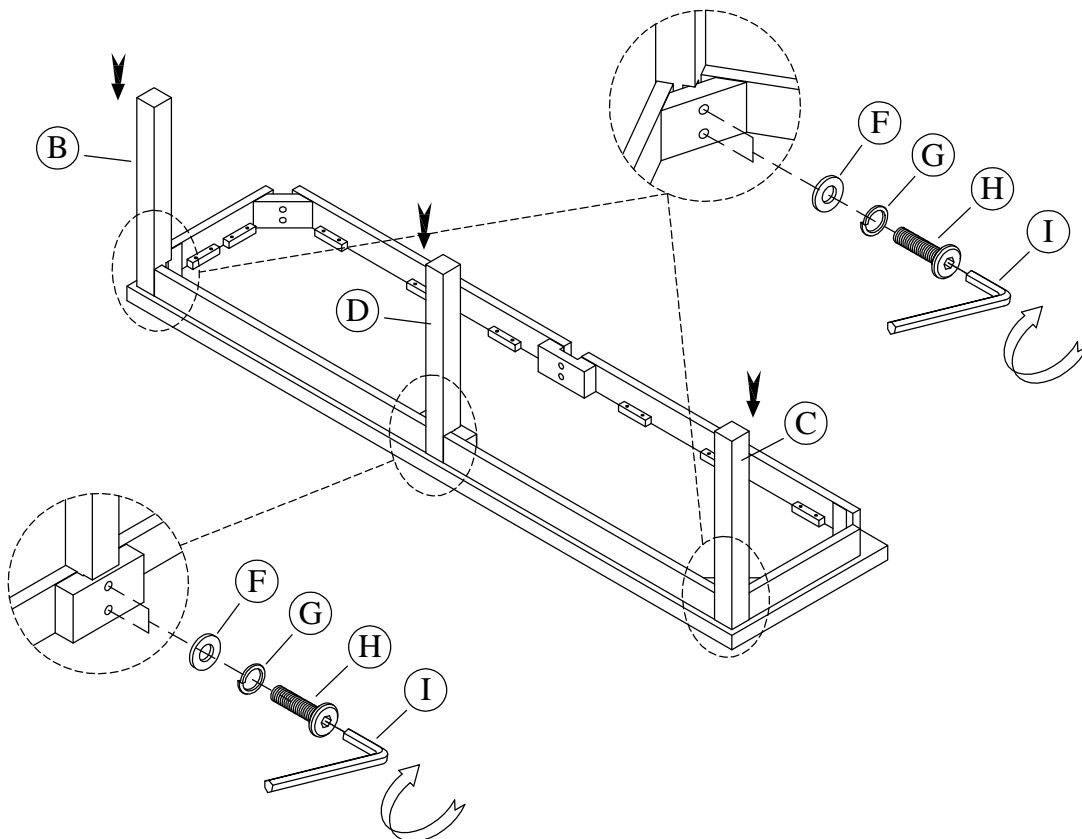
Components and Hardware List

<p>Bench Seat</p>  <p>A 1 pc.</p>	<p>Leg (Left)</p>  <p>B 2 pcs.</p>	<p>Leg (Right)</p>  <p>C 2 pcs.</p>	<p>Middle Leg</p>  <p>D 2 pcs.</p>		
<p>Bottom Stretcher</p>  <p>E 1 pc.</p>	<p>Flat Washer 5/16" x 16*2mm</p>  <p>F 12 pcs.</p>	<p>Spring Washer 5/16"</p>  <p>G 12 pcs.</p>	<p>Allen Head Bolt 5/16"x 18x1- 3/4"</p>  <p>H 12 pcs.</p>	<p>5mm Allen Key</p>  <p>I 1 pc.</p>	<p>#8x1-1/4 Screw</p>  <p>J 6 pcs.</p>

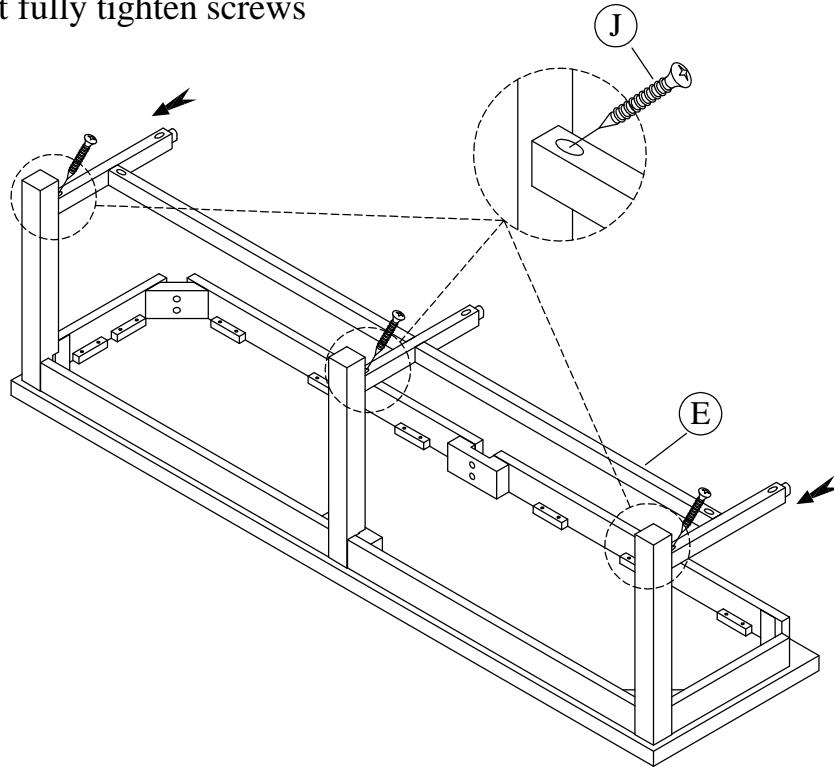
Screw Driver
not included



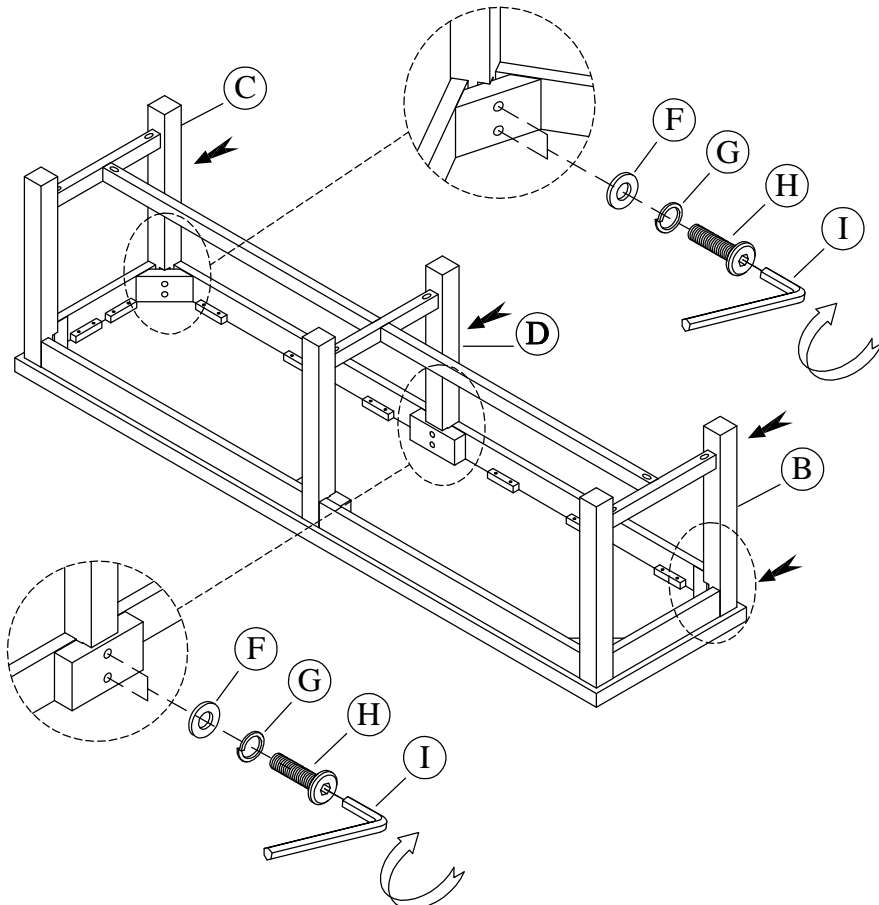
STEP 1: Do not fully tighten bolts



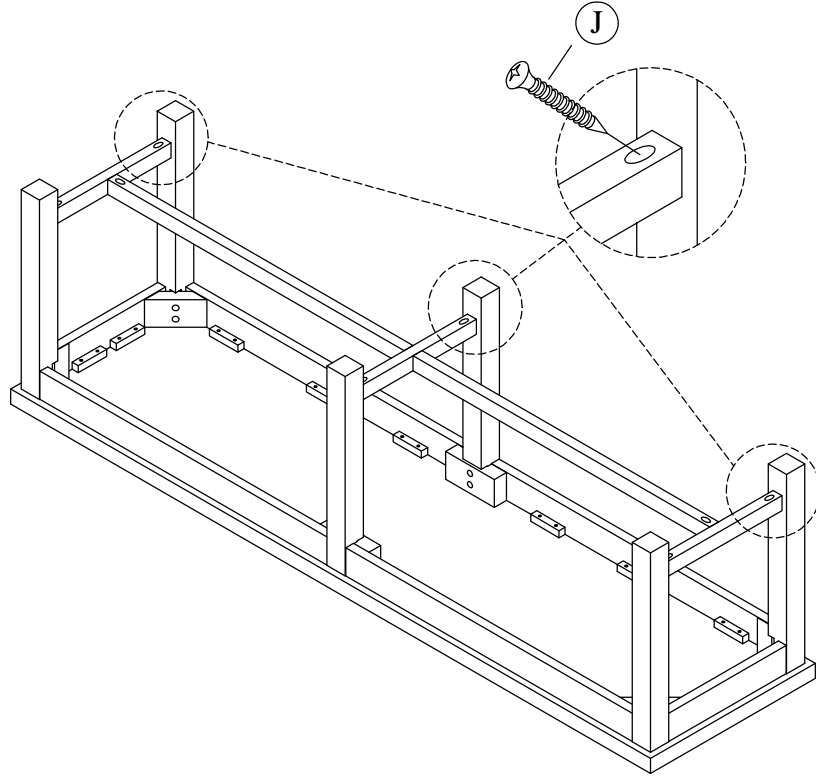
STEP 2: Do not fully tighten screws



STEP 3: Do not fully tighten bolts



STEP 4: Using the Allen key and a Phillips head screw driver, tighten all bolts, then tighten all screws.



Complete

