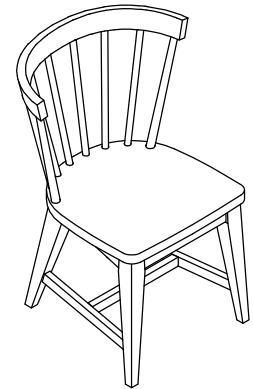


Warning :

- Be sure to check all packing material carefully for small parts, which may have come loose inside the carton during shipment.
- To prevent possible scratches and damage, this furniture must be assembled on a soft surface such as a blanket or carpet.

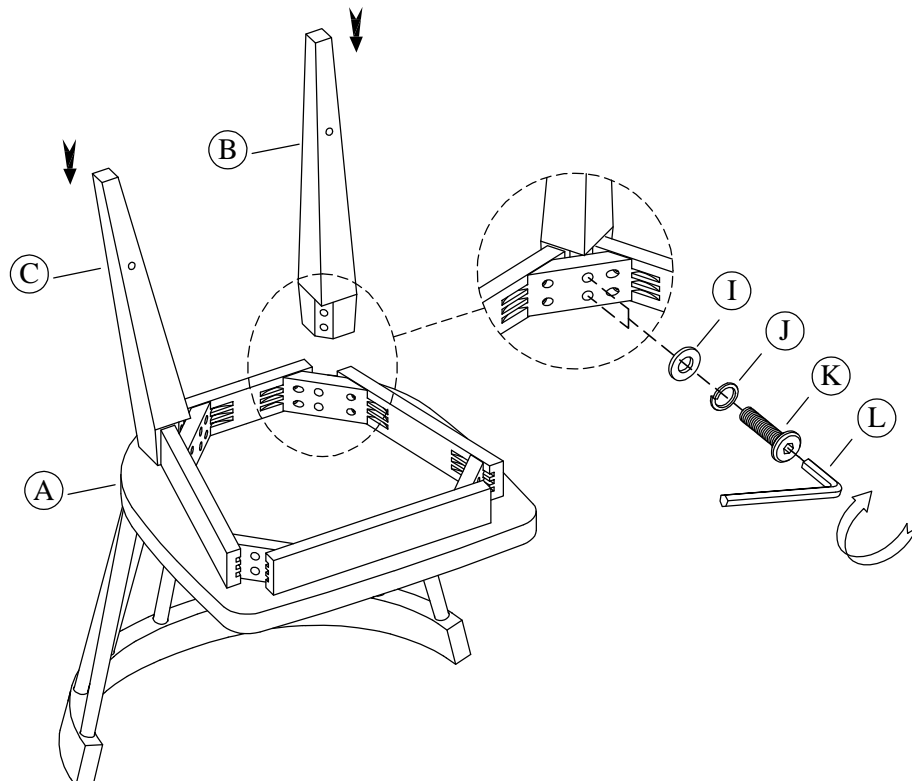


37255 - Windsor Side Chair 2in

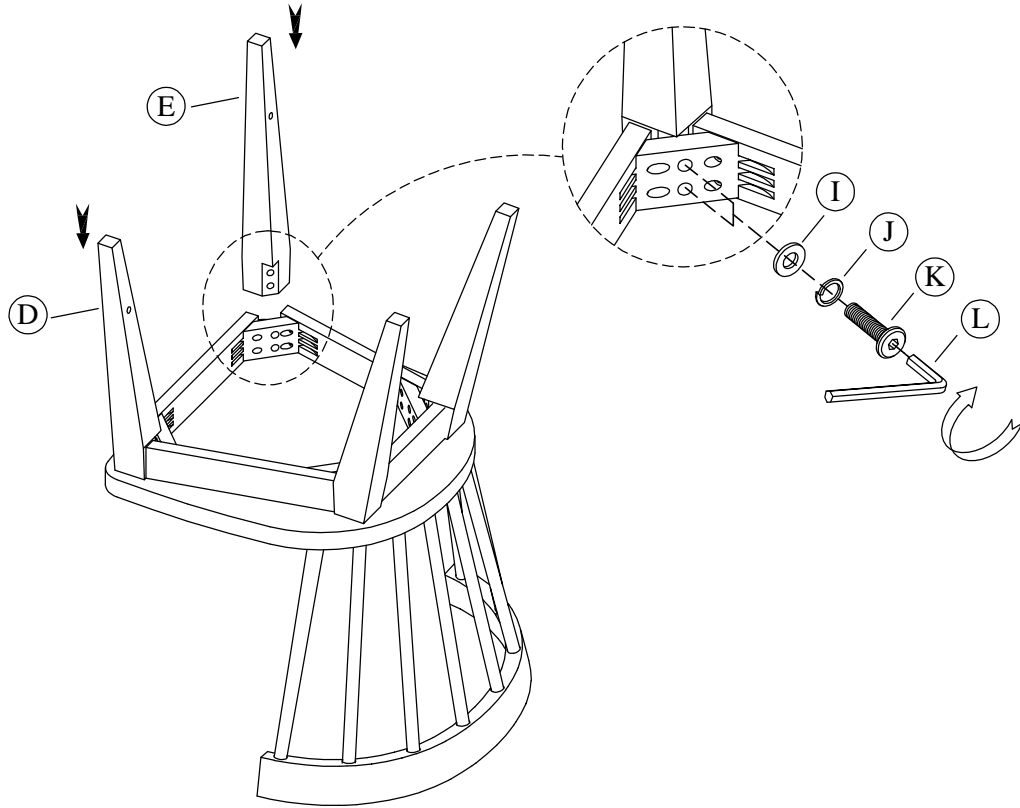
Components and Hardware List

Chair Seat & Back	Back Leg Left	Back Leg Right	Front Leg Left	Front Leg Right		
(A) 1 pc.	(B) 1 pc.	(C) 1 pc.	(D) 1 pc.	(E) 1 pc.		
Side Stretcher Left (F) 1 pc.	Side Stretcher Right (G) 1 pc.	Center Stretcher (H) 1 pc.	Flat Washer 5/16" x 19*2mm (I) 8 pcs.	Spring Washer 5/16" (J) 8 pcs.	Allen Head Bolt 5/16"x 18x2- 1/4" (K) 8 pcs.	5mm Allen Key (L) 1 pc.
Wood Screw #8 x 1" (M) 2 pcs.	Wood Screw #8 x 1-1/4" (N) 4 pcs.	Screw Driver not included 				

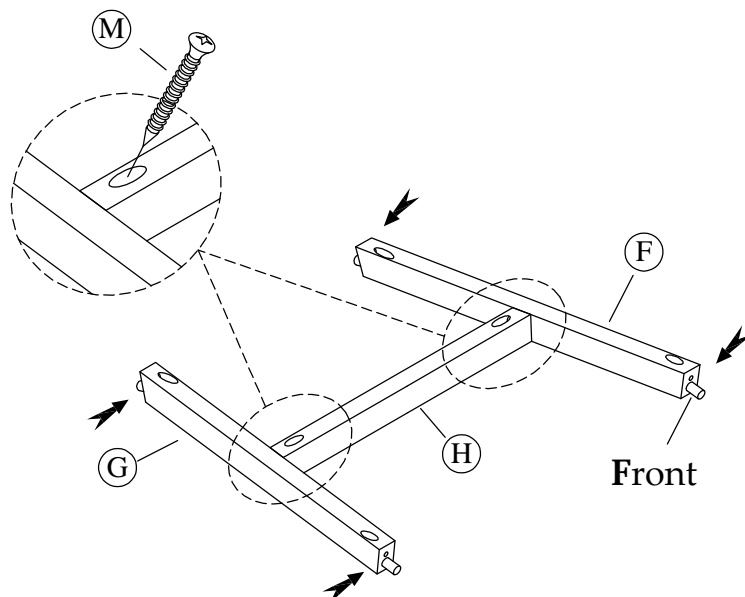
STEP 1: Do not fully tighten the bolts



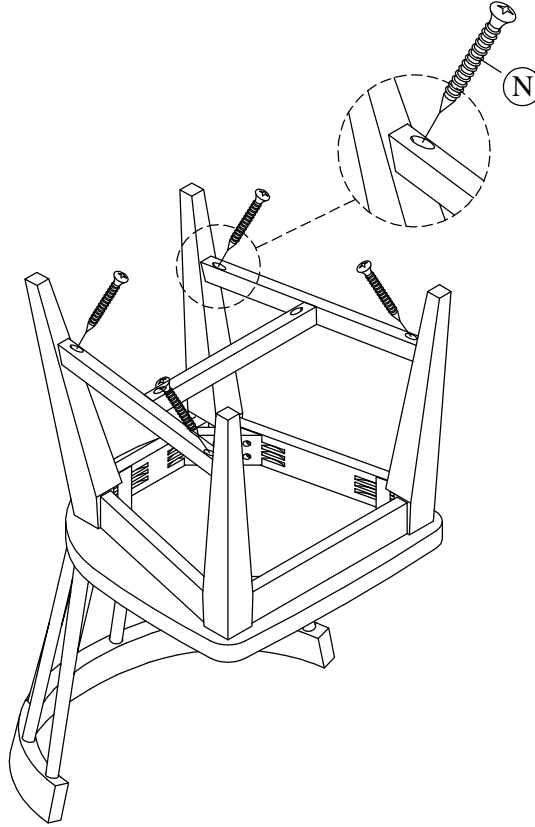
STEP 2: Do not fully tighten the bolts



STEP 3: Do not fully tighten the Screws



STEP 4: Using the Allen key and a Phillips head screw driver, tighten all bolts, then tighten all screws.



Complete

