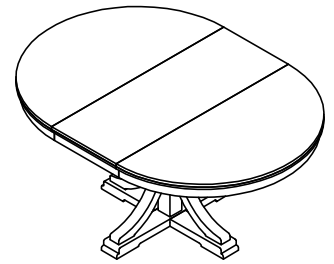


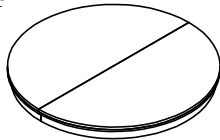
Warning :

- Be sure to check all packing material carefully for small parts, which may have come loose inside the carton during shipment.
- To prevent possible scratches and damage, this furniture **MUST BE ASSEMBLED BY TWO PEOPLE** on a soft surface such as a blanket or carpet.



Components packed with the # 37251 Top

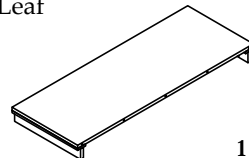
Table Top



(A)

1 pc.

Table Leaf



(B)

1 pc.

37251

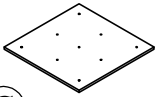
Round Dining Table Top

37252

Round Dining Table Base

Components & Hardware packed with the # 37252 Base

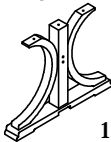
Bridge Panel



(C)

1 pc.

Center Leg Assembly



(D)

1 pc.

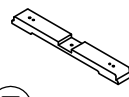
Outside Leg



(E)

2 pcs.

Base Leg



(F)

1 pc.

Flat Washer
5/16" x 19*2mm



(G)

12 pcs.

Spring Washer
5/16"



(H)

12 pcs.

Allen Head Bolt
5/16" x 18x2- 3/4"



(I)

2 pcs.

Allen Head Bolt
5/16" x 18x1- 1/4"



(J)

1 pc.

Allen Head Bolt
5/16" x 18x1- 3/4"



(K)

9 pcs.

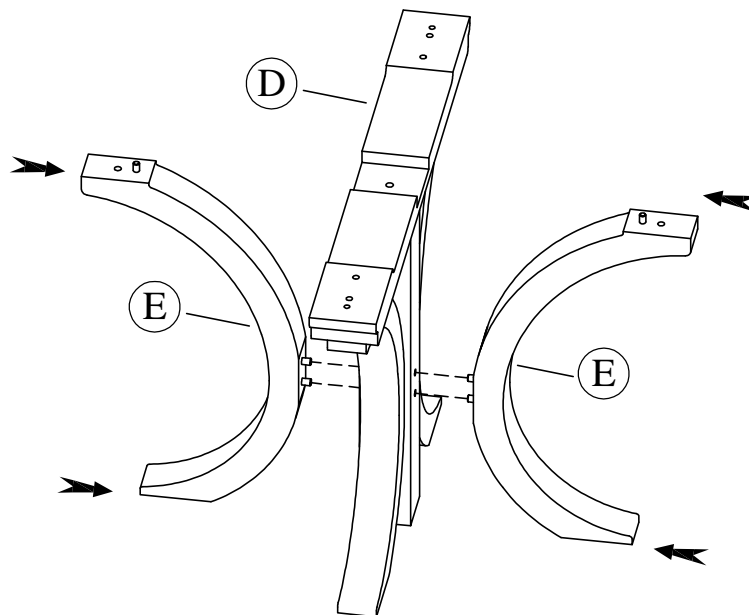
5mm Allen Key



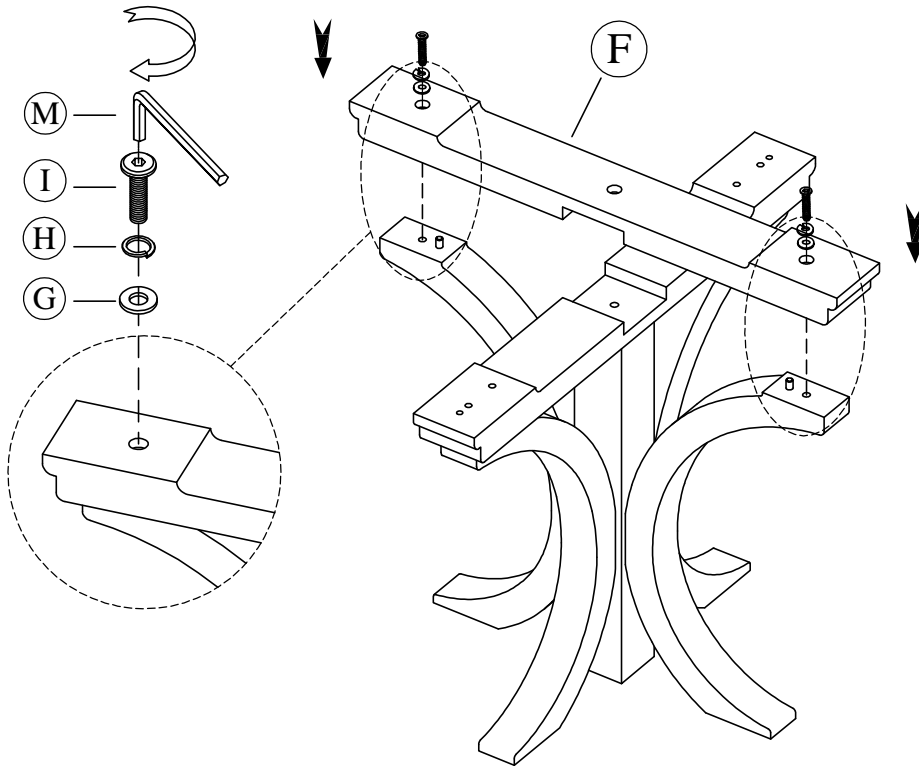
(M)

1 pc.

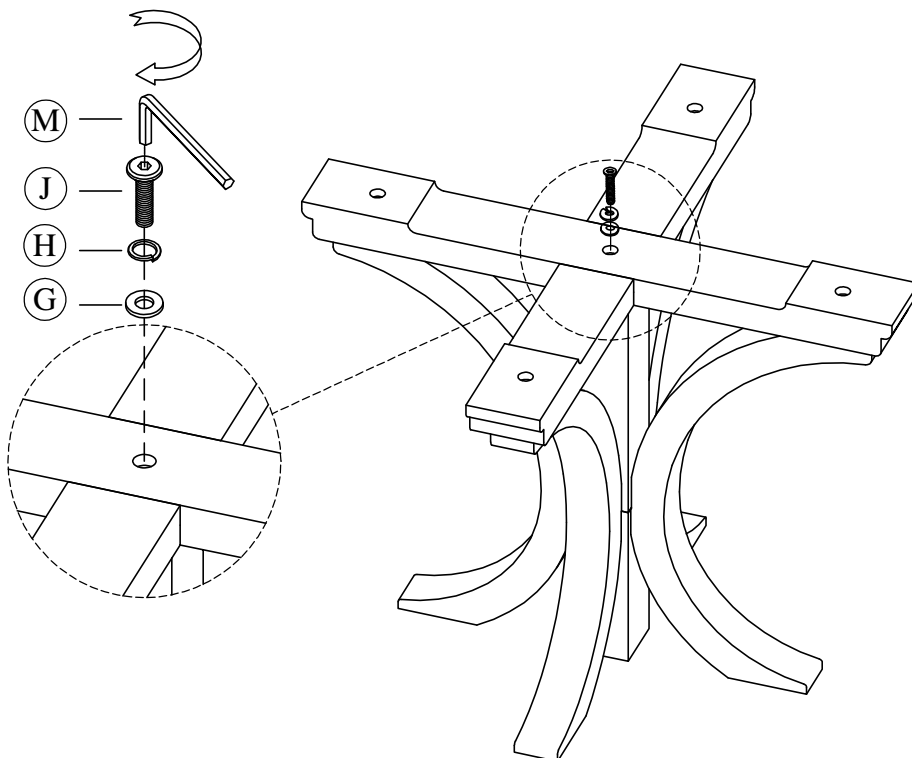
STEP 1:



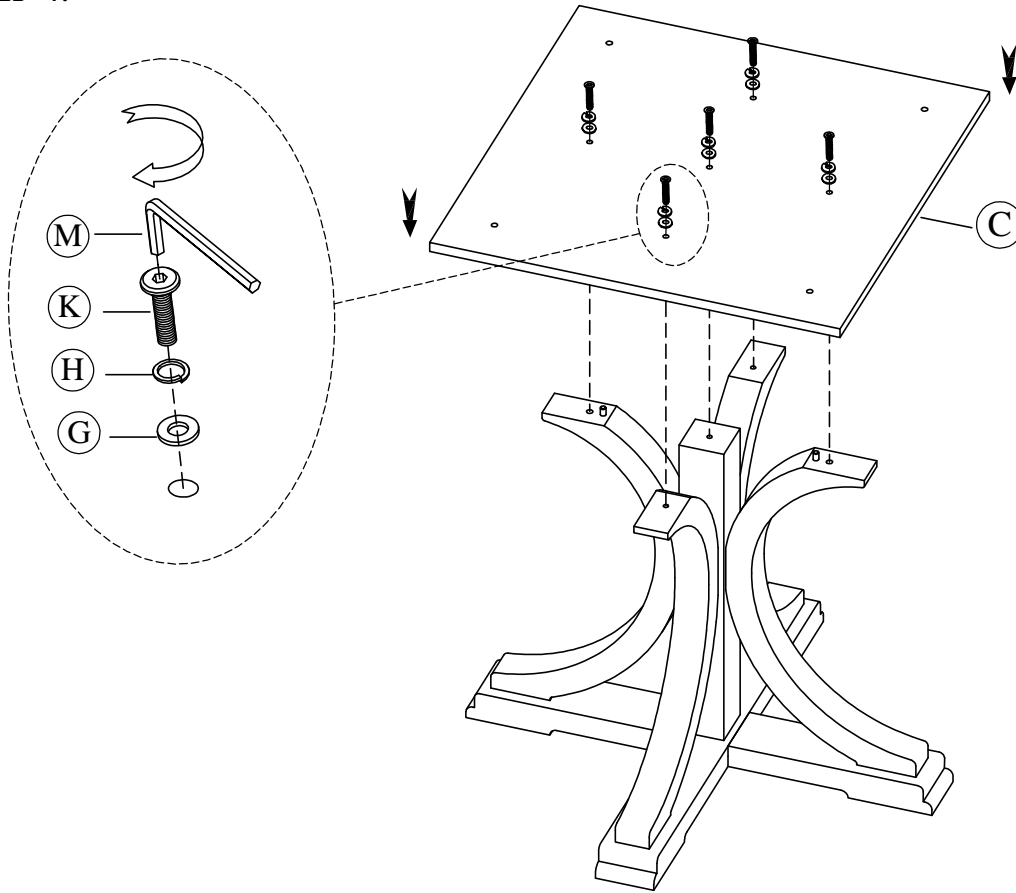
STEP 2:



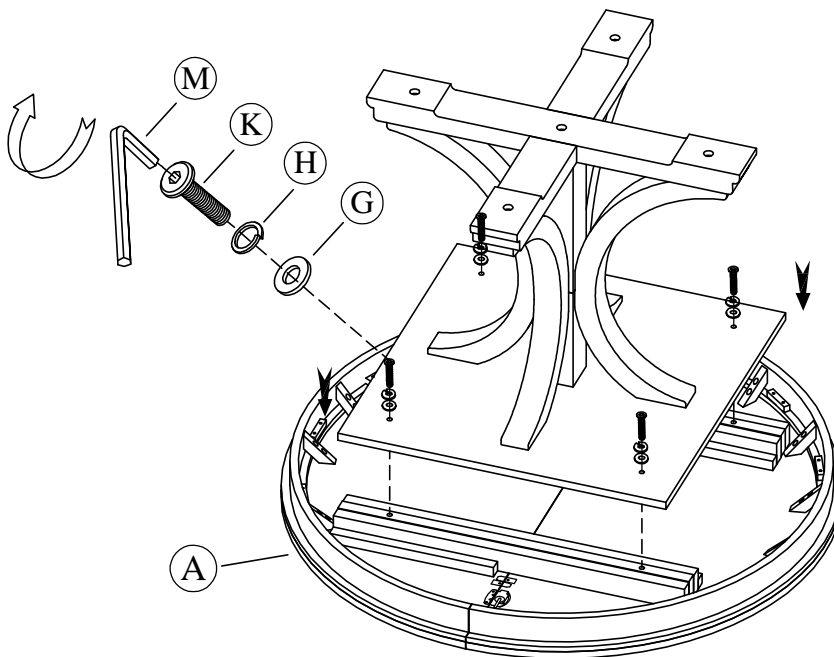
STEP 3:



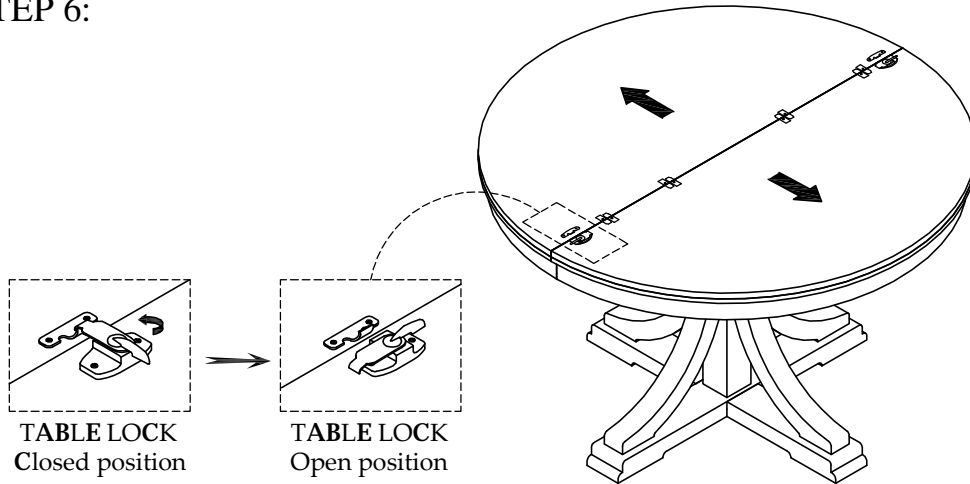
STEP 4:



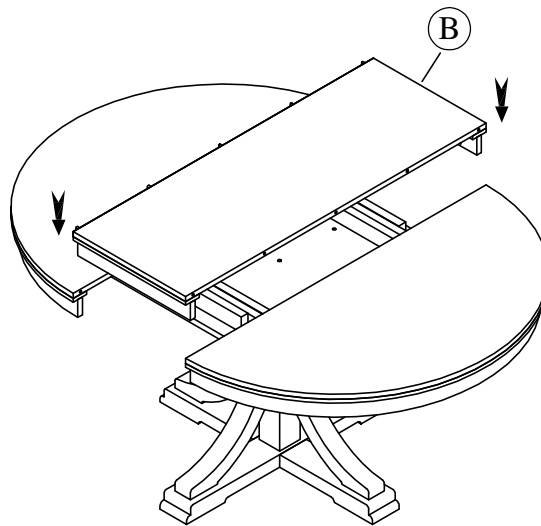
STEP 5:



STEP 6:



STEP 7:



STEP 8:

