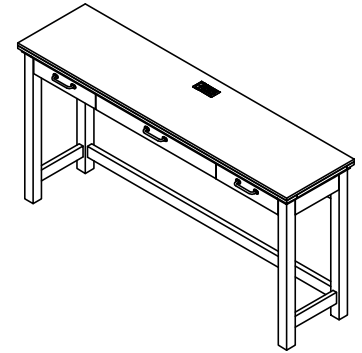


**Warning :**

- Be sure to check all packing material carefully for small parts, which may have come loose inside the carton during shipment.
- To prevent possible scratches and damage, this furniture **MUST BE ASSEMBLED BY TWO PEOPLE** on a soft surface such as a blanket or carpet.

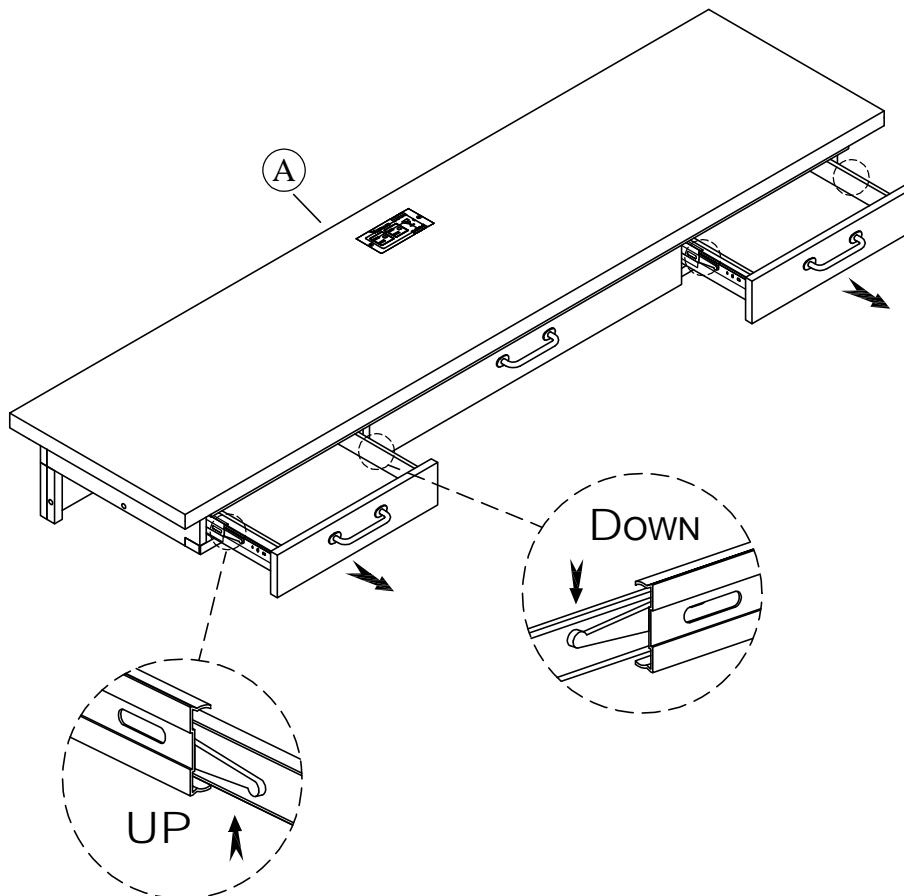


37216  
Sofa Table with 3 stool

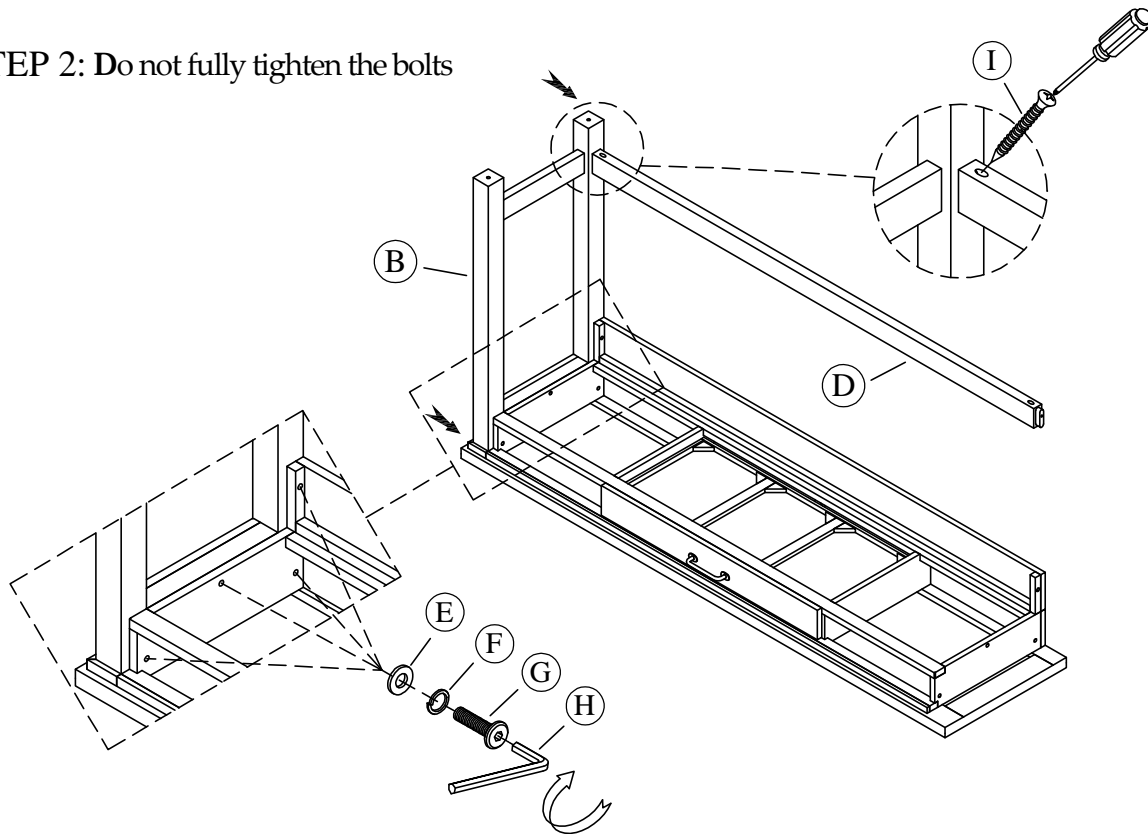
**Components and Hardware List**

<p>Table Top</p> <p>1 pc.</p>	<p>Leg Assembly (Right)</p> <p>1 pc.</p>	<p>Leg Assembly (Left)</p> <p>1 pc.</p>	<p>Bottom Stretcher</p> <p>1 pc.</p>			
<p>Flat Washer 1/4" x 16*2mm</p> <p>8 pcs.</p>	<p>Spring Washer 1/4"</p> <p>8 pcs.</p>	<p>Allen Head Bolt 1/4"x 20x 1-1/2"</p> <p>8 pcs.</p>	<p>4mm Allen Key</p> <p>1 pc.</p>	<p>Wood Screw #8 x 1-1/4"</p> <p>2 pcs.</p>	<p>Tipping Restraint Kit</p> <p>2 set.</p>	<p>Screw Driver not included</p>

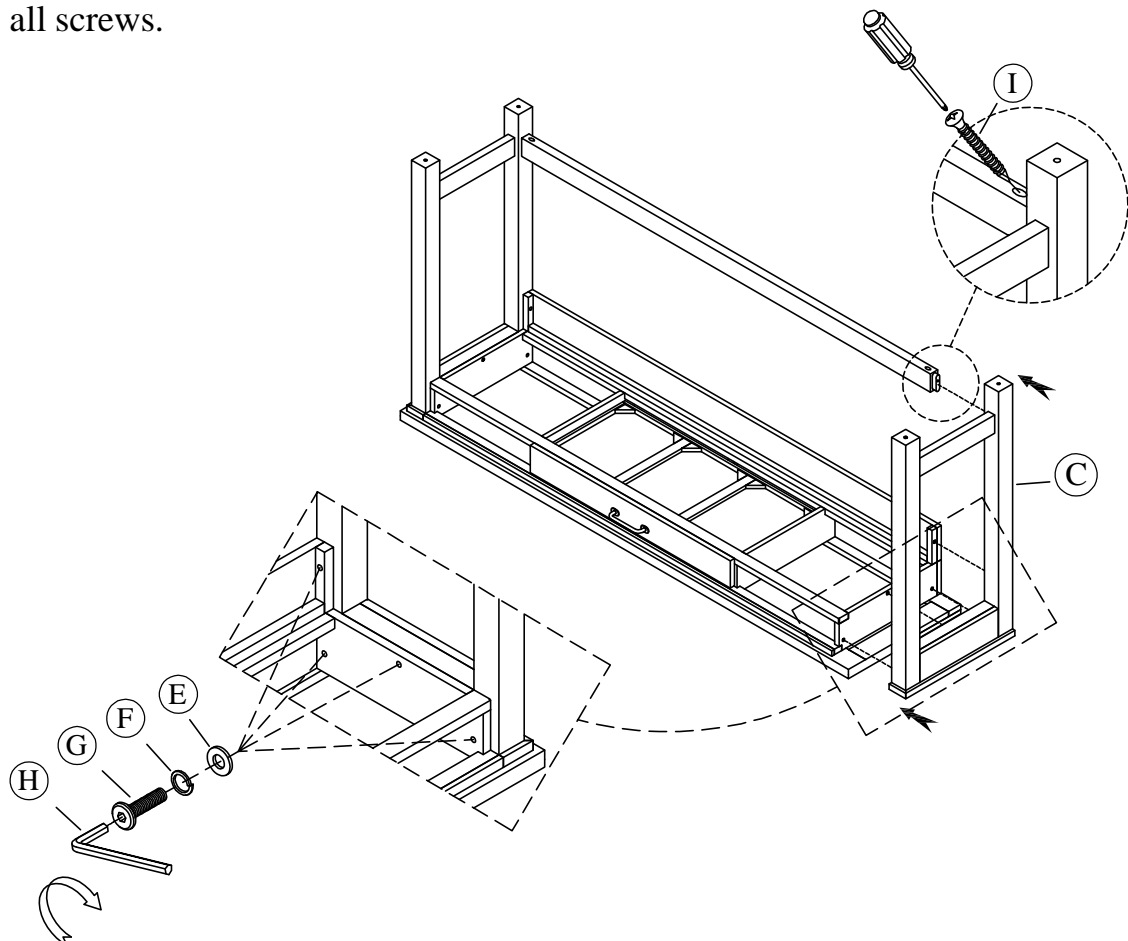
**STEP 1: Remove both side drawers**



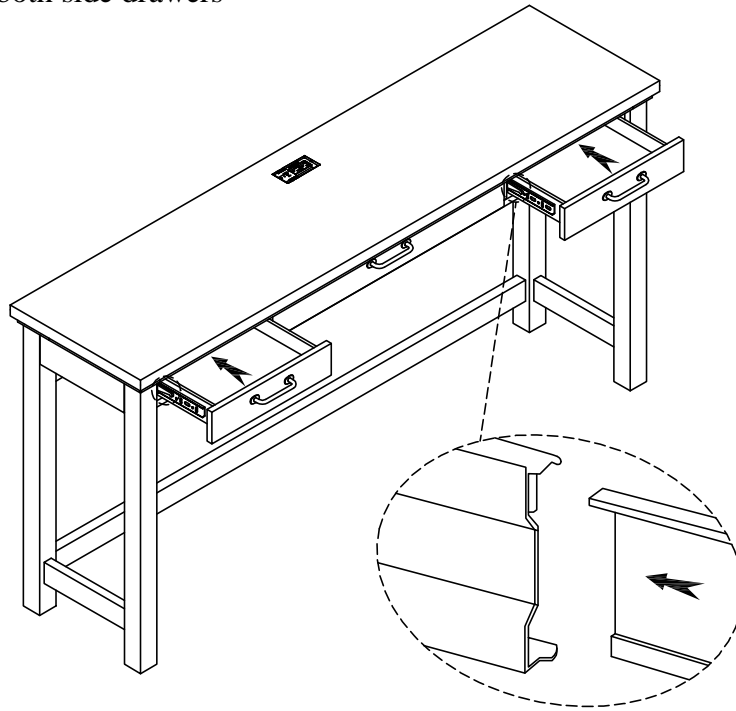
STEP 2: Do not fully tighten the bolts



STEP 3: Using the Allen key and a Phillips head screw driver, tighten all bolts, then tighten all screws.



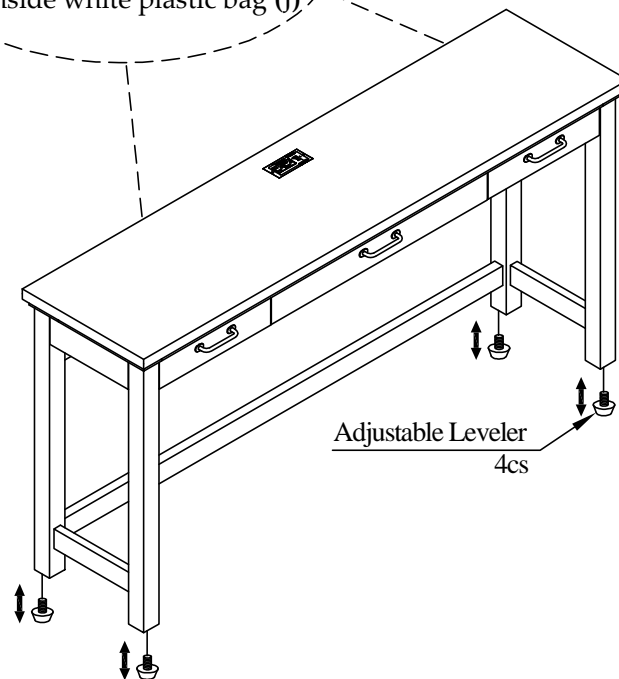
**STEP 4: Attach both side drawers**



**STEP 5:**



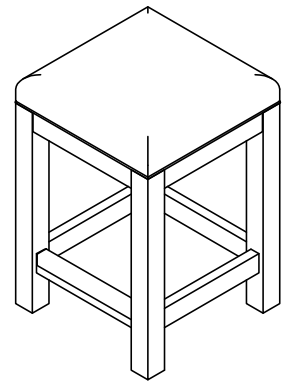
Furniture Tipping Restraint Kit  
inside white plastic bag (J)



For product and personal safety, two Furniture Tipping Restraint kits have been included with this unit which can help to minimize the risk of the unit accidentally tipping forward, if used and properly installed per the kit manufacturer's instructions.

**Warning :**

- Be sure to check all packing material carefully for small parts, which may have come loose inside the carton during shipment.
- To prevent possible scratches and damage, this furniture **MUST BE ASSEMBLED BY TWO PEOPLE** on a soft surface such as a blanket or carpet.

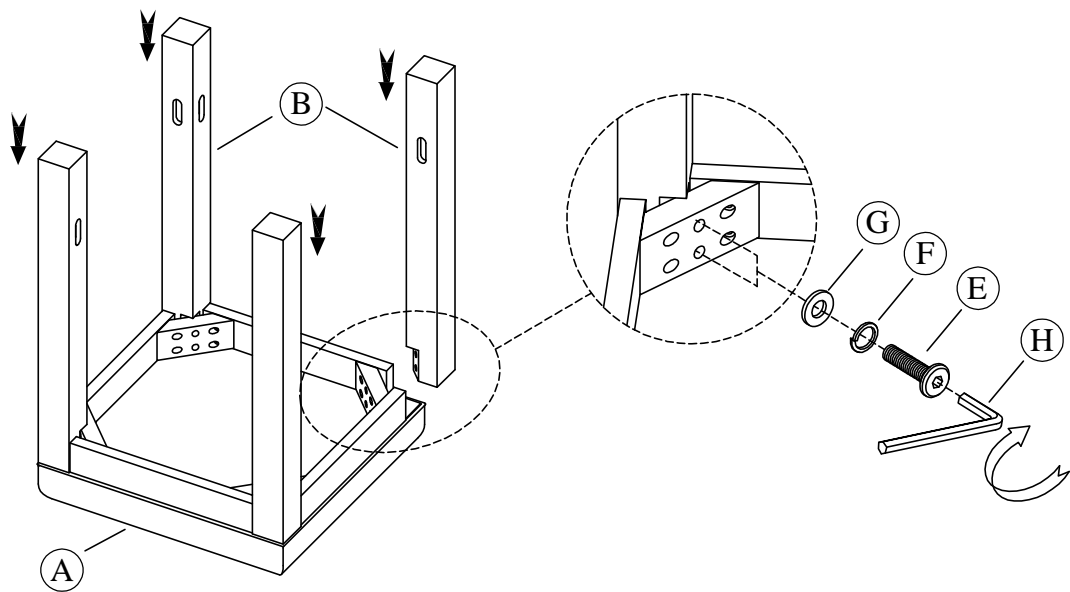


37216 Stool

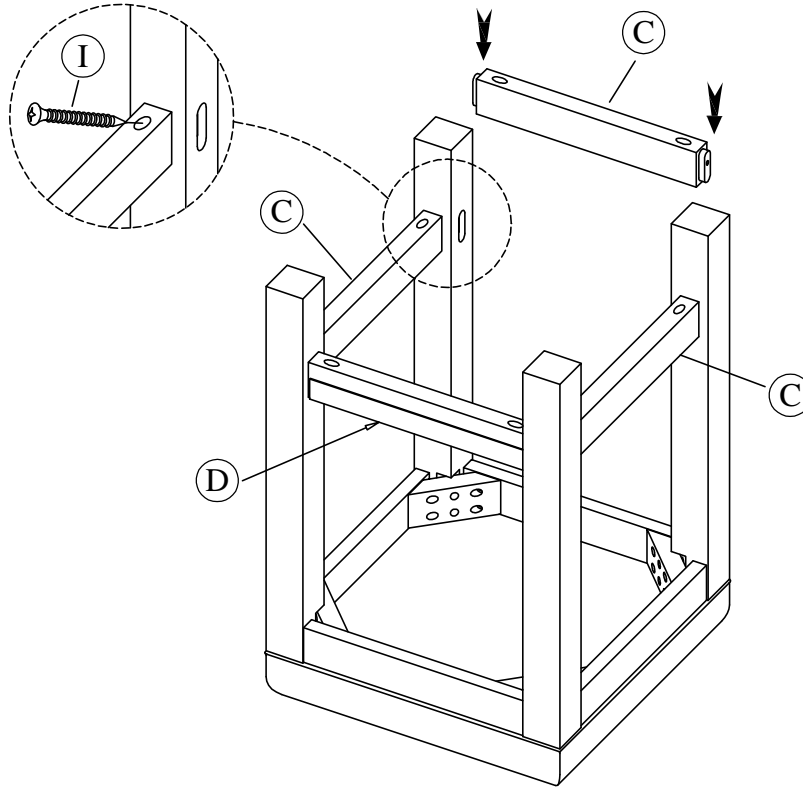
**Components and Hardware List**

Seat cushion  1 pc.	Leg  4 pcs.	Stretcher  3 pcs.	Front Stretcher (Metal Cap)  1 pc.	Allen Head Bolt 1/4"x 20x 2"  8 pcs.	Spring Washer 1/4"  8 pcs.	Flat Washer 1/4" x 16*2mm  8 pcs.	4mm Allen Key  1 pc.	Wood Screw #8 x 1-1/4"  8 pcs.	Screw Driver not included 
---------------------------	-------------------	-------------------------	--	--	----------------------------------	---	----------------------------	--------------------------------------	-------------------------------

**STEP 1: Do not fully tighten the bolts**



STEP 2: Using the Allen key and a Phillips head screw driver, tighten all bolts, then tighten all screws.



Complete

