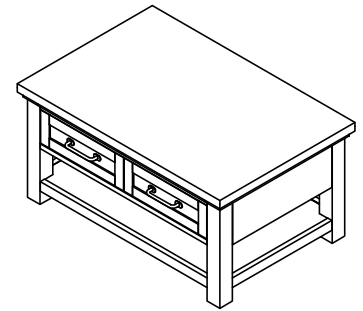


**Warning :**

- Be sure to check all packing material carefully for small parts, which may have come loose inside the carton during shipment.
- To prevent possible scratches and damage, this furniture **MUST BE ASSEMBLED BY TWO PEOPLE** on a soft surface such as a blanket or carpet.

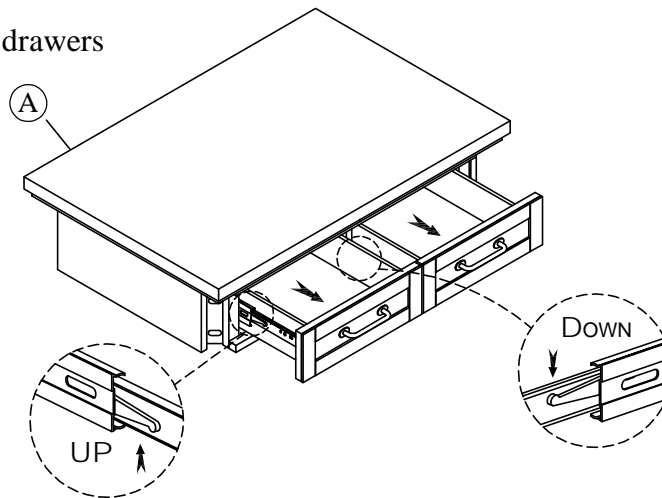


37203  
Small Cocktail Table

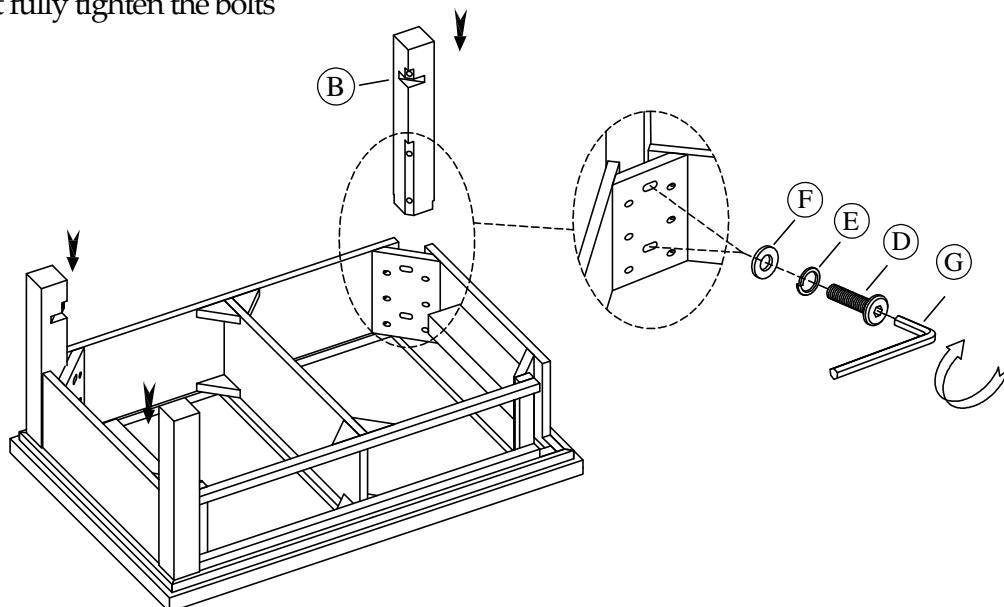
**Components and Hardware List**

<p>Table Top</p> <p>(A) 1 pc.</p>	<p>Leg</p> <p>(B) 4 pcs.</p>	<p>Shelf</p> <p>(C) 1 pc.</p>	<p>Allen Head Bolt 5/16"x 18 x 2"</p> <p>(D) 12 pcs.</p>	<p>Spring Washer 5/16"</p> <p>(E) 12 pcs.</p>
<p>Flat Washer 5/16" x 19*2mm</p> <p>(F) 12 pcs.</p>	<p>5mm Allen Key</p> <p>(G) 1 pc.</p>	<p>Caster</p> <p>(H) 4 pcs.</p>	<p>Open Wrench</p> <p>(I) 1 pc.</p>	

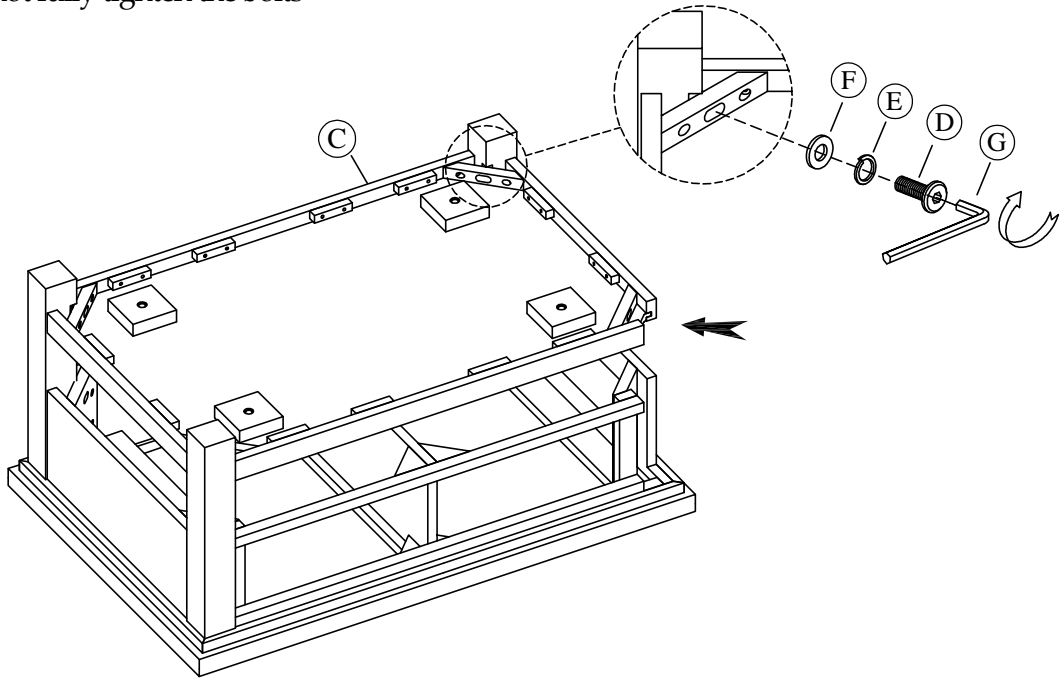
**STEP 1: Remove both drawers**



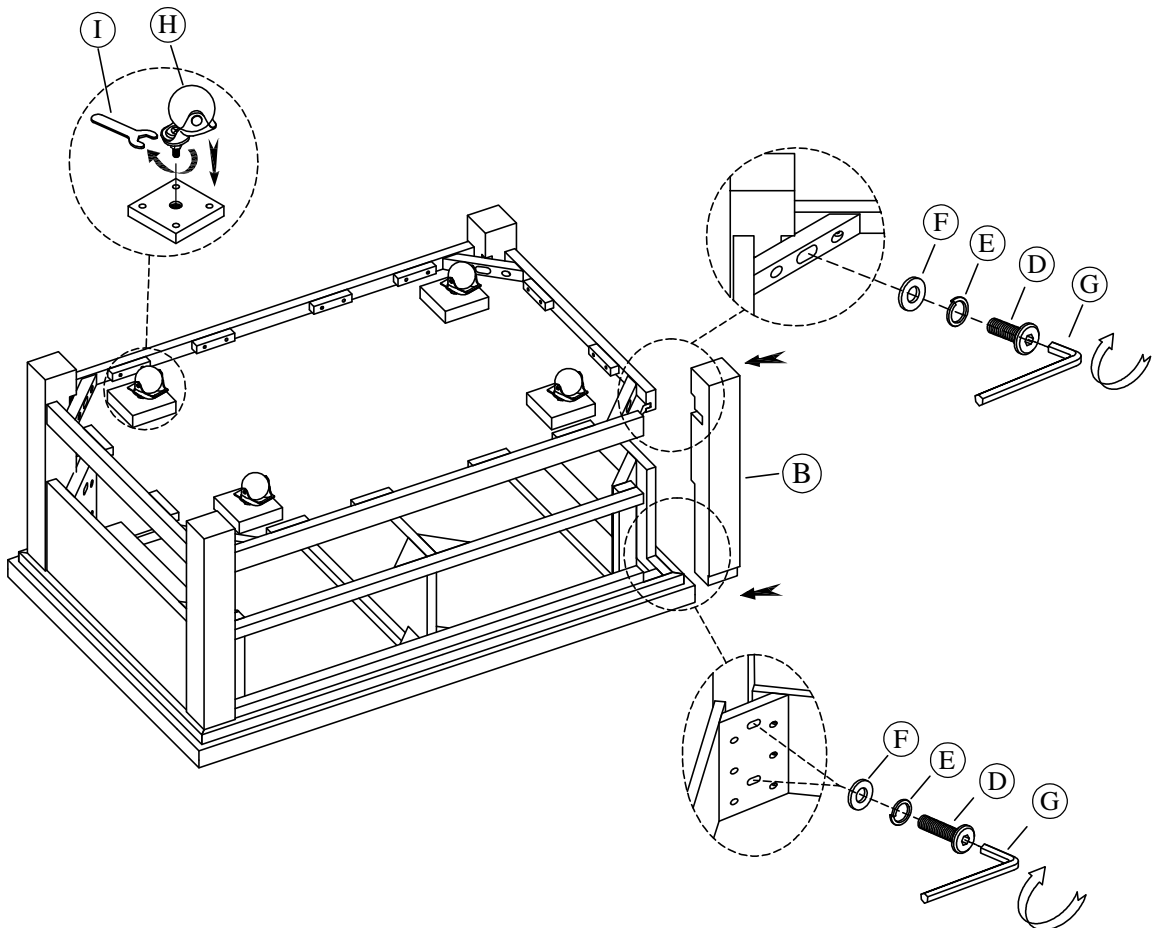
**STEP 2: Do not fully tighten the bolts**



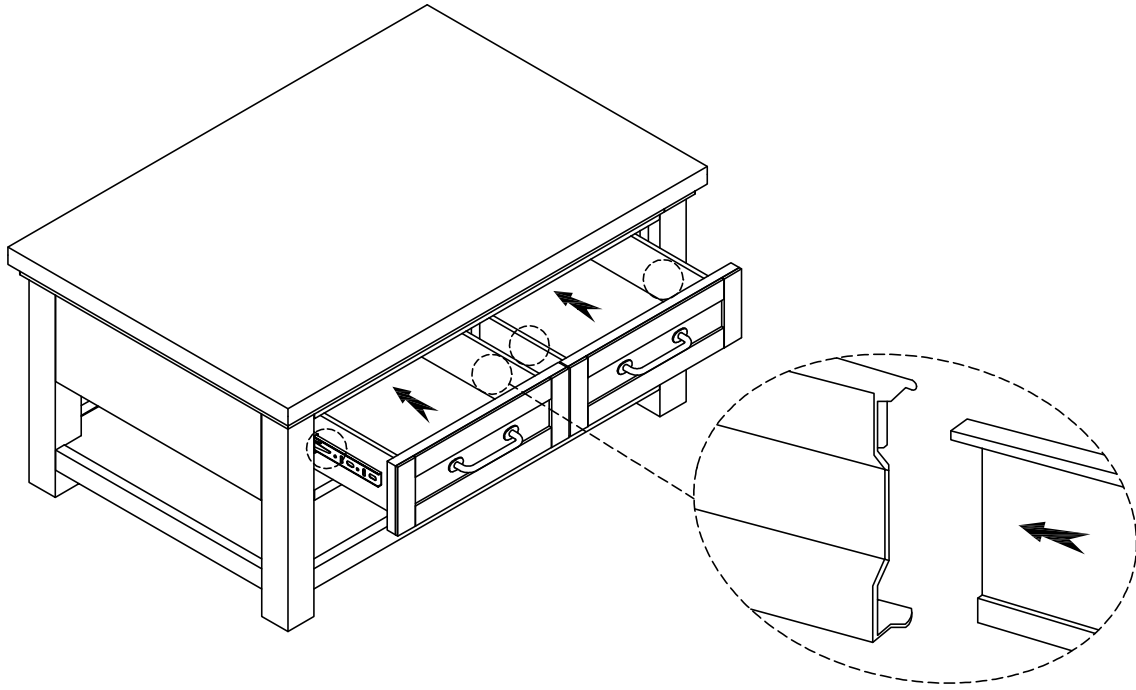
STEP 3: Do not fully tighten the bolts



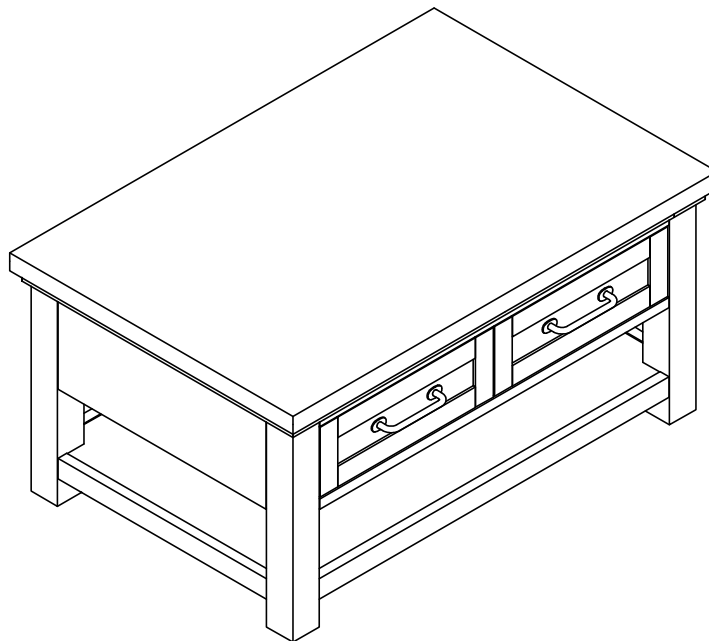
STEP 4: Using the Allen key (G) tighten all bolts



STEP 5: Attach both drawers



Complete



Note: The casters provide an element of convenient mobility, however, to prevent possible damage to some types of flooring, never roll casters on unprotected hardwood or vinyl flooring.