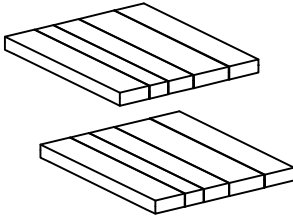
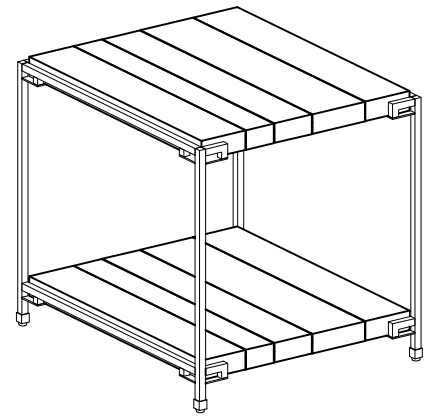
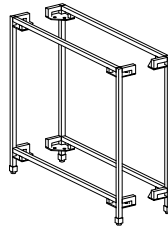


**Components and Hardware List**

**Shelf**



**Leg Frames**



**(A)**

2 pcs.

**(B)**

2 pcs.

Allen Head Bolt  
Ø6 x 20mm



**(H1)**

16 pcs.

Lock Washer  
Ø9 x Ø13mm



**(H2)**

16 pcs.

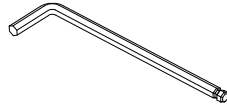
Flat Washer  
Ø8 x Ø20mm



**(H3)**

16 pcs.

**(H4)**



Allen Key  
4 x 110mm

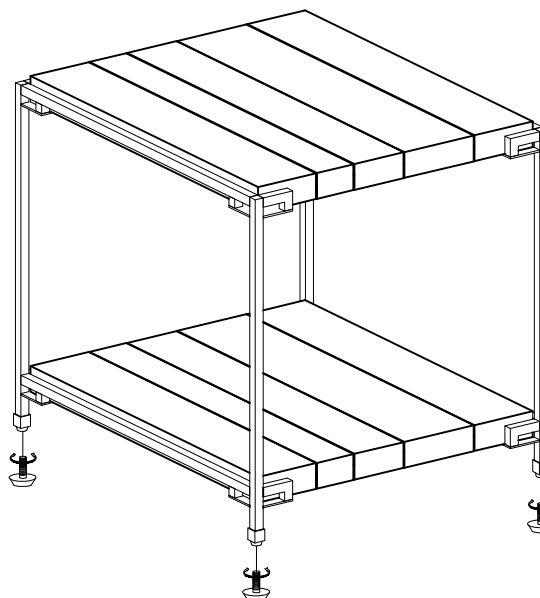
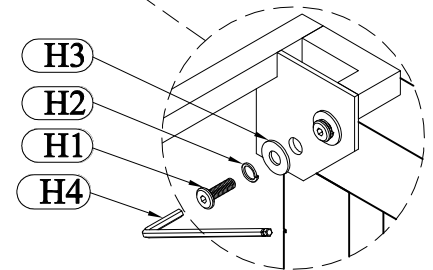
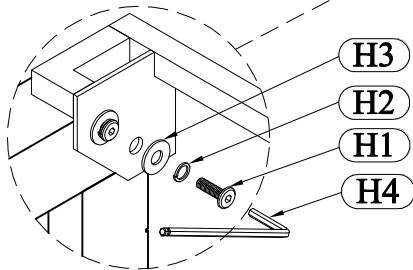
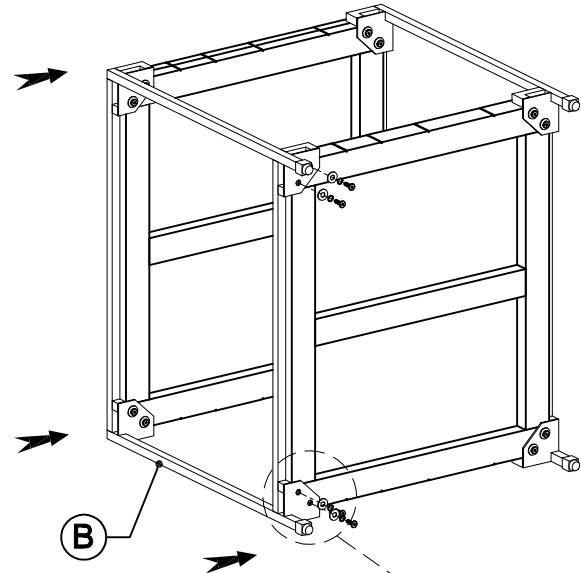
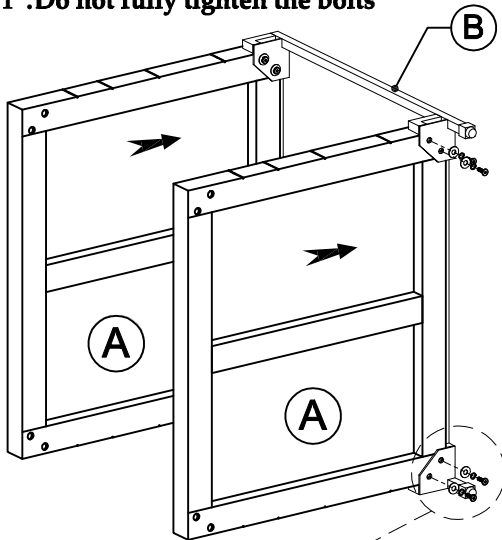
1 pc.

**#32609 End Table**

Be sure to check all packing material carefully for small parts, which may have come loose inside the carton during shipment.

**STEP 1 : Do not fully tighten the bolts**

**STEP 2 : Using the Allen key to tighten all bolts**



Adjustable leveler