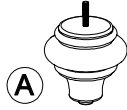


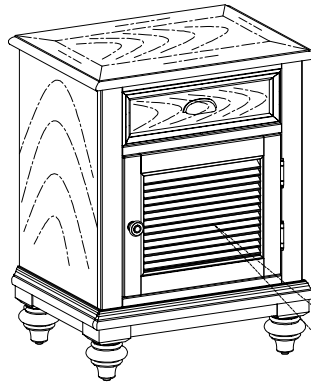
### PARTS LIST

**Bun feet (4 pcs)**

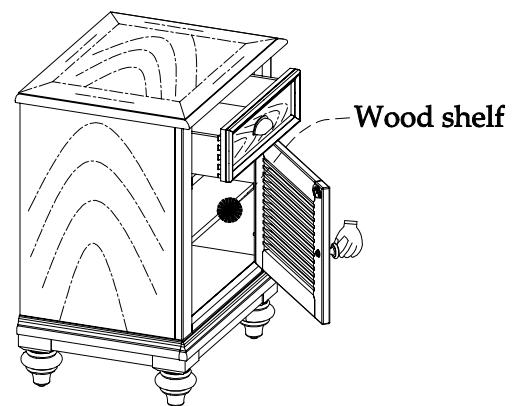
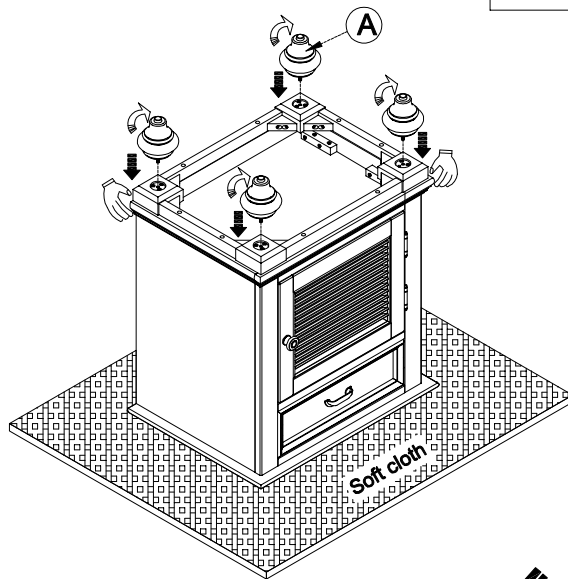


Be sure to check all packing material carefully for small parts, which may have come loose inside the carton during shipment.

### 32469 & 32569 - Door Nightstand



Bun Feet are packed inside on the wood shelf.



#### ASSEMBLY STEPS :

1. Remove the Bun Feet from inside on the wood shelf of the Door Nightstand.
2. Place the Door Nightstand upside down on a clean and soft surface.
3. Assemble the four Bun Feet (A) on the corners of the Door Nightstand, as shown.
4. Carefully turn the Door Nightstand back upright. Now you have finished the assembly of the Door Nightstand.

Note: The levelers installed in the bottom of the Bun Feet can be adjusted to compensate for uneven flooring if necessary.