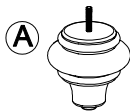
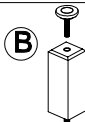


PARTS LIST

Bun Feet (4 pcs)



Support Leg (1 pc)

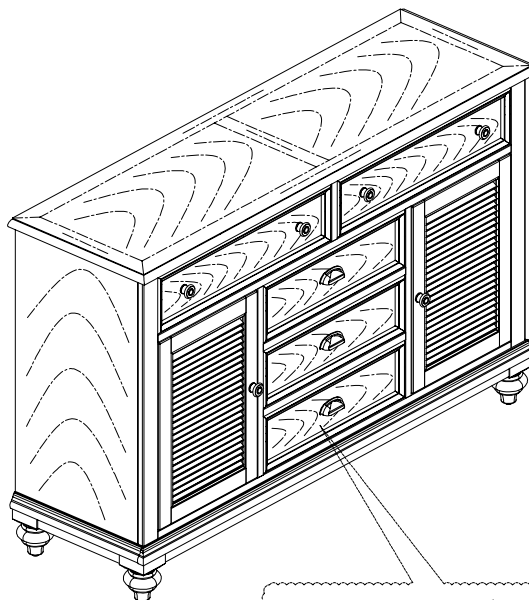


**Anti-Tipping
Restraint Kit (2 pcs)**

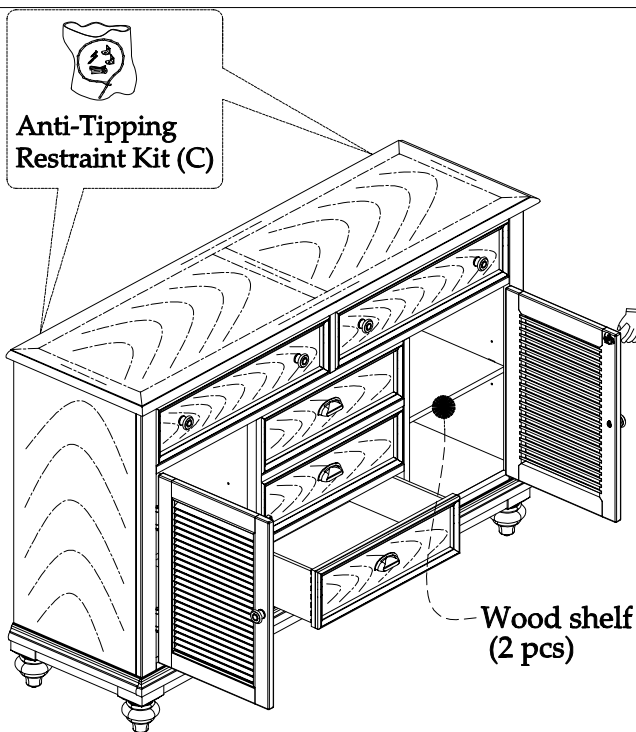
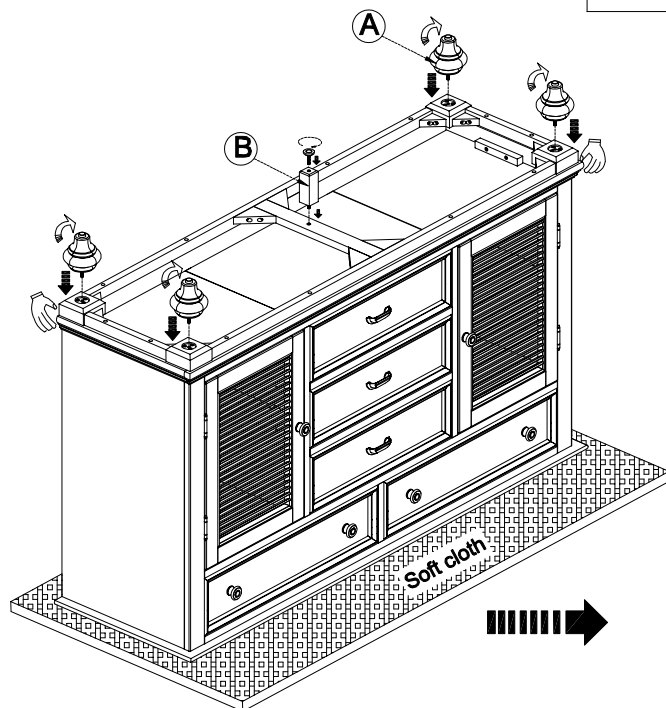


Be sure to check all packing material carefully for small parts, which may have come loose inside the carton during shipment.

32460 & 32560 - Door Dresser



Bun Feet are packed inside the bottom drawer.



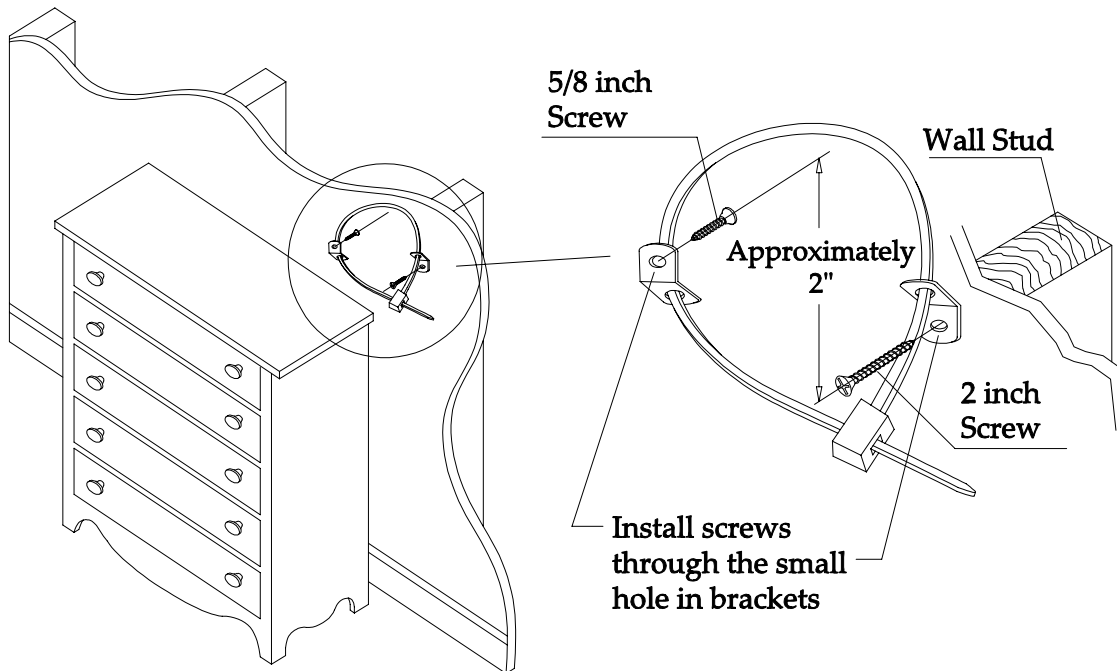
ASSEMBLY STEPS :

1. Remove the Bun Feet and Support Leg from inside the bottom drawer of the Door Dresser.
2. Place the Door Dresser upside down on a clean and soft surface.
3. Assemble the four Bun Feet (A) on the corners and one Support Leg (B) underneath the middle of the Door Dresser, as shown.
4. Carefully turn the Door Dresser back upright. Now you have finished the assembly of Door Dresser.

Note: The levelers installed in the bottom of the Bun Feet and Support Leg can be adjusted to compensate for uneven flooring if necessary.

Anti-Tip Hardware Installation Instructions

Notice: In homes where small children may be present, Riverside Furniture Corp. recommends that steps be taken for certain furniture items to prevent or minimize the risk of tip-over. This furniture is equipped with Tip-over Restraint Hardware for use to minimize this risk, if used. Please follow below installation steps. Riverside Furniture Corp. recommends that parents and guardians periodically visit the U.S. Consumer Product Safety Commission (CPSC) website at <http://www.cpsc.gov/> and stay up to date on all issues related to children's product safety.



1. Temporarily locate the furniture to near it's final location in the room next to a wall. Locate a wall stud behind your furniture and also mark the stud's location on the back of your furniture.
2. Firmly attach one bracket to the stud approximately 2" below the top of the furniture with the **2 inch long** Wood Screws provided. It may be necessary to drill 3/32 dia. pilot holes for the screws.
3. Firmly attach the other bracket onto a solid, structural part on the back of the furniture using the **5/8 inch long** Wood Screws. It may also be necessary to pilot bore for these screws.
4. Move the furniture into its final position, taking care to line up the wall bracket with the furniture bracket. Thread a strap through the bracket as shown in the illustration. Tighten strap until snug but do not over tighten.

Caution: Riverside Furniture Corp. assumes no liability for improper installation or excessive loads placed on screws, brackets or straps. Failure to detach this restraint before moving furniture may result in personal injury and property damage.

Warning: This tip-over restraint is not to be a substitute for proper adult supervision. Do not allow children to climb on furniture. Items left on top of the TV and furniture, such as toys, remote controls and treats might tempt young children to climb. Push the TV as far back as possible from the front of its stand. Place electrical cords out of a child's reach, and teach children not to play with the cords.