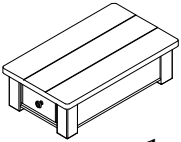
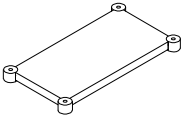


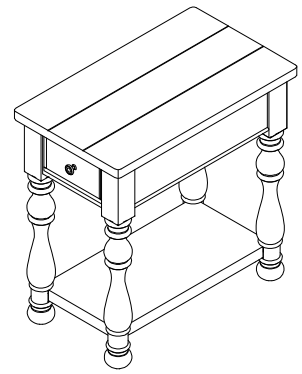


Components and Hardware List

Table Top	Shelf	Leg	Foot
 (A) 1 pc.	 (B) 1 pc.	 (C) 4 pcs.	 (D) 4 pcs.

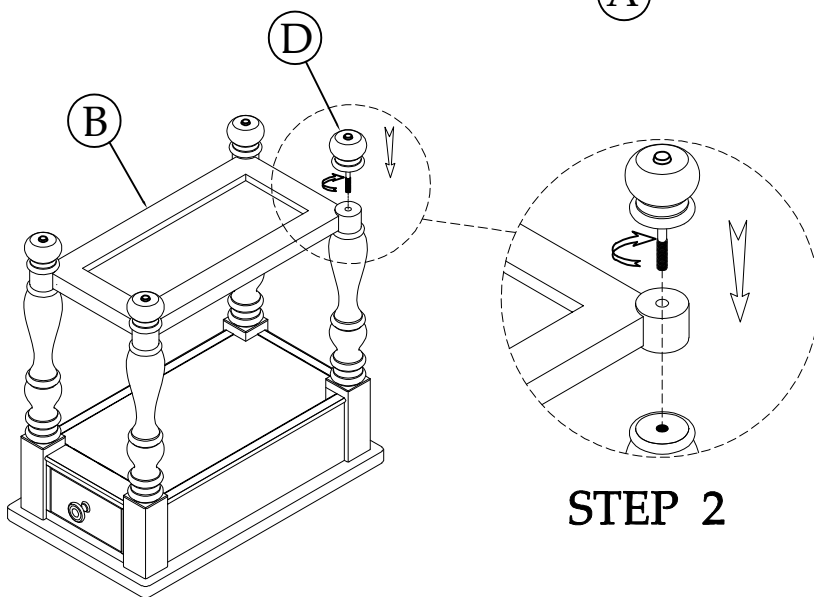
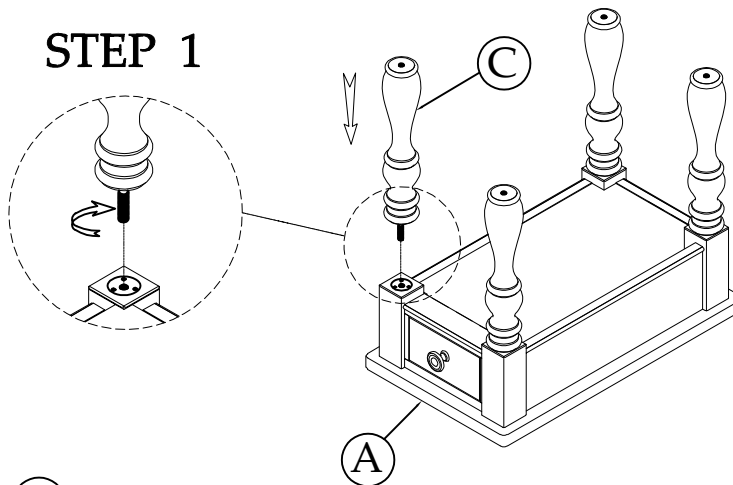


#32312
Chairside Table

Be sure to check all packing material carefully for small parts, which may have come loose inside the carton during shipment.

To prevent possible scratches and damage, this furniture should be assembled on a soft surface such as a blanket or carpet.

STEP 1



STEP 2

Adjustable
Leveler

The levelers in the bottom of the Bun Feet can be adjusted if necessary to compensate for uneven flooring