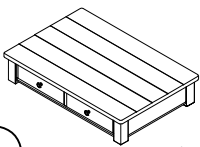
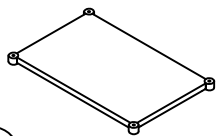


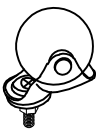

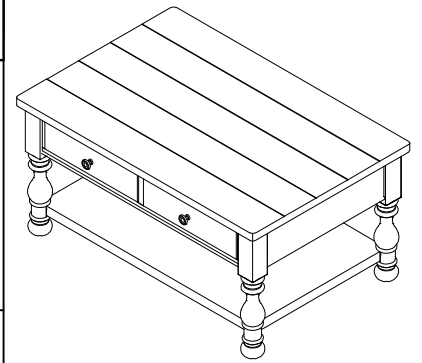


Components and Hardware List

<p>Table Top</p>  <p>(A) 1 pc.</p>	<p>Shelf</p>  <p>(B) 1 pc.</p>	<p>Leg</p>  <p>(C) 4 pcs.</p>	<p>Foot</p>  <p>(D) 4 pcs.</p>
<p>Caster</p>  <p>(E) 4 pcs.</p>	<p>Open Wrench</p>  <p>(F) 1 pc.</p>		

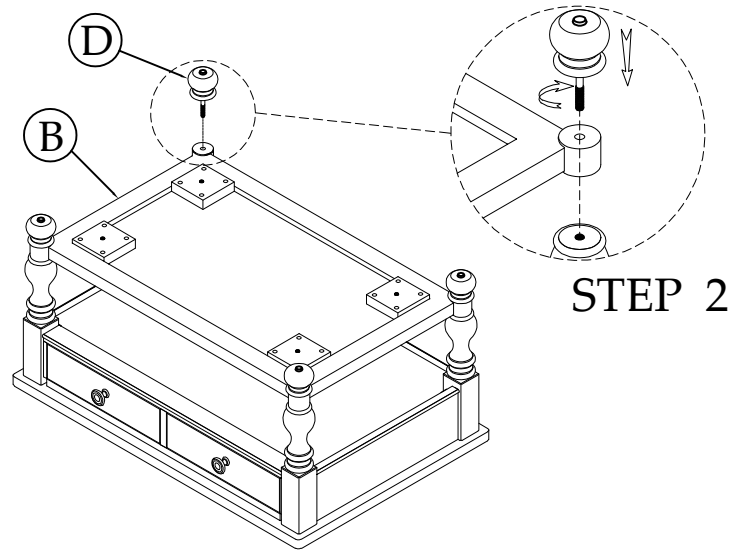
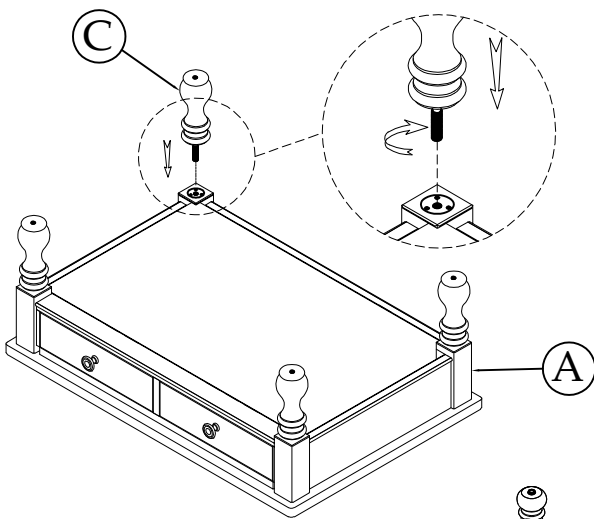


#32302
Rectangle Cocktail Table

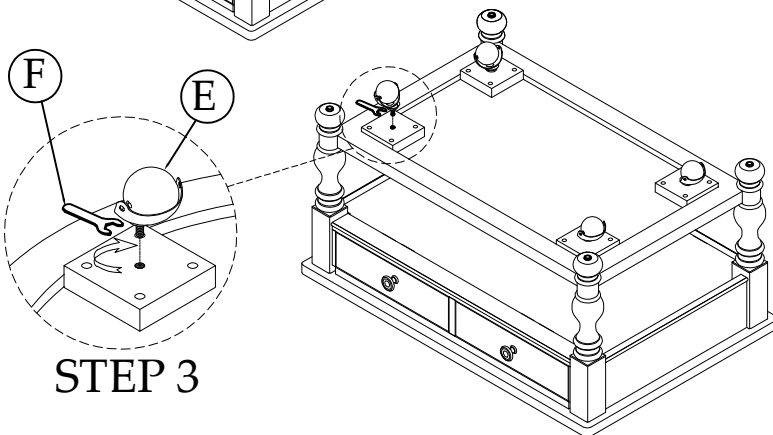
Be sure to check all packing material carefully for small parts, which may have come loose inside the carton during shipment.

To prevent possible scratches and damage, this furniture should be assembled on a soft surface such as a blanket or carpet.

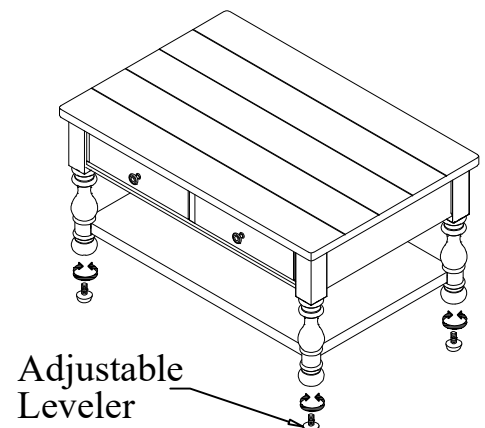
STEP 1



STEP 2



STEP 3



The levelers in the bottom of the Bun Feet can be adjusted if necessary to compensate for uneven flooring