
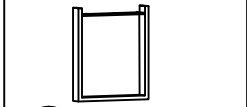


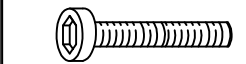

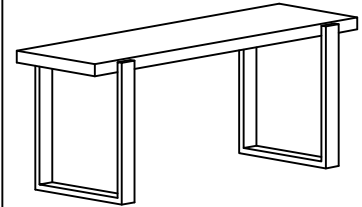


Components and Hardware List

<p>Seat Panel</p>  <p>Ⓐ 1 pc.</p>	<p>Metal Leg</p>  <p>Ⓑ 2 pcs.</p>	<p>8 x 23 x 1.75 mm Flat Washer</p>  <p>Ⓒ 8 pcs.</p>	<p>8x14x2mm Spring Washer</p>  <p>Ⓓ 8 pcs.</p>
<p>Ø 5/16 x 1 1/4" Allen Head Bolt</p>  <p>Ⓔ 8 pcs.</p>	<p>5mm Allen Wrench</p>  <p>Ⓕ 1 pc.</p>		



#31659
DINING BENCH

Be sure to check all packing material carefully for small parts, which may have come loose inside the carton during shipment.

To prevent possible scratches and damage, this furniture should be assembled on a soft surface such as a blanket or carpet.

