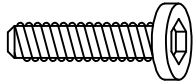


Components and Hardware List

Ø $\frac{5}{16}$ " x 2" Allen
Head Bolt



(A) 12 pcs.

Ø $\frac{5}{16}$ " x 3/4" Spring
Washer



(B) 12 pcs.

Ø5/16" Flat
Washer

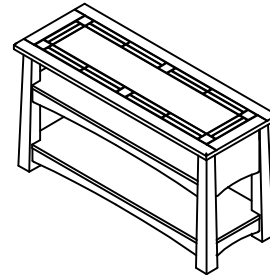


(C) 12 pcs.

5mm Allen
Wrench

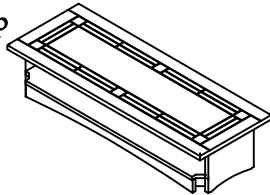


(D) 1 pc.



#2915
Sofa Table

Table Top



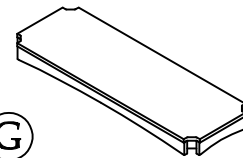
(E) 1 pc.

Leg



(F) 4 pcs.

Shelf



(G) 1 pc.

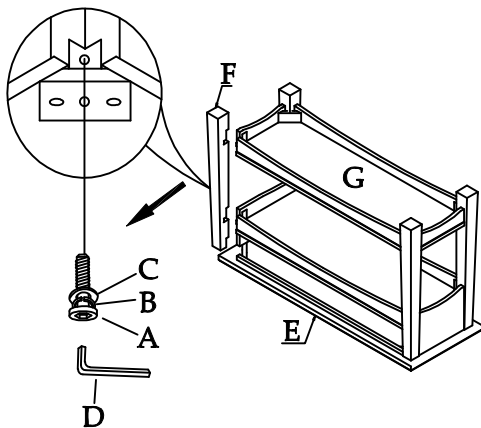
Be sure to check all packing material carefully for small parts, which may have come loose inside the carton during shipment.

Step 1: Place the Table Top (E) upside down on a soft non-abrasive surface.

Step 2: Attach the LEGS (F) to the underneath side of the Table Top with the 5/16" x 2" long Allen-Head Bolts (A), Spring Washers (B) and Flat Washers (C). Do not fully install bolts until after next step. Attach the Shelf (G) to the LEGS with the same 2" long Allen-Head Bolts and washers as previous step. Tighten all Bolts using the Allen Wrench (D).

Step 3: Carefully set the Table upright.

Step 2



Step 3

