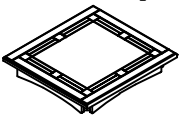
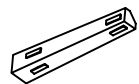
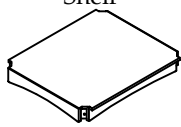




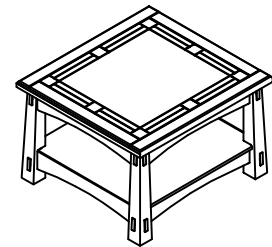


email: info@riverside-furniture.com

Be sure to check all packing material carefully for small parts, which may have come loose inside the carton during shipment. Separate, count and check all parts against the Components and Hardware List below.

Component And Hardware List

<p>Table Top</p>  <p>(A) 1 PC.</p>		<p>Leg</p>  <p>(B) 4 PCS.</p>		<p>Shelf</p>  <p>(C) 1 PC.</p>	
<p>Bolt: Ø5/16 x 50mm</p>  <p>(D) 8 PCS.</p>		<p>Flat Washer Ø 5/16"x19mm</p>  <p>(E) 8 PCS.</p>		<p>Spring Washer Ø 5/16"</p>  <p>(F) 8 PCS.</p>	
		<p>4mm Allen Wrench</p>  <p>(G) 1 PC.</p>			



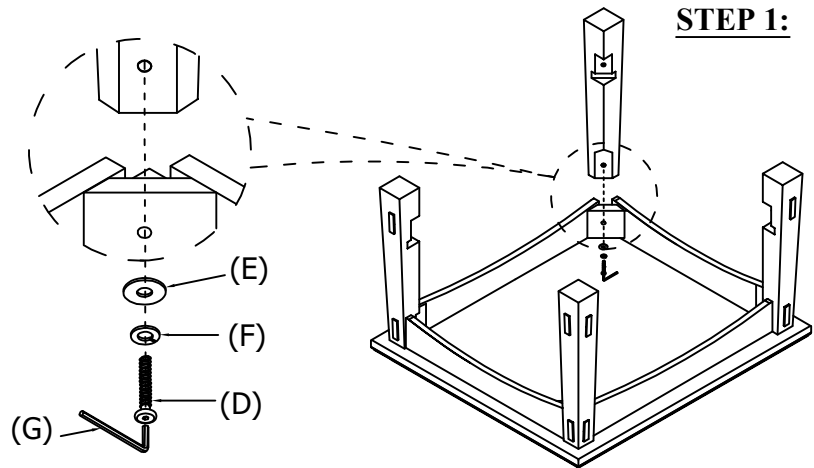
Item #2909
END TABLE

ASSEMBLY PROCEDURE:

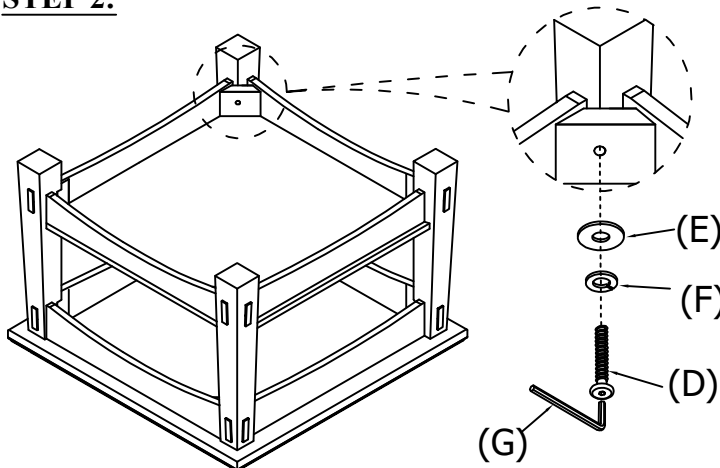
1. Place Table Top (A) upside down on a soft, non-abrasive surface such as a blanket or carpet, or its own packaging materials.

2. Attach the Legs (B) to the four corners of the Table Top (A) by using the Bolts (D), Spring Washers (F) & Flat Washers (E), as shown in **STEP 1**.

Do not fully tighten Bolts until Step 2.

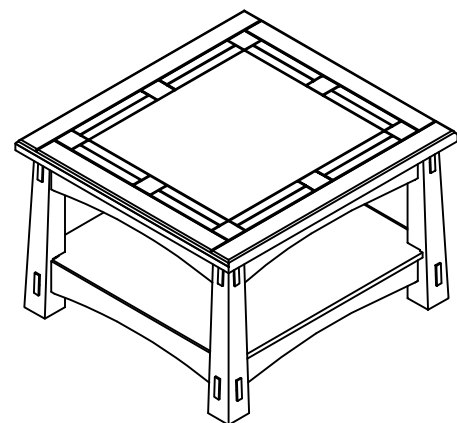


STEP 2:



3. Assemble Shelf (C) to the Four Legs by using the Bolts (D), Spring Washers (F) & Flat Washers (E), as shown in **STEP 2**. Pull the Shelf snug to the Legs and tighten Bolts using the Allen Wrench (G). Pull the Legs snug to the Top Assembly and tighten Bolts at the top of the Legs.

STEP 3:



4. Carefully set the completed Table upright.

THANK YOU FOR YOUR PURCHASE.