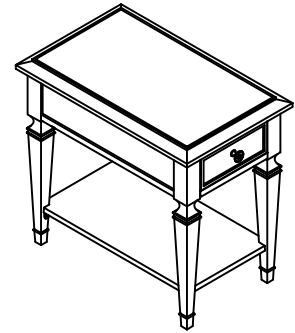


Be sure to check all packing material carefully for small parts, which may have come loose inside the carton during shipment. Separate, count and check all parts against the Components and Hardware List below.

Component And Hardware List

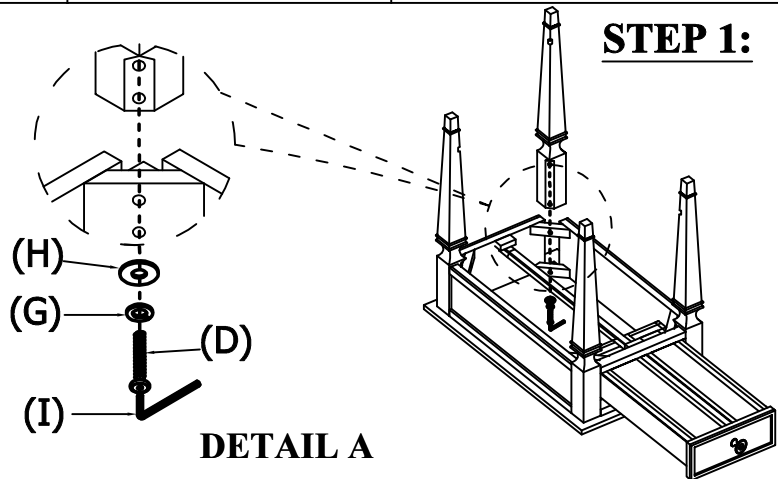
<p>Top Assembly</p> <p>(A) 1 PC.</p>	<p>Legs</p> <p>(B) 4 PCS.</p>	<p>Shelf</p> <p>(C) 1 PC.</p>	<p>Bolts: Ø1/4 x 63mm</p> <p>(D) 8 PCS.</p>
<p>Bolts: Ø1/4 x 15mm</p> <p>(E) 8 PCS.</p>	<p>Flat Washer Ø 1/4"x12mm</p> <p>(F) 8 PCS.</p>	<p>Spring Washer Ø 1/4"</p> <p>(G) 16 PCS.</p>	
<p>Flat Washer Ø 5/16" x19mm</p> <p>(H) 8 PCS.</p>	<p>4mm Allen Wrench</p> <p>(I) 1 PC.</p>	<p>"L" Brackets</p> <p>(J) 4 PCS.</p>	



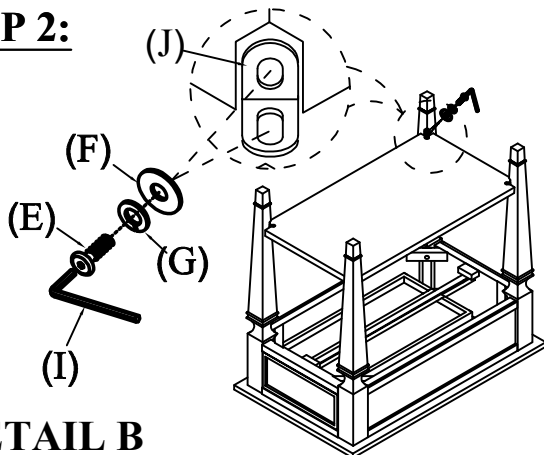
Item #28312
Rectangle Chairside Table

ASSEMBLY PROCEDURE:

1. Place Top Assembly (A) upside down on a soft and smooth surface.
2. Assemble the Legs (B) to the Top Assembly (A) by using the 1/4" Bolts (D), Spring Washers (G) & Flat Washers (H) as shown in **DETAIL A**.
Do not fully tighten Bolts until Step 2.

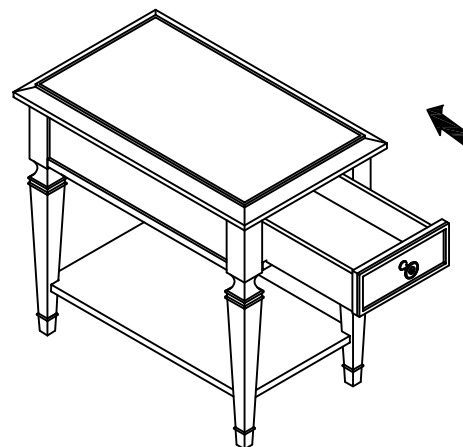


STEP 2:



3. Assemble Shelf (C) to the Four Legs by using 'L' Brackets (J), 1/4" Bolts (E), Spring Washers (G) & Flat Washers (F) as shown in **DETAIL B**. Pull the Shelf snug to the Legs and tighten Bolts using the Allen Wrench (I). Pull the Legs snug to the Top Assembly and tighten Bolts at the top of the Legs.

STEP 3:



4. Turn the completed Table upright and reinstall the Drawer.

THANK YOU FOR YOUR PURCHASE.