

# Riverside

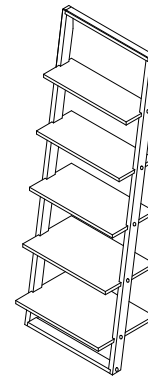
FURNITURE

## Lean Living Assembly Instructions

Made in Viet Nam

email: [info@riverside-furniture.com](mailto:info@riverside-furniture.com)

Be sure to check all packing material carefully for small parts, which may have come loose inside the carton during shipment.



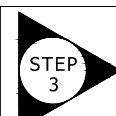
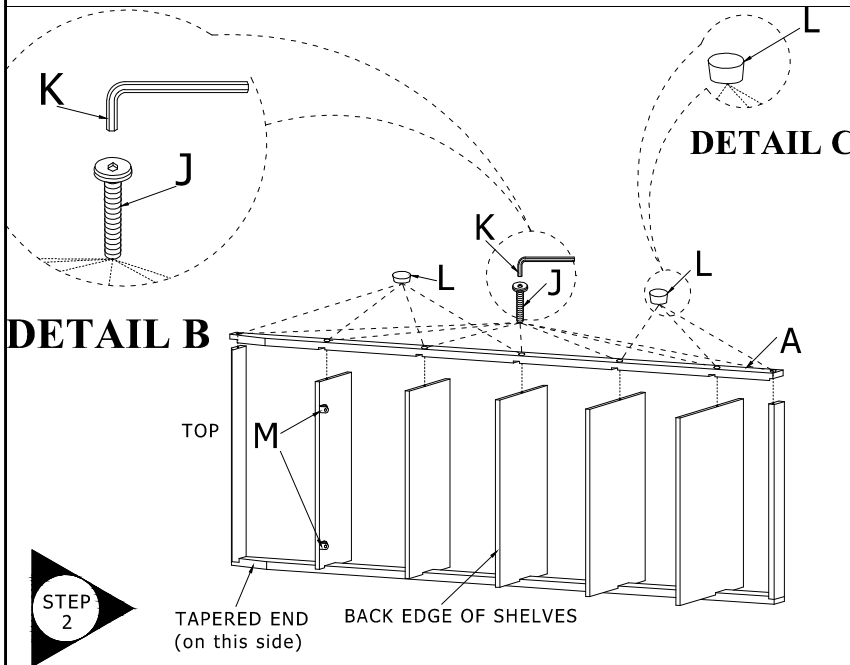
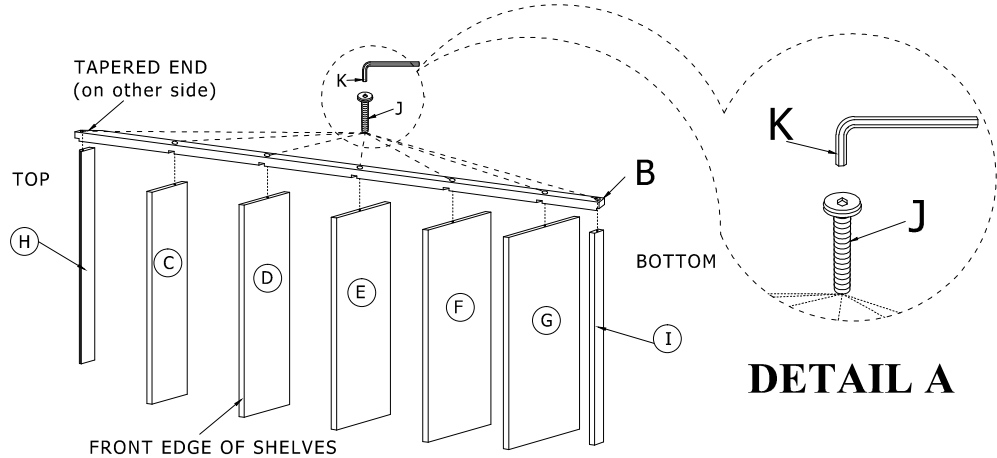
**BookCase**  
Item #27737  
#27837

### Component And Hardware List

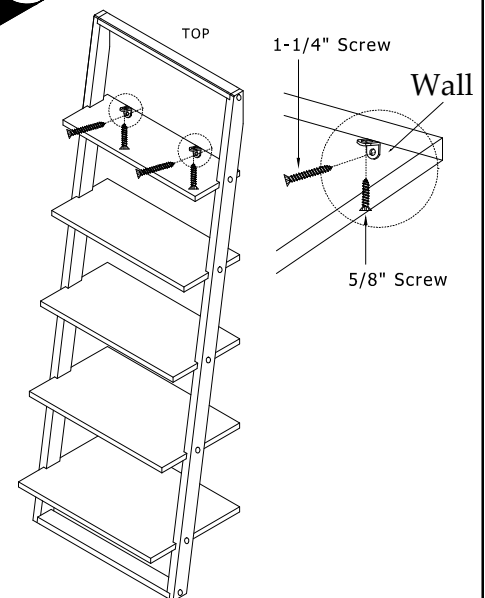
<b>(A)</b> <b>Left Leg</b> 1 PC.		<b>(C)</b> <b>Shelf Panel 1</b> 1 PC.		<b>(D)</b> <b>Shelf Panel 2</b> 1 PC.	
<b>(B)</b> <b>Right Leg</b> 1 PC.		<b>(E)</b> <b>Shelf Panel 3</b> 1 PC.		<b>(F)</b> <b>Shelf Panel 4</b> 1 PC.	
<b>(G)</b> <b>Shelf Panel 5</b> 1 PC.		<b>(H)</b> <b>Top Rail</b> 1 PC.		<b>(I)</b> <b>Bottom Rail</b> 1 PC.	
<b>(J)</b> <b>Bolt</b> Ø1/4*30mm 14pcs.		<b>(K)</b> <b>Allen key</b> 1 PC.		<b>(L)</b> <b>Plastic plug</b> 14pcs.	
<b>(M)</b> <b>ANTI-TIP RESTRAINT</b> 1 PC.					



Note: Pay special attention when assembling so the back edge of the shelves are towards the wall.



Note: To have a safe product, the top of this furniture piece must be securely attached to the wall using the appropriate customer supplied attachment hardware.



**THANK YOU FOR YOUR PURCHASE.**