

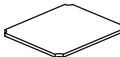







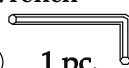
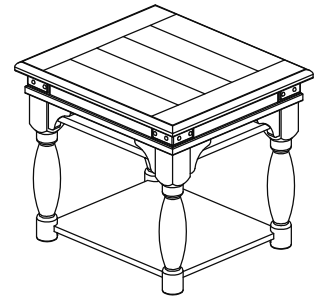


**Components and Hardware List**

<b>Table Top</b>  <b>(A)</b> 1 pc.		<b>Leg</b>  <b>(B)</b> 4 pcs.		<b>Wood Shelf</b>  <b>(C)</b> 1 pc.	
<b>Long Metal Stretcher</b>  <b>(D)</b> 2 pcs.			<b>Short Metal Stretcher</b>  <b>(E)</b> 2 pcs.		
<b>Angle Bracket</b>  <b>(F)</b> 4 pcs.	<b>M5/16" x 1/2" Allen Head Bolt</b>  <b>(G)</b> 8 pcs.	<b>M5/16" x 1-3/4" Allen Head Bolt</b>  <b>(H)</b> 8 pcs.	<b>M5/16" Spring Washer</b>  <b>(I)</b> 16 pcs.	<b>M5/16" Flat Washer</b>  <b>(J)</b> 16 pcs.	<b>5mm Allen Wrench</b>  <b>(K)</b> 1 pc.



#27309  
END TABLE

Be sure to check all packing material carefully for small parts, which may have come loose inside the carton during shipment. To prevent possible scratches or damage, this product should be assembled on a soft surface such as a blanket or carpet.

Do not fully tighten the bolts in Step 2 until Step 3 is completed.

