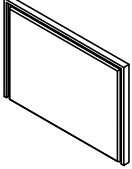


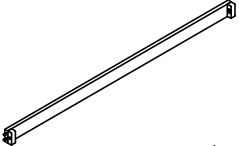







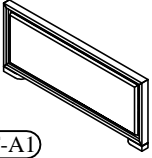
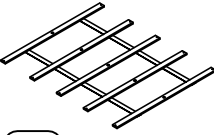
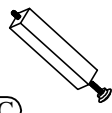
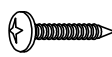

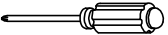
Warning :

- Be sure to check all packing material carefully for small parts, which may have come loose inside the carton during shipment.
- To prevent possible scratches and damage, this furniture **MUST BE ASSEMBLED BY TWO PEOPLE** on a soft surface such as a blanket or carpet.

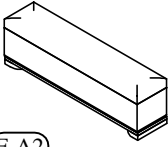
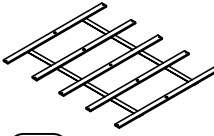

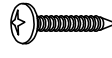

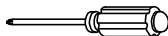
Hardware and Parts packed with the Headboard

27170 - Queen Uph Headboard  (H-A) 1 pc.	Headboard Post (Left)  (H-B) 1 pc.	Headboard Post (Right)  (H-C) 1 pc.	Headboard Stretcher  (H-D) 1 pc.	
Ø5/16"-18 x 1-1/4" Allen Head Bolt  (H-E) 10 pcs.	Ø5/16" Spring Washer  (H-F) 10 pcs.	Ø5/16" x 19*2mm Flat Washer  (H-G) 10 pcs.	5mm Allen Key  (H-H) 1 pc.	Upholstery Tack  4 pcs.

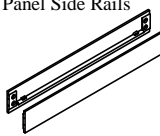




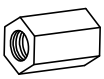






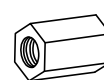

Hardware and Parts packed with the Footboard

27171 - Queen Uph Footboard  (F-A1) 1 pc.	Wood Slat 61-1/4" long  (F-B) 1 Set.	Slat Support Leg 6-3/4" x 1-1/4" x 1-1/4"  (F-C) 5 pcs.	#8 x 1" Wood Screw  (F-D) 10 pcs.	Upholstery Tack  4 pcs.	Screw Driver not included 
---	--	---	---	---	---

Hardware and Parts packed with the Storage Footboard

27173 Uph Storage Footboard  (F-A2) 1 pc.	Wood Slat 61-1/4" long  (F-B) 1 Set.	Slat Support Leg 6-3/4" x 1-1/4" x 1-1/4"  (F-C) 5 pcs.	#8 x 1" Wood Screw  (F-D) 10 pcs.	Upholstery Tack  4 pcs.	Screw Driver not included 
--	---	---	--	--	---

Hardware and Parts packed with the Bed Rail

27172 Panel Side Rails  (R-A1) 2 pcs.	Ø5/16"-18 x 3-1/2" All-Thread Bolt  (R-B) 8 pcs.	Ø5/16" Curved Washer  (R-C) 8 pcs.	Ø5/16" x 16*2mm Flat Washer  (R-D) 8 pcs.	Ø5/16" Spring Washer  (R-E) 8 pcs.	Ø5/16 x L17 Nut  (R-F) 8 pcs.	Open Wrench 12mm  (R-G) 1 pc.
27176 Uph Side Rails  (R-A2) 2 pcs.	Ø5/16"-18 x 3-1/2" All-Thread Bolt  (R-B) 8 pcs.	Ø5/16" Curved Washer  (R-C) 8 pcs.	Ø5/16" x 16*2mm Flat Washer  (R-D) 8 pcs.	Ø5/16" Spring Washer  (R-E) 8 pcs.	Ø5/16 x L17 Nut  (R-F) 8 pcs.	Open Wrench 12mm  (R-G) 1 pc.

Upholstery Tack



4 pcs.

5/0 Queen Bed

27170 -- 5/0 Uph Headboard
27171 -- 5/0 Uph Footboard
27172 -- 5/0-6/6 Panel Side Rails

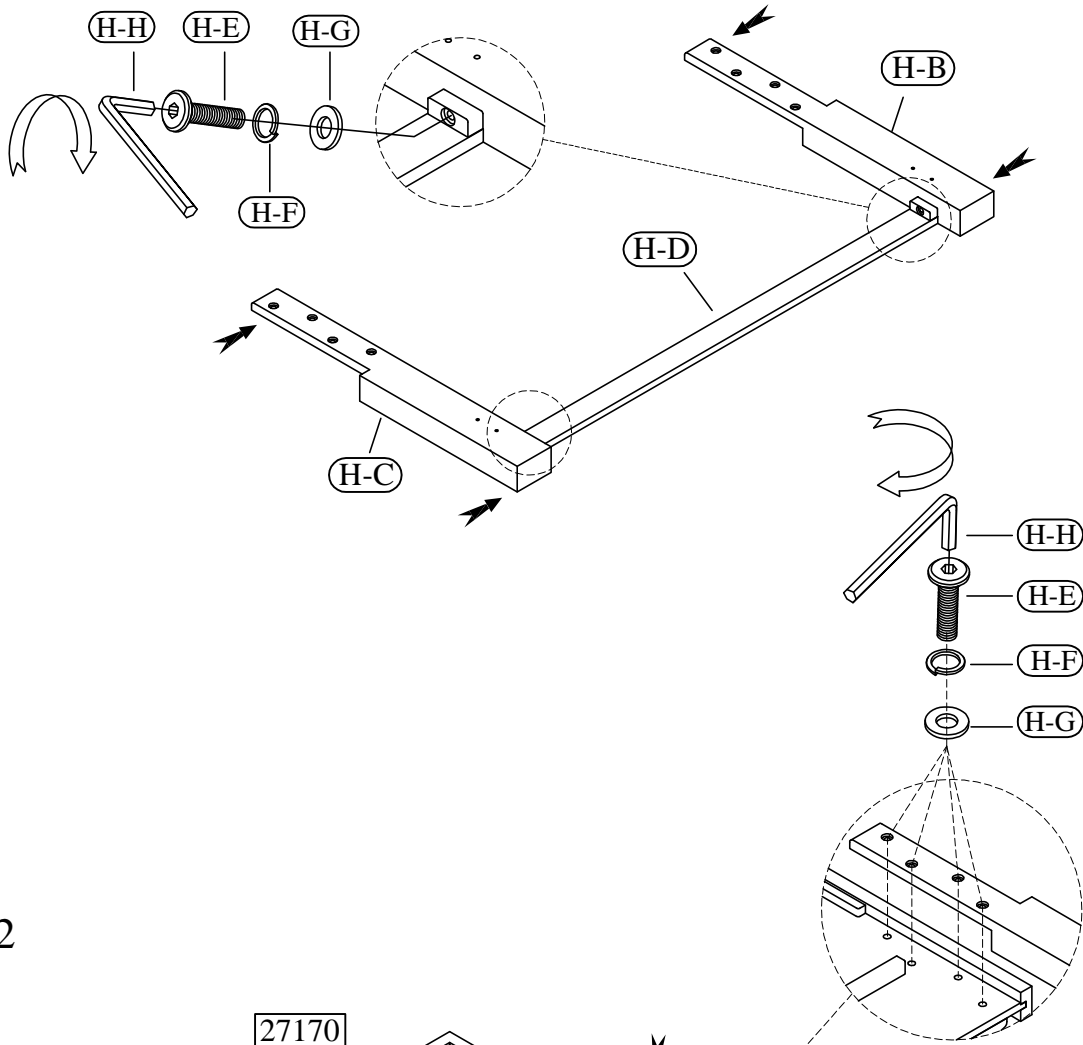
5/0 Queen Storage Bed

27170 -- 5/0 Uph Headboard
27173 -- 5/0 Uph Storage Footboard
27176 -- 5/0-6/6 Storage Bed Rails

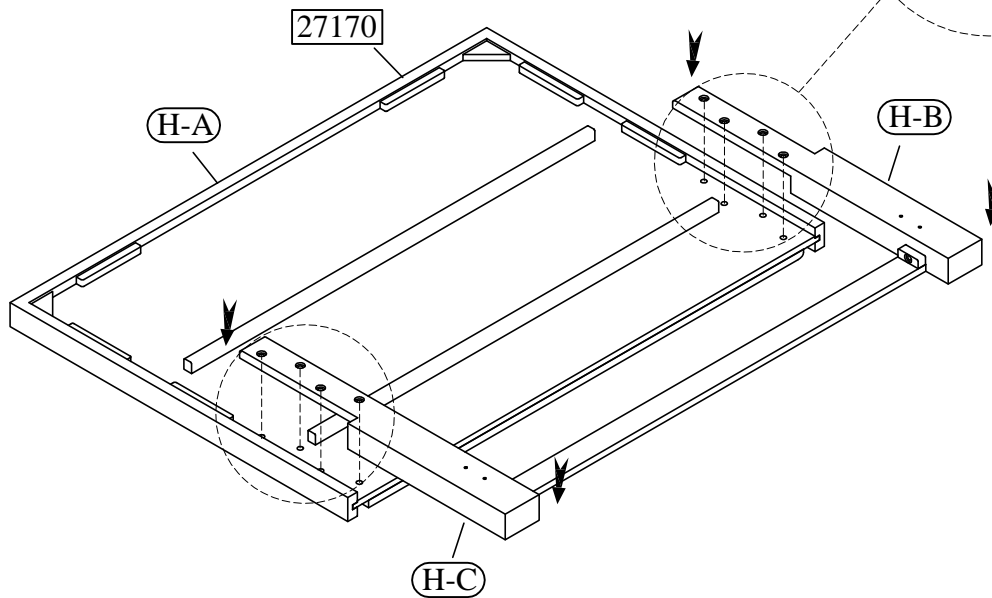
Queen Bed

27170 --5/0 Uph Headboard

STEP 1



STEP 2

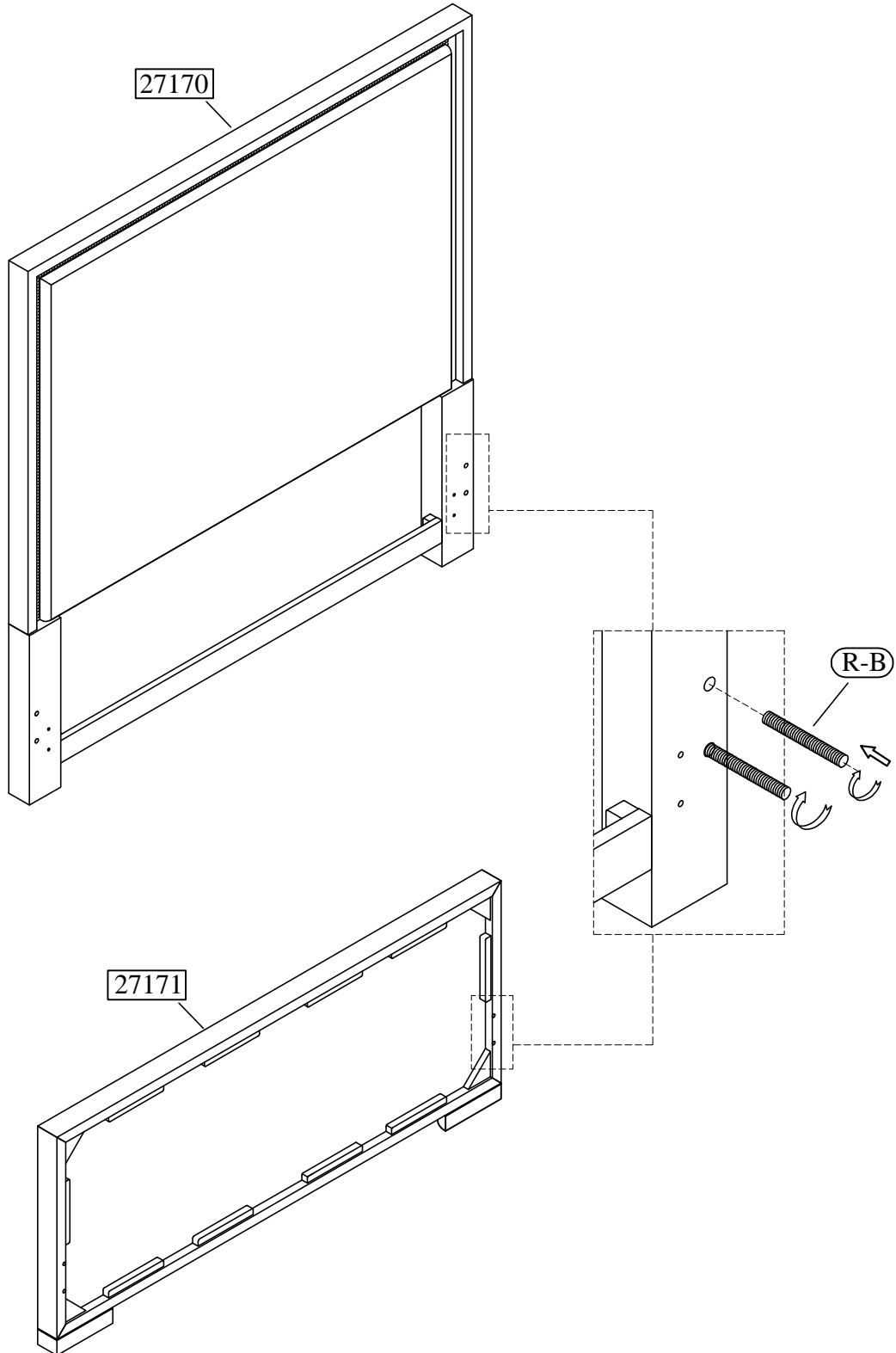


Queen Bed

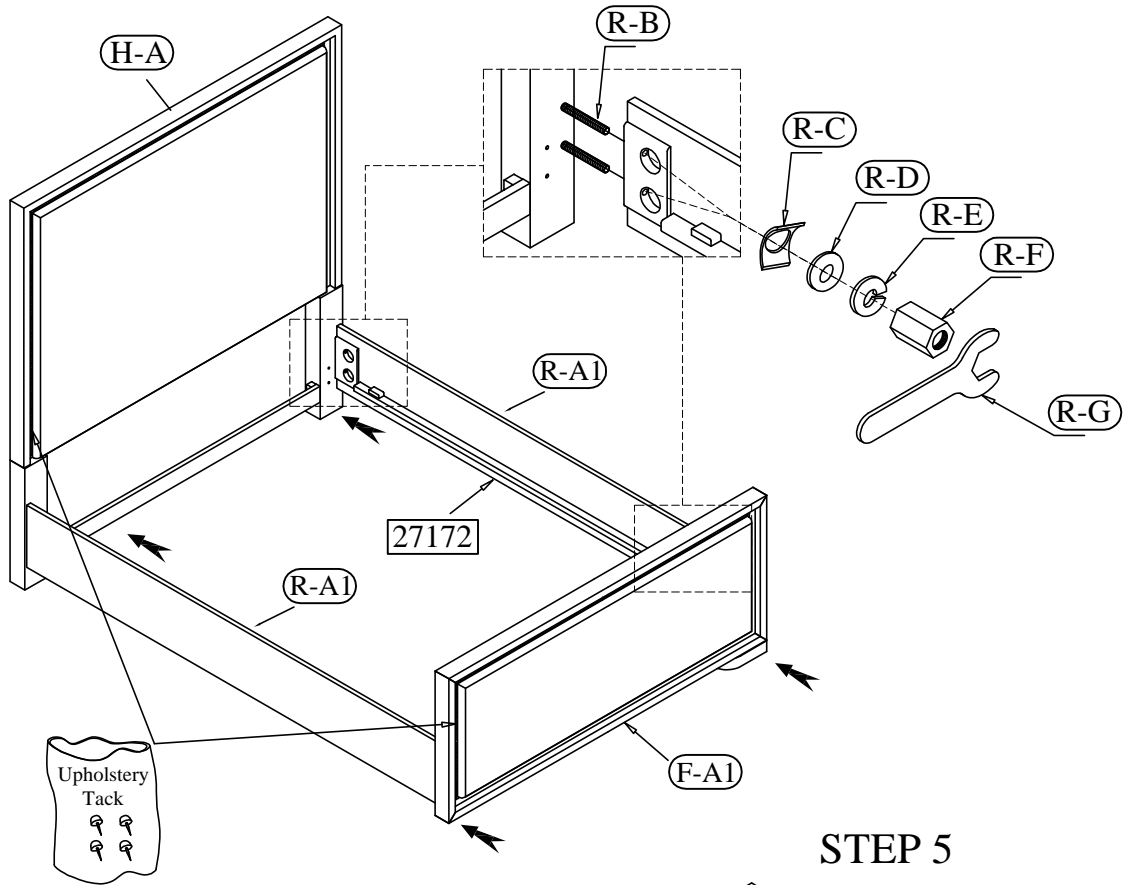
27170 -- 5/0 Uph Headboard

27171 -- 5/0 Uph Footboard

STEP 3

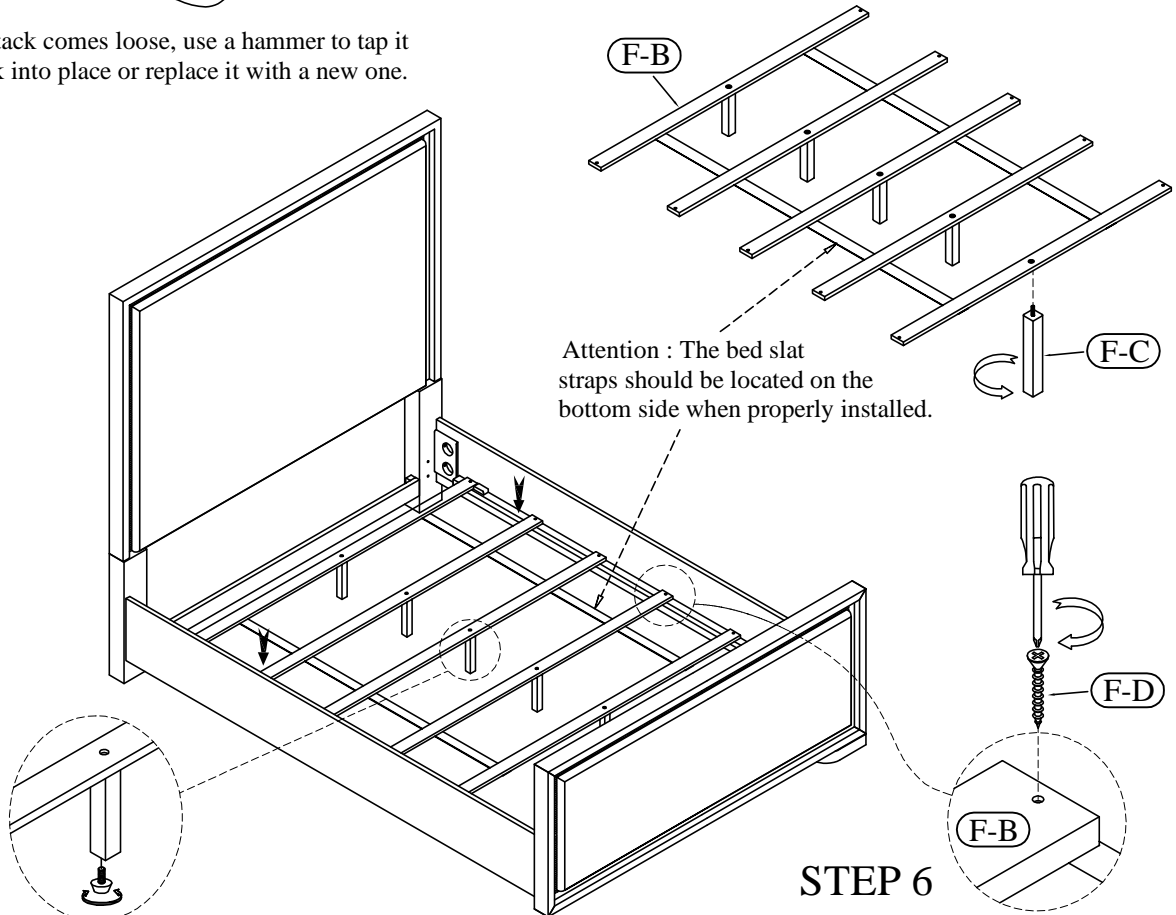


STEP 4



If a tack comes loose, use a hammer to tap it back into place or replace it with a new one.

STEP 5



Adjustable Leveler

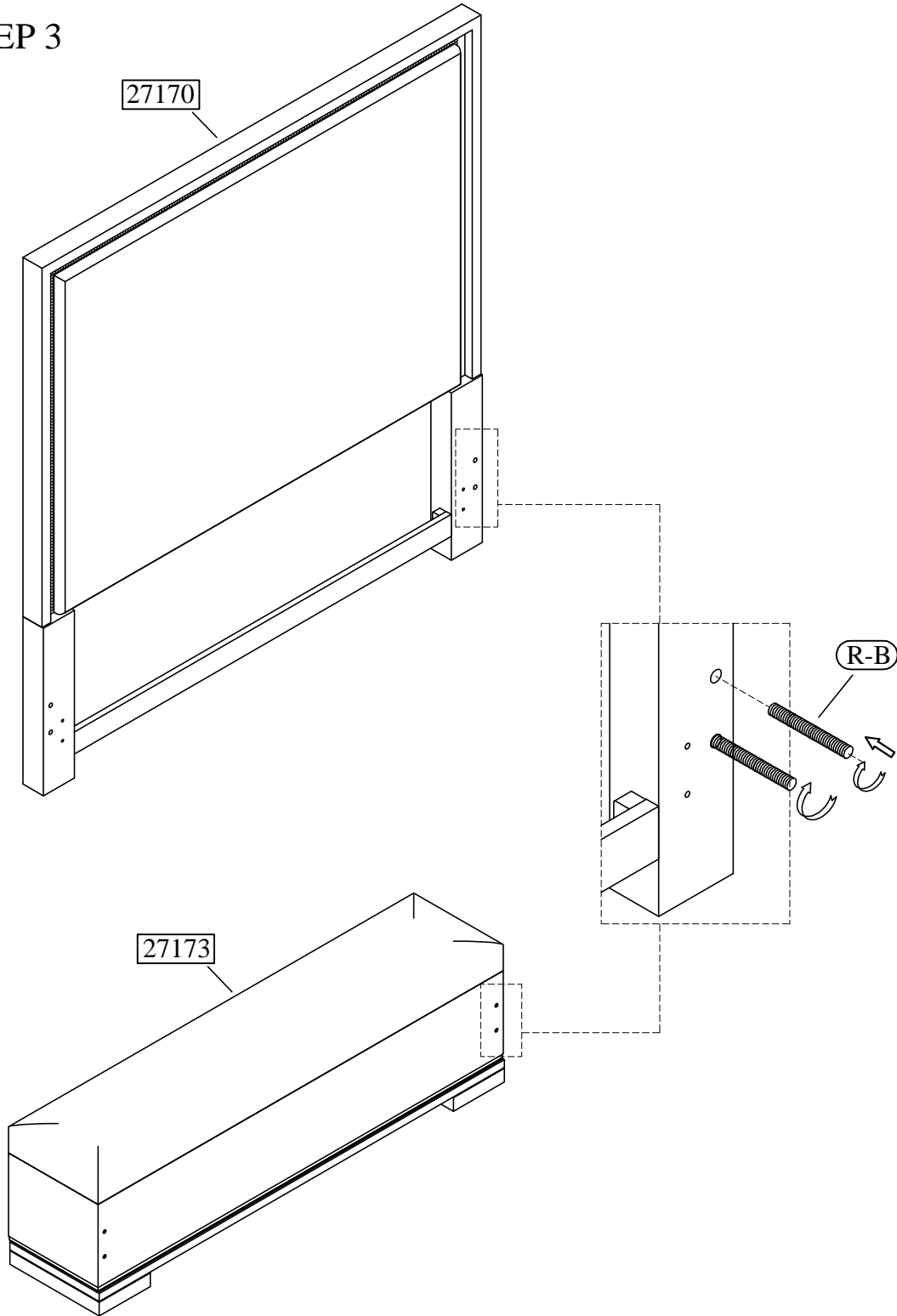
STEP 6

5/0 Queen Storage Bed

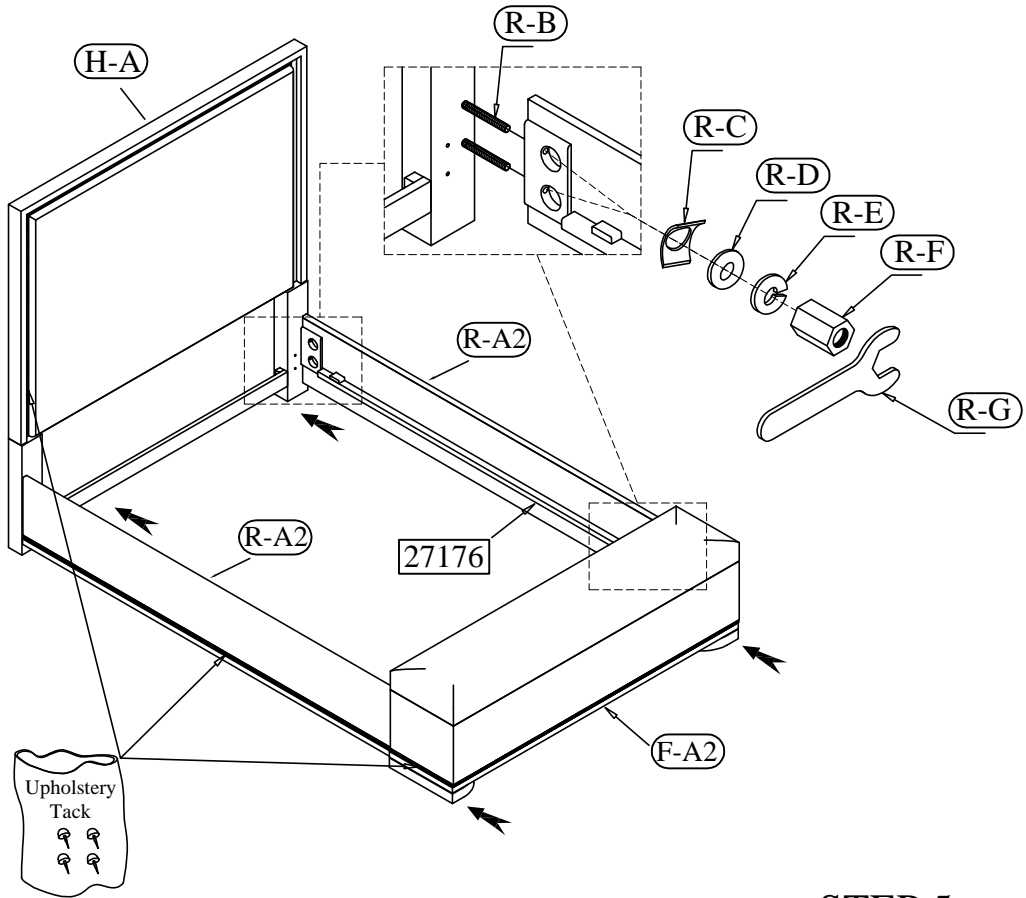
27170 -- 5/0 Uph Headboard

27173 -- 5/0 Uph Storage Footboard

STEP 3

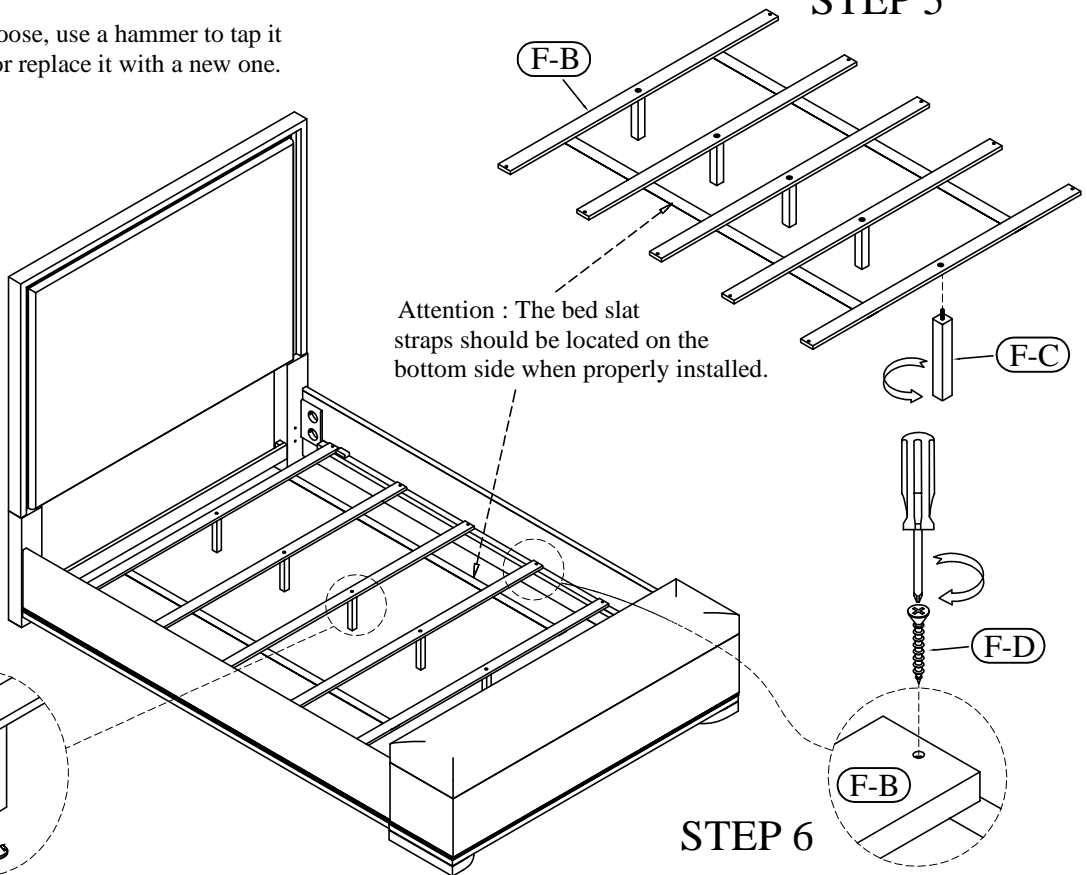


STEP 4



If a tack comes loose, use a hammer to tap it back into place or replace it with a new one.

STEP 5



Attention : The bed slat straps should be located on the bottom side when properly installed.

Adjustable Leveler

STEP 6