





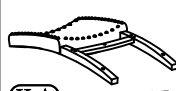


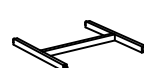
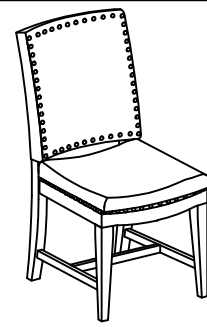


Components and Hardware List

Allen Head Bolt Ø8 x 40mm  (H1) 5 pcs.	Allen Head Bolt Ø8 x 85mm  (H2) 4 pcs.	Lock Washer Ø9 x Ø13mm  (H3) 9 pcs.	Flat Washer Ø8 x Ø20mm  (H4) 9 pcs.	Allen Key 4 x 110mm  (H5) 1 pc.
Wood Screw Ø4 x 50mm  (H6) 4 pcs.	Chair Back  (H-A) 1 Pc.	Chair Seat  (H-B) 1 Pc.	Front Legs (Right & Left)  (H-C) 2 Pcs.	Stretcher  (H-D) 1 Pc.



Upholstered Side Chair
23657

Be sure to check all packing material carefully for small parts, which may have come loose inside the carton during shipment. Separate, count and check all parts against the Components and Hardware List above. Failure to use the correct length bolts in the proper locations may result in an unsafe product and could also cause damage to the parts being assembled.

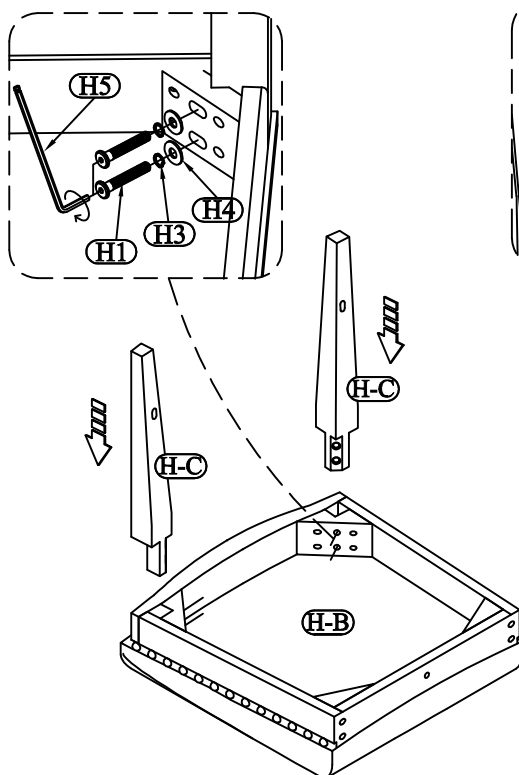
To prevent damage, assemble on a soft surface such as a blanket or carpet.

Please note:

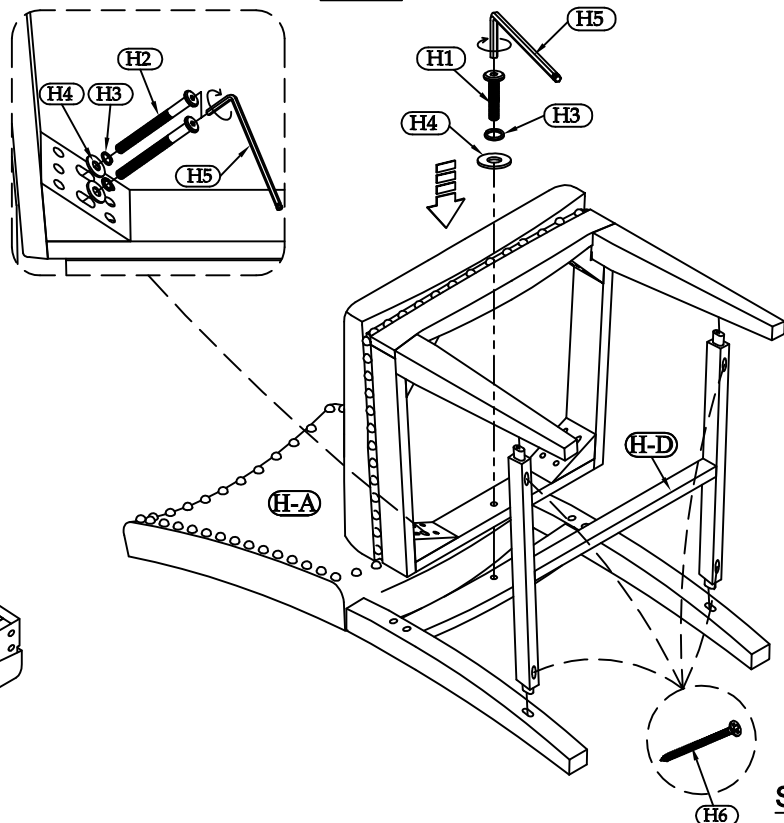
Do not fully tighten the bolts until the complete chair has been assembled. Once the complete chair is assembled, set it upright on a flat surface to level the chair. Using the provided Allen Key, tighten all the bolts.

Make sure the stretchers are pulled snug to the front and back legs, then install the wood screws (H6) using your Phillips screwdriver.

Step 1:



Step 2



Step 3

