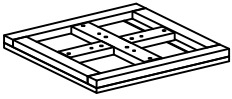

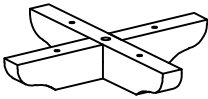
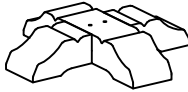




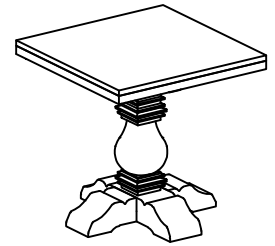


**Components and Hardware List**

<p>Table Top</p>  <p>(H-A) 1 pc.</p>	<p>Table Column</p>  <p>(H-B) 1 pc.</p>	<p>Bridge</p>  <p>(H-C) 1 pc.</p>	<p>Table Base</p>  <p>(H-D) 1 pc.</p>
<p>Ø8 x 85mm Allen Head Bolt</p>  <p>(H1) 7 pcs.</p>	<p>Ø9 x Ø13mm Lock Washer</p>  <p>(H2) 7 pcs.</p>	<p>Ø8 x Ø16mm Flat Washer</p>  <p>(H3) 7 pcs.</p>	<p>4 x 110mm Allen Key</p>  <p>(H4) 1 pc.</p>

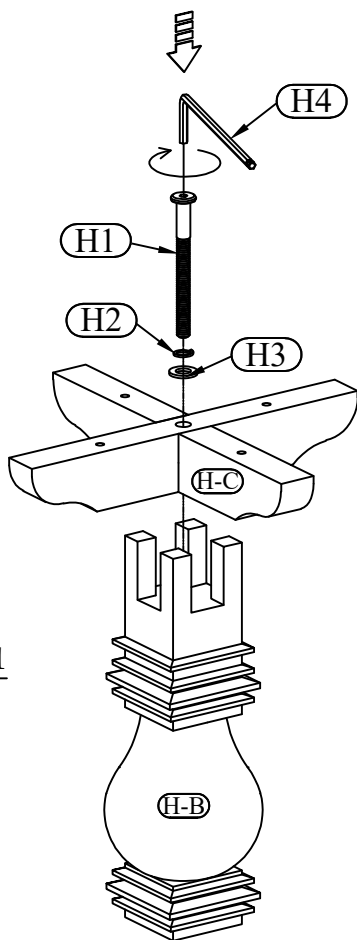


**End Table**  
23609

Be sure to check all packing material carefully for small parts, which may have come loose inside the carton during shipment. Separate and check all parts against the Components and Hardware List above.

To prevent damage, assemble on a soft surface such as a blanket or carpet.

**STEP 1**



**STEP 2**

