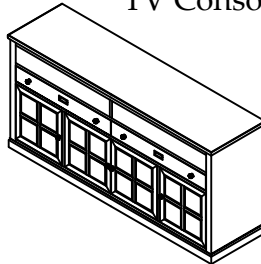

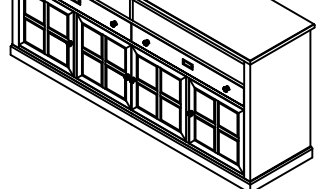


Be sure to check all packing material carefully for small parts, which may have come loose inside the carton during shipment. Separate, count and check all parts against the Components and Hardware List below.

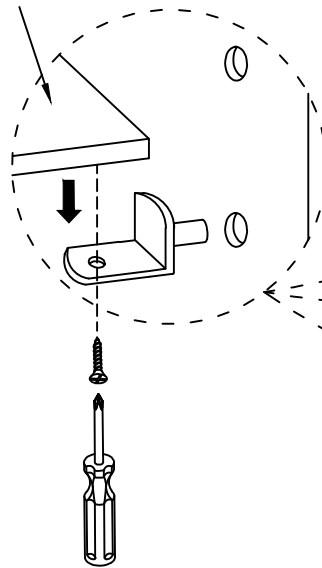
**Component And Hardware List**

<p>(A)  1 PC.</p>	<p>(B)  2 PCS.</p>	<p> #22541 68-IN TV CONSOLE</p>
--	---	--

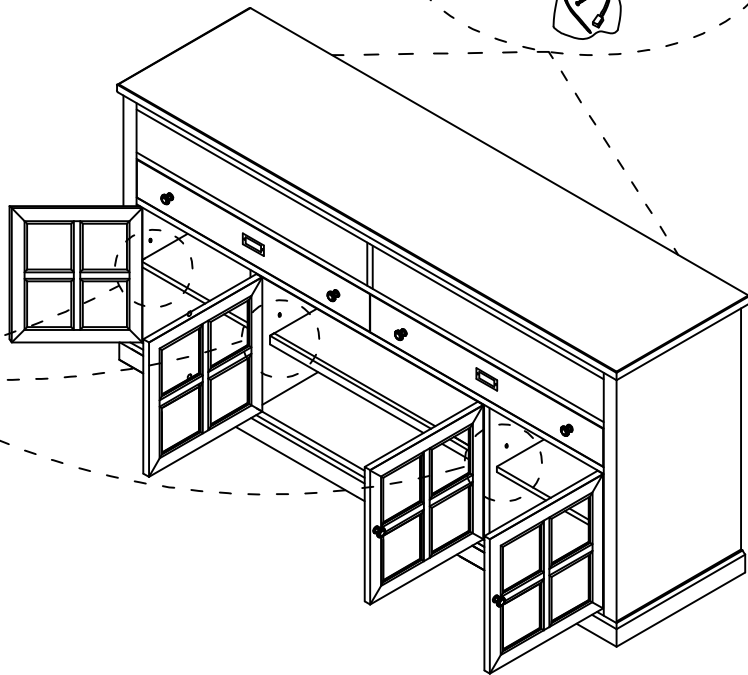
For product and personal safety, Furniture Tipping Restraint kits have been included with this unit which can help to minimize the risk of the unit accidentally tipping forward, if used and properly installed per the manufacturer's instructions.

**DETAIL A**

Adjustable Shelf



Furniture Tipping Restraint Kit (B)



\* Phillips head screw driver is not provided

1. The Adjustable Shelves located behind the doors were secured for shipping. They can be moved to a different position by removing the attaching screws located underneath each shelf with your Phillips Screw driver , as shown in **DETAIL A**.
2. Adjustable levelers are installed in the bottom of the unit and can be adjusted to compensate for uneven flooring if needed.

**THANK YOU FOR YOUR PURCHASE.**