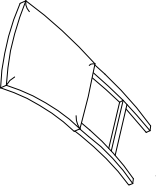
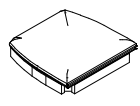
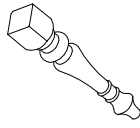
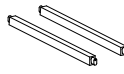
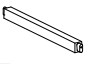
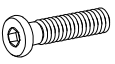
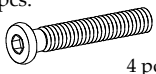
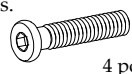

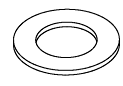

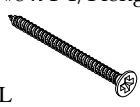
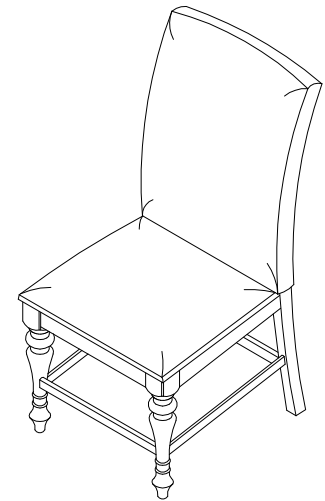


## Components and Hardware List (for one Stool)

<p>Back</p>  <p>A 1 pc.</p>	<p>Seat</p>  <p>B 1 pc.</p>	<p>Front Legs</p>  <p>C 1 pc. Left 1 pc. Right</p>	<p>Side Stretcher</p>  <p>D 1 pc. Left 1 pc. Right</p>
<p>Front Stretcher</p>  <p>E 1 pc.</p>	<p>Ø5/16-18 x 1-3/4" Long Allen-Head Bolt</p>  <p>F 1 pc.</p>	<p>Ø5/16-18 x 3-1/4" Long Allen-Head Bolt</p>  <p>G 4 pcs.</p>	<p>Ø5/16-18 x 2-1/4" Long Allen-Head Bolt</p>  <p>H 4 pcs.</p>
<p>Ø5/16" x 12 x 3mm Spring Washer</p>  <p>I 9 pcs.</p>	<p>Ø5/16" x 19 x 2mm Flat Washer</p>  <p>J 9 pcs.</p>	<p>5mm Allen Wrench</p>  <p>K 1 pc.</p>	<p>Wood Screw #8 x 1-1/4 long</p>  <p>L 6 pcs.</p>

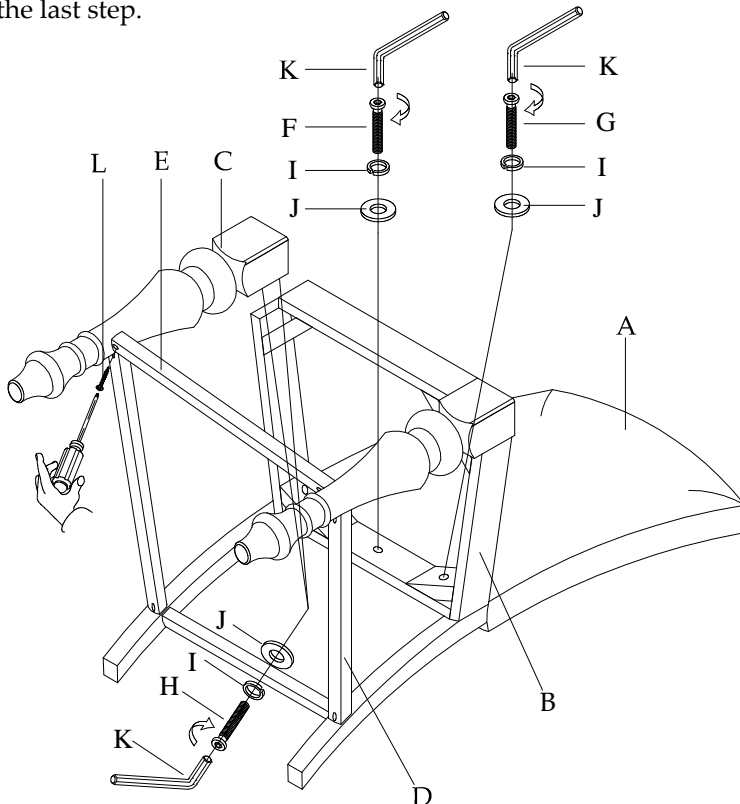


21538 & 21738  
Upholstered Stool

Be sure to check all packing material carefully for small parts, which may have come loose inside the carton during shipment. Separate, count and check all parts against the Components and Hardware List above. Failure to use the correct length bolts in the proper locations may result in an unsafe product and could also cause damage to the parts being assembled.

**Step 1:** Place the Chair Back (A) on a padded surface, and assemble the chair Seat (B) to the Chair Back as shown, using the 1-3/4" long Bolt (F) Spring Washers (I) and Flat Washers (J), in the middle of the back as shown. Install the 3-1/4" long Bolts (G), using the same washers, into the back corners of the Chair Seat. Do not fully tighten any Bolts until after chair has been completely assembled.

**Step 2:** Assemble the Left and Right Side Stretchers (D) to the Chair Back. Do not install Wood Screws until the last step.



**Step 3:** Assemble the Front Stretcher (E) between the Left and Right Front Legs, and assemble all to the front corners of the Seat and Side Stretchers. Pull all parts together snug to verify all are assembled correctly.

**Step 4:** attach the Front Legs to the Chair Seat using the 2-1/4" long Bolts (H), and the same washers as before.

**Step 5:** Set the assembled Chair upright on a flat surface to level chair. Reach underneath the Chair Seat and tighten all Bolts using the Allen Wrench (K).

**Step 6:** Using your Phillips Screwdriver, install the Wood screws under the ends of the Stretchers while pulling the Stretcher snug to the Leg.