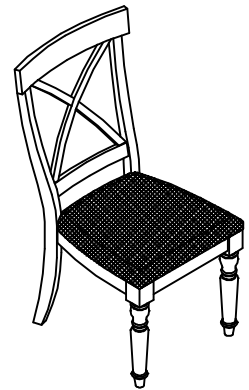











Warning :

- Be sure to check all packing material carefully for small parts, which may have come loose inside the carton during shipment.
- To prevent possible scratches and damage, this furniture must be assembled on a soft surface such as a blanket or carpet.

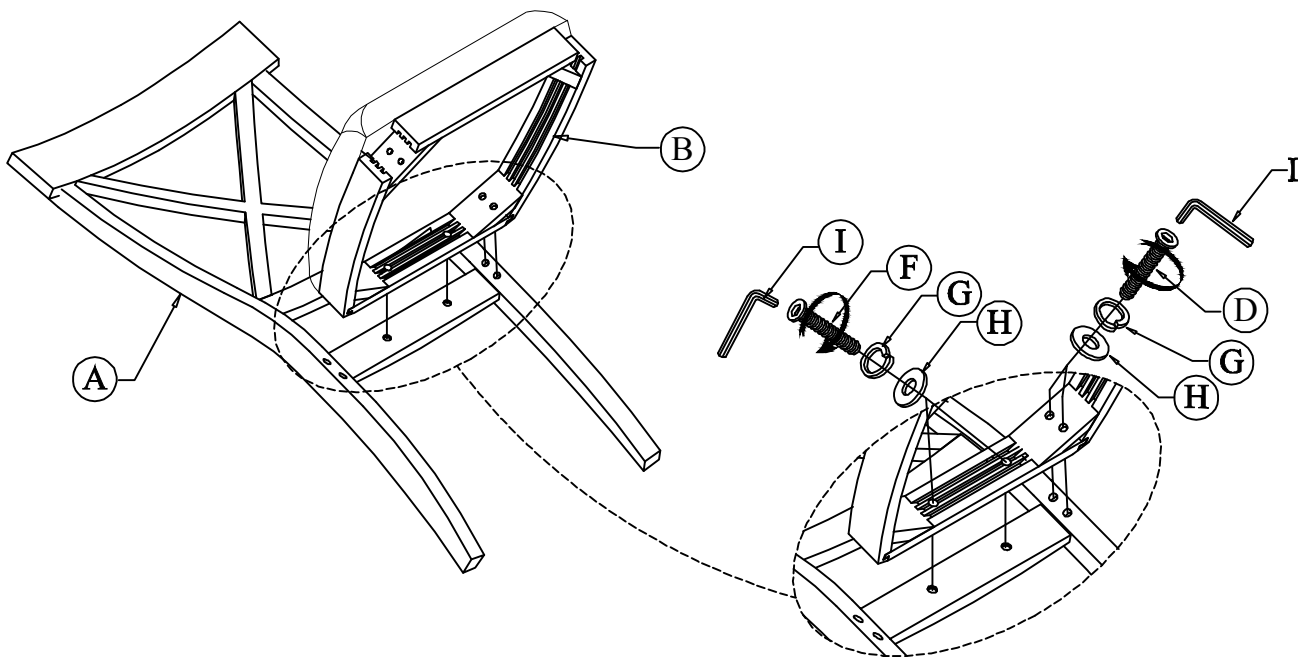


21258 - 21358
X-back Uph Side Chair

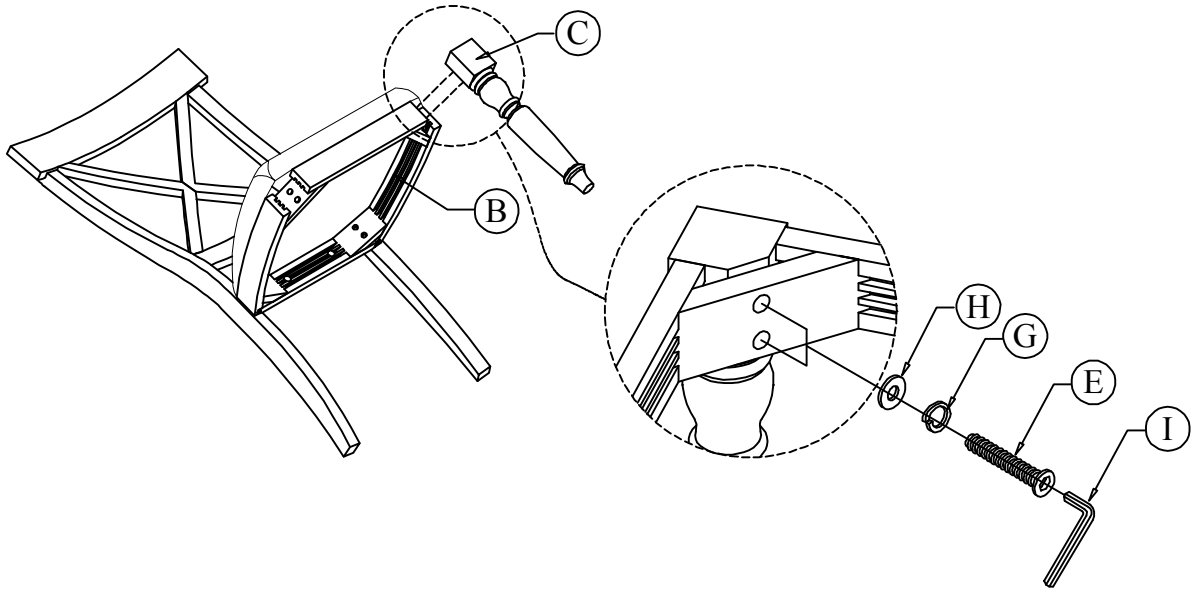
Components and Hardware List

<p>Chair Back</p>  <p>A 1 pc.</p>	<p>Chair Seat</p>  <p>B 1 pc.</p>	<p>Front Leg</p>  <p>C 2 pcs.</p>	<p>Allen Head Bolt 5/16"-18 x 3-1/4"</p>  <p>D 4 pcs.</p>	<p>Allen Head Bolt 5/16"-18 x 2-1/4"</p>  <p>E 4 pcs.</p>
<p>Allen Head Bolt 5/16"-18 x 1-1/2"</p>  <p>F 2 pcs.</p>	<p>Spring Washer 5/16"</p>  <p>G 10 pcs.</p>	<p>Flat Washer 5/16" x 19 x 2mm</p>  <p>H 10 pcs.</p>	<p>Allen Key 5mm</p>  <p>I 1 pc.</p>	

Step 1: F x 2pcs
D x 4pcs



Step 2: E x 4pcs



Complete

