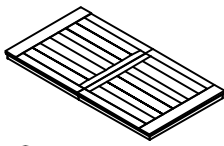
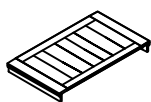
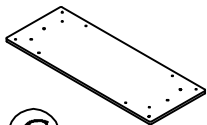
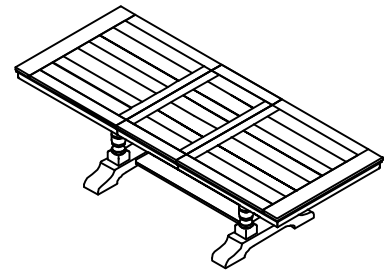
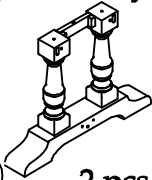
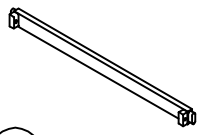

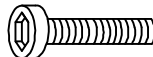


Components packed in the 21254 Table Top

<p>Table Top</p>  <p>(A) 1 set</p>	<p>Table Top Leaf</p>  <p>(B) 1 pc.</p>	<p>Lower Bridge Panel</p>  <p>(C) 1 pc.</p>
---	--	--






Components and Hardware packed in the 21255 Table Base

<p>Leg Assembly</p>  <p>(D) 2 pcs.</p>	<p>Top Stretcher</p>  <p>(E) 2 pcs.</p>	<p>Bottom Stretcher</p>  <p>(F) 1 pc.</p>	<p>M5/16" x 2" Long Allen Head Bolt</p>  <p>(G) 20 pcs.</p>
---	--	--	---

#21254
80-Inch Rectangular Dining Table-Top

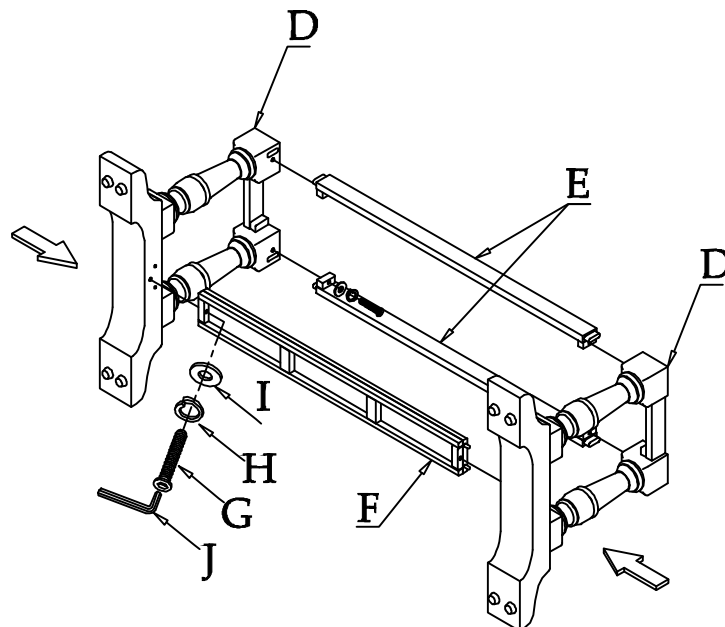
#21255
80-Inch Rectangular Dining Table Base

<p>5/16" Spring Washer</p>  <p>(H) 20 pcs.</p>	<p>5/16" x 19 x 2mm Flat Washer</p>  <p>(I) 20 pcs.</p>	<p>5mm Allen Key</p>  <p>(J) 1 pc.</p>
---	--	---

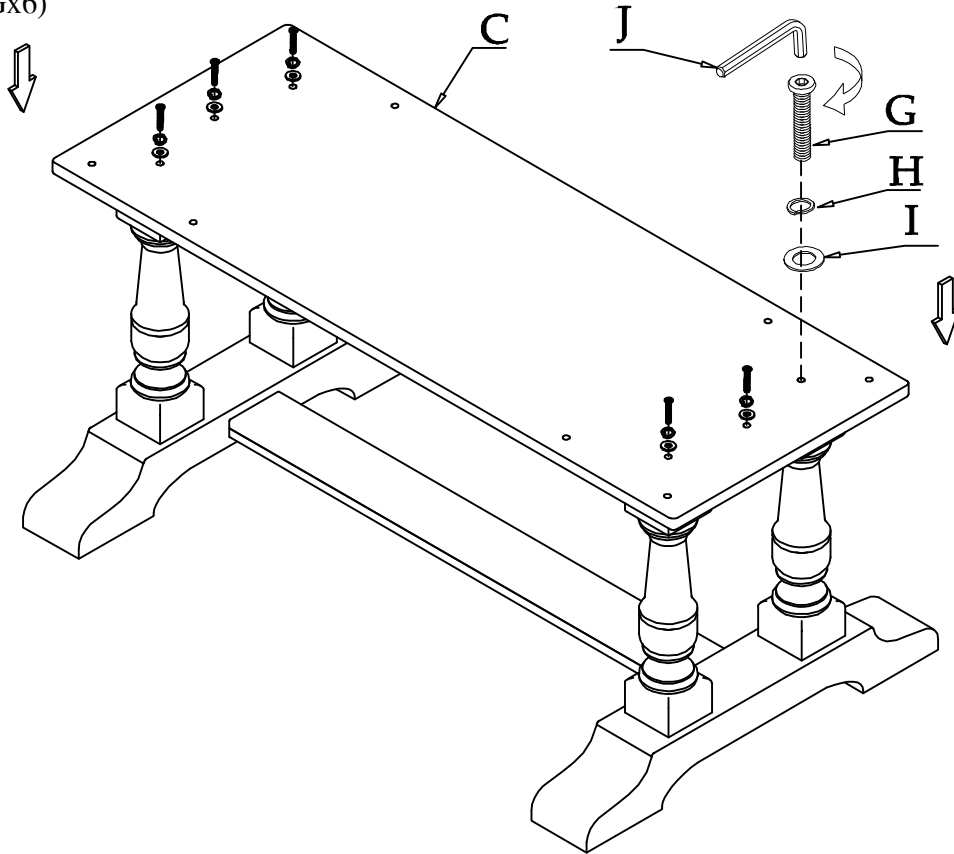
Be sure to check all packing material carefully for small parts, which may have come loose inside the carton during shipment.

To prevent possible scratches and damage, this furniture must be assembled by two people on a soft surface such as a blanket or carpet.

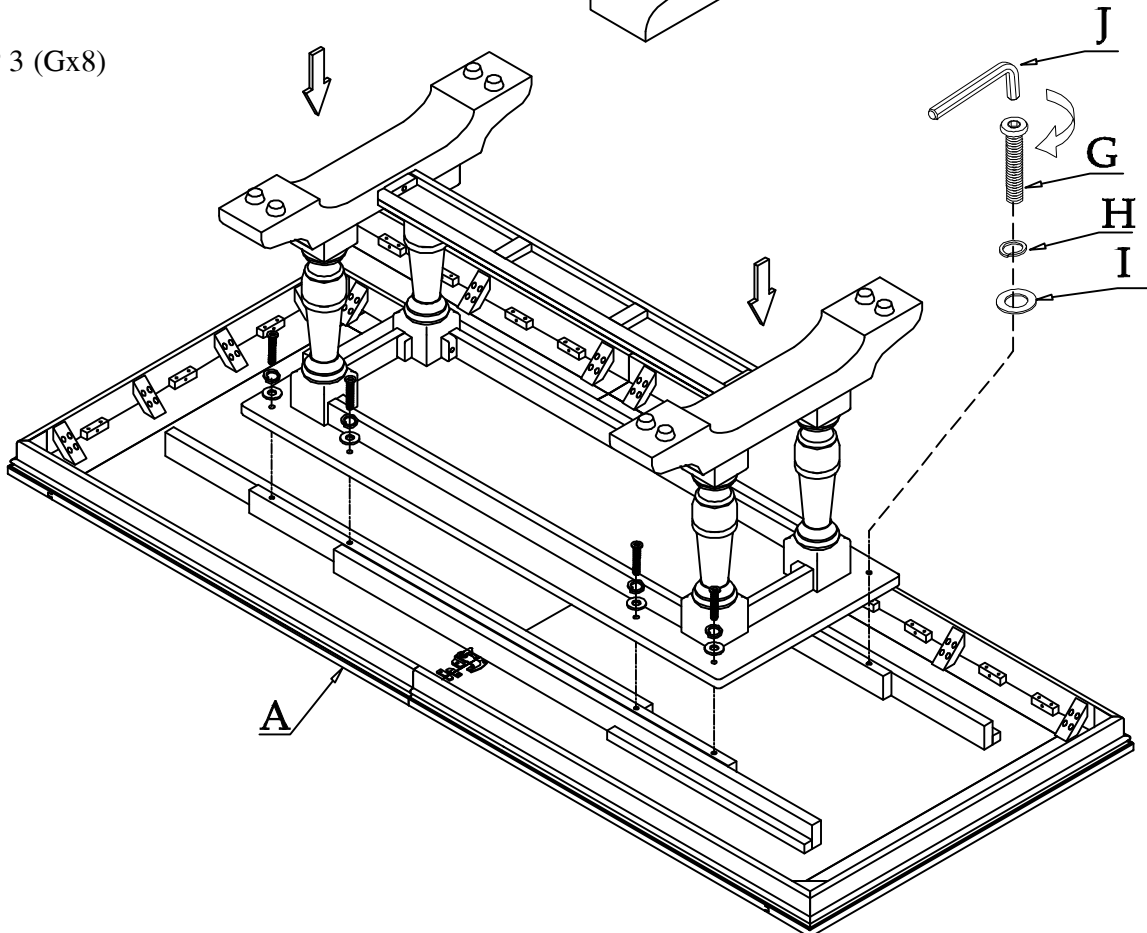
STEP 1 (Gx6)



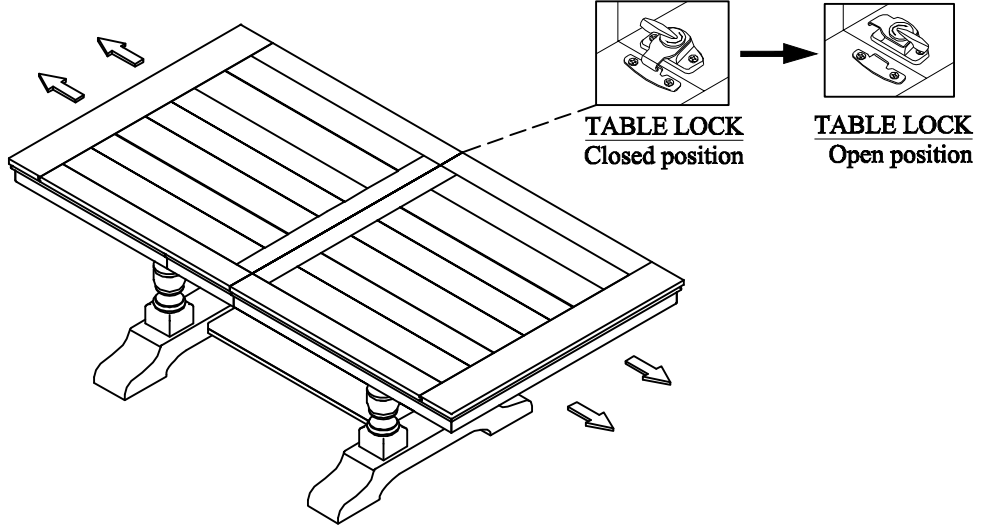
STEP 2 (Gx6)



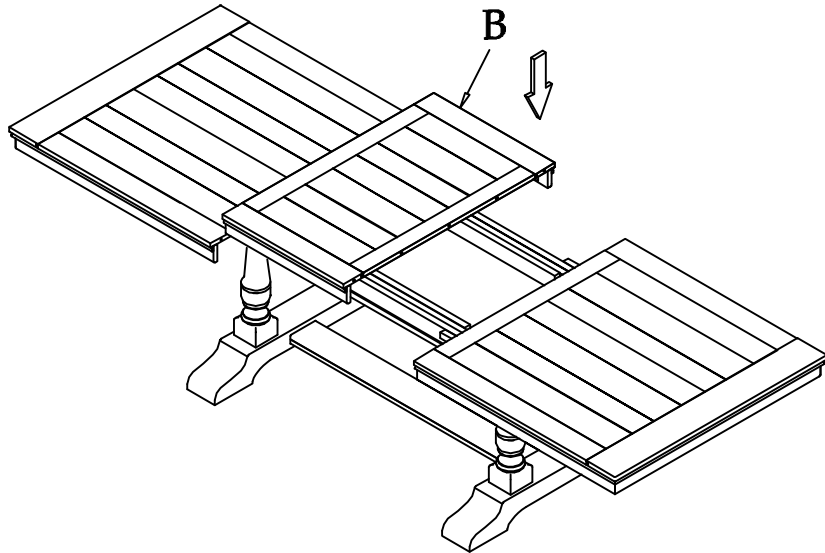
STEP 3 (Gx8)



STEP 4



STEP 5



STEP 6

