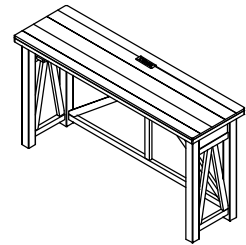
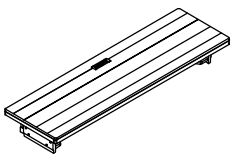
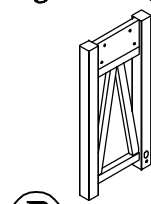
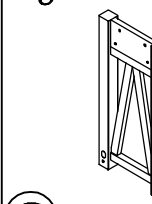
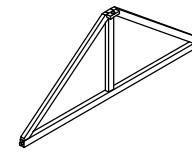


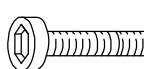
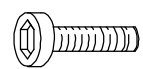




**Components and Hardware List**



#21216

Sofa Table W/3 Stools

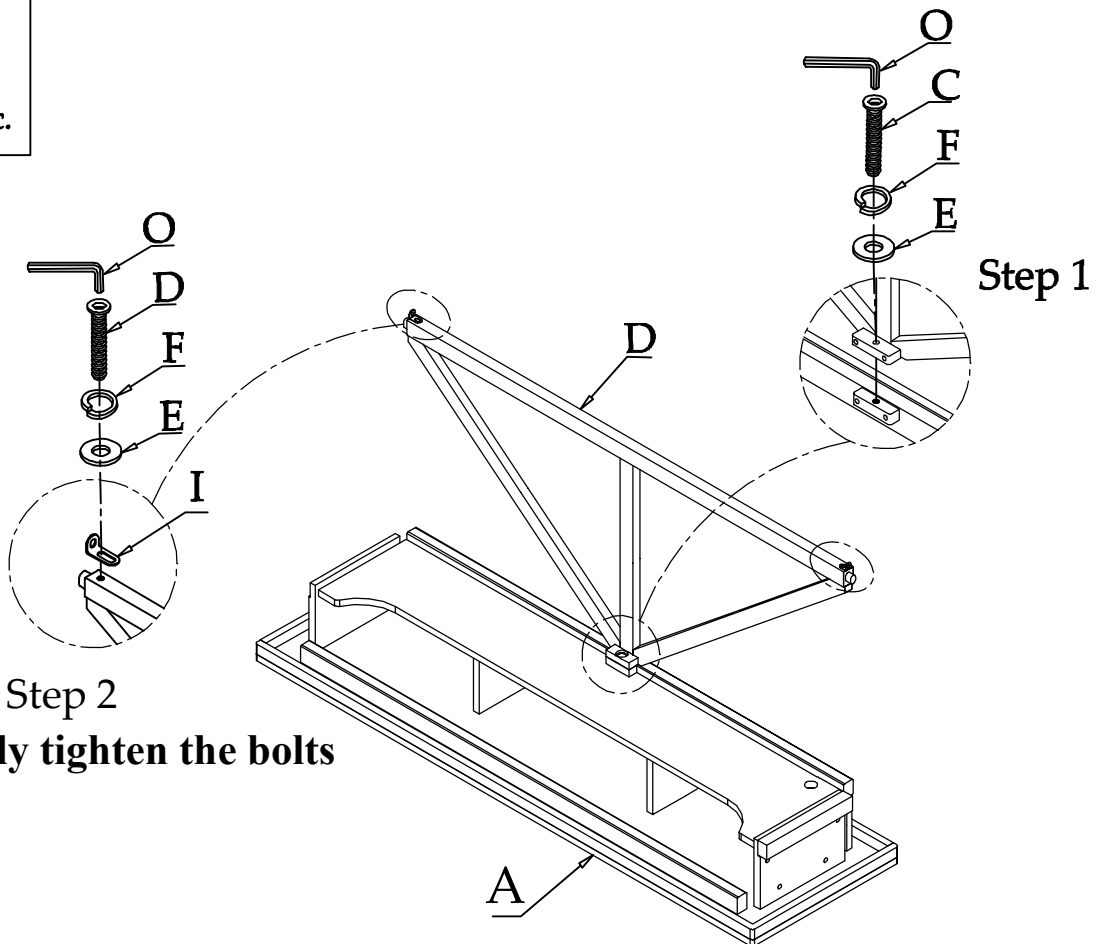
<p><b>Desk Top</b></p>  <p><b>(A)</b> 1 pc.</p>	<p><b>Leg Frame (Left)</b></p>  <p><b>(B)</b> 1 pc.</p>	<p><b>Leg Frame (Right)</b></p>  <p><b>(C)</b> 1 pc.</p>	<p><b>Back Frame</b></p>  <p><b>(D)</b> 1 pc.</p>	<p><b>L-Bracket</b></p>  <p><b>(G)</b> 2 pcs.</p>	<p><b>Anti-tip Restraint Kit</b></p>  <p><b>(H)</b> 2 pcs.</p>
<p><b>M5/16" x 1-1/2" Allen Head Bolt</b></p>  <p><b>(C)</b> 9 pcs.</p>	<p><b>M5/16" x 3/4" Allen Head Bolt</b></p>  <p><b>(D)</b> 4 pcs.</p>	<p><b>5/16" x 19*2mm Flat Washer</b></p>  <p><b>(E)</b> 13 pcs.</p>	<p><b>5/16"x12*3mm Spring Washer</b></p>  <p><b>(F)</b> 13 pcs.</p>		

**5 mm Allen Key**

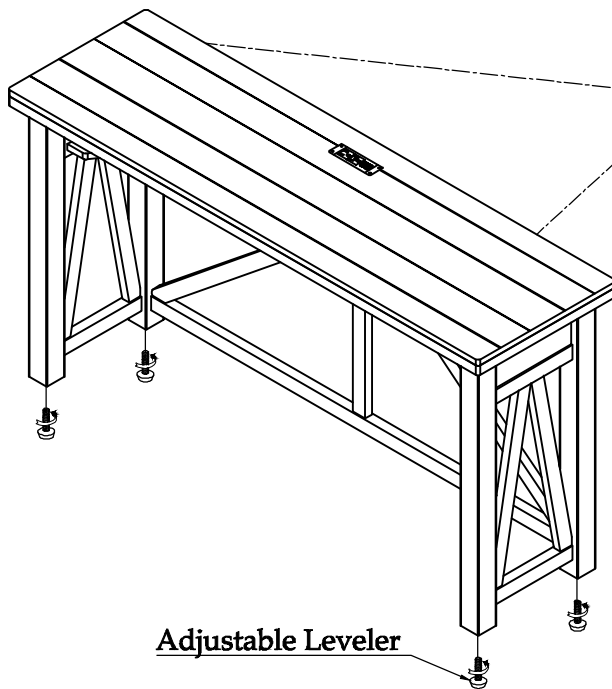
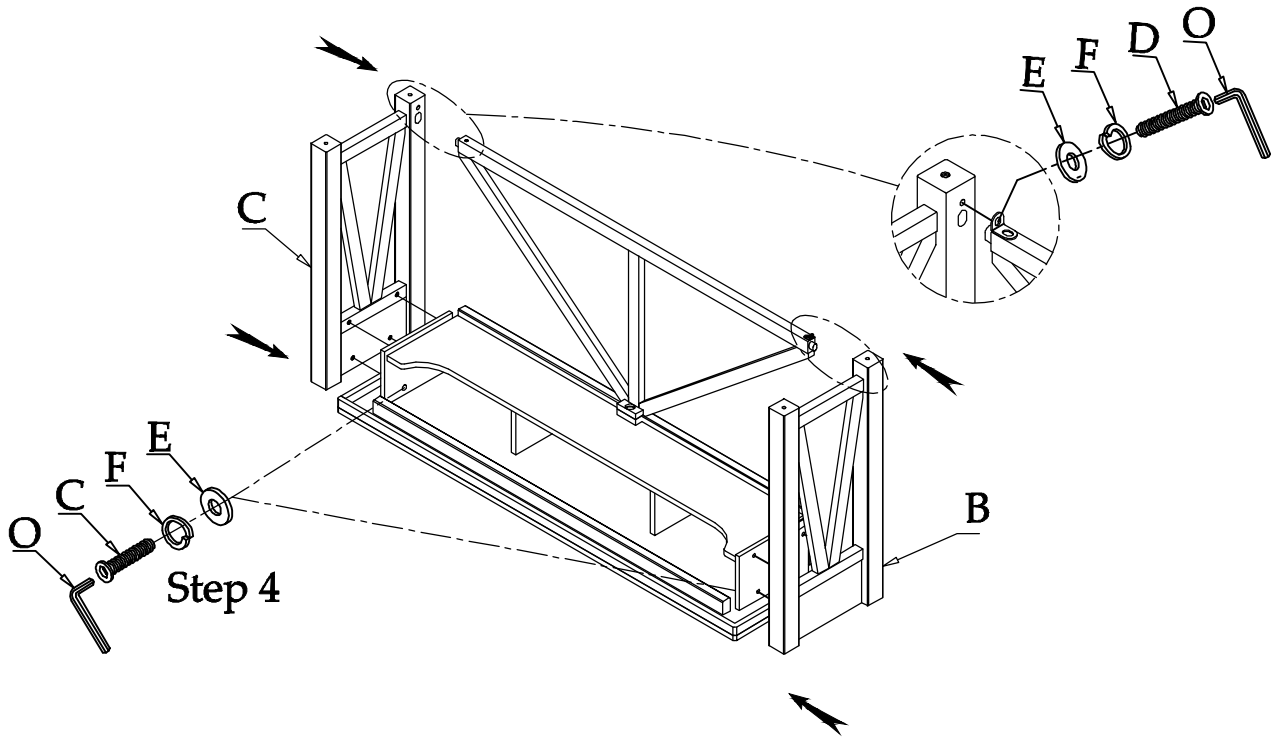


**(I)** 1 pc.

Be sure to check all packing material carefully for small parts, which may have come loose inside the carton during shipment.



**Step 3 : Using the Allen key tighten all bolts**



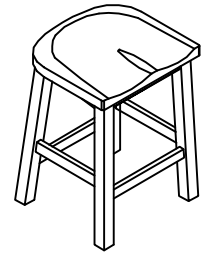
Adjustable Leveler



Anti-Tipping Restraint Kit  
(Inside White Plastic Bag)

For product and personal safety, Anti-Tip Restraint kit has been included with this cabinet which can help to minimize the risk of the cabinet accidentally tipping forward if used and properly installed

Components and Hardware List

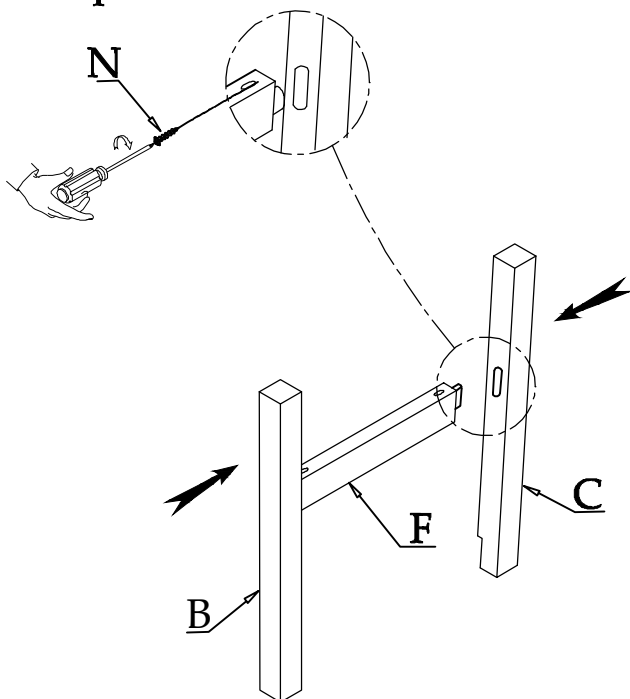


#21216 w/ 3 Stool

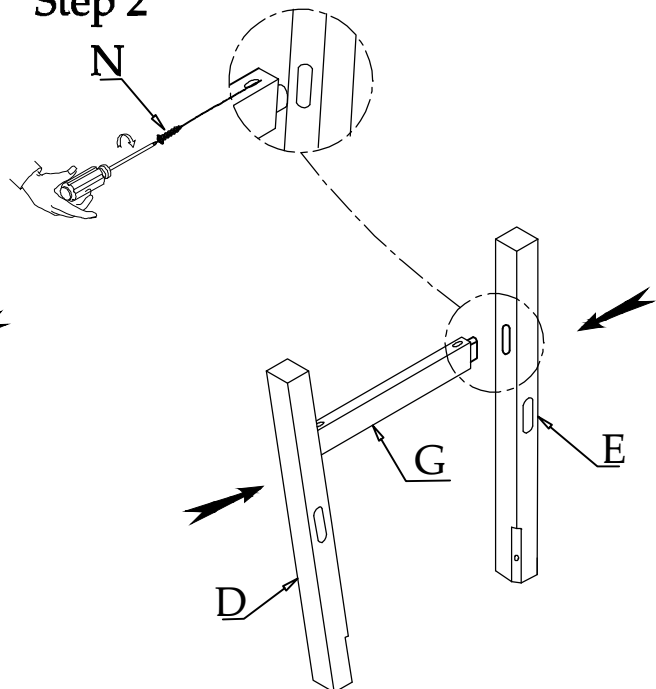
<p><b>Seat Chair</b></p> <p><b>(A)</b> 1 pc.</p>	<p><b>Front Leg (right)</b></p> <p><b>(B)</b> 1 pc.</p>	<p><b>Front Leg (left)</b></p> <p><b>(C)</b> 1 pc.</p>	<p><b>Back Leg (Right)</b></p> <p><b>(D)</b> 1 pc.</p>		
<p><b>Back Leg (left)</b></p> <p><b>(E)</b> 1 pc.</p>	<p><b>Front Strecher</b></p> <p><b>(F)</b> 1 pc.</p>	<p><b>Back Strecher</b></p> <p><b>(G)</b> 1 pc.</p>	<p><b>Side Strecher (Left)</b></p> <p><b>(H)</b> 1 pc.</p>	<p><b>Side Strecher (right)</b></p> <p><b>(I)</b> 1 pc.</p>	<p><b>M5/16" x 2-1/4" Allen Head Bolt</b></p> <p><b>(K)</b> 4 pcs.</p>
<p><b>5/16" x 19*2mm Flat Washer</b></p> <p><b>(L)</b> 4 pcs.</p>	<p><b>5/16"x12*3mm Spring Washer</b></p> <p><b>(M)</b> 4 pcs.</p>	<p><b>Screw #8 x 1-1/2"</b></p> <p><b>(N)</b> 8 pcs.</p>			

Be sure to check all packing material carefully for small parts, which may have come loose inside the carton during shipment.

**Step 1**

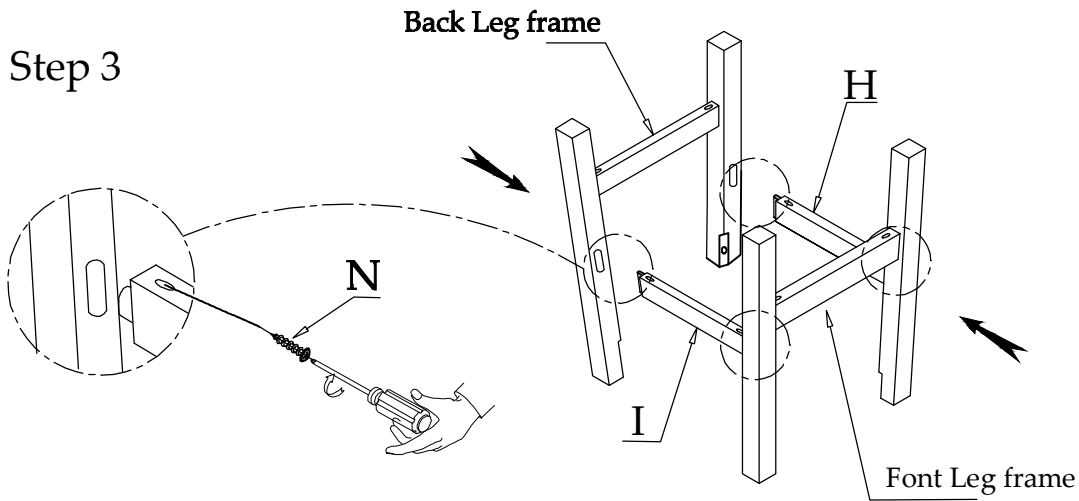


**Step 2**

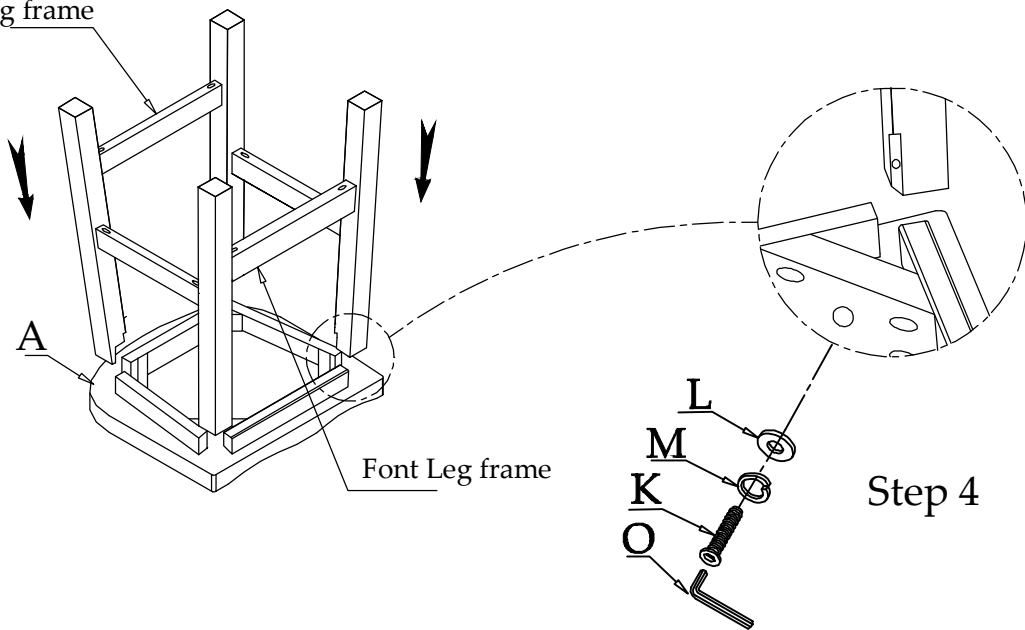


Components and Hardware List

Step 3



Back Leg frame



Complete

