


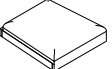
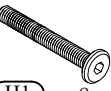



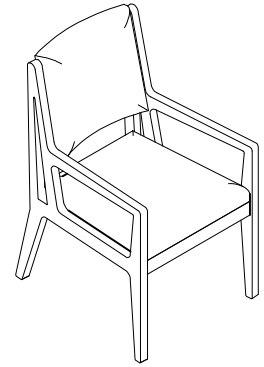


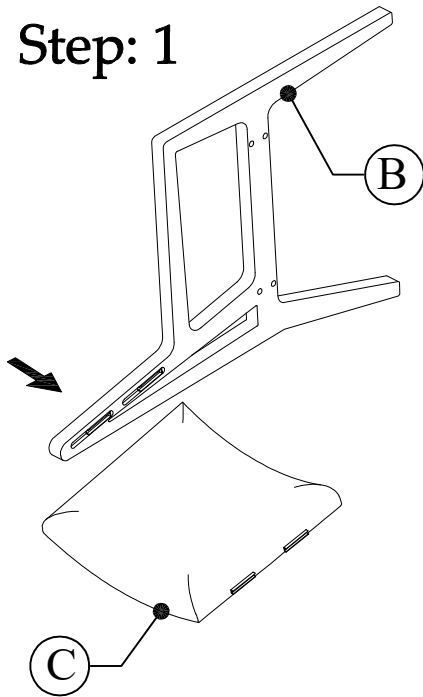
Components and Hardware List

<p>Left Chair Side</p>  <p>(A) 1 pc.</p>	<p>Right Chair Side</p>  <p>(B) 1 pc.</p>	<p>Chair Back</p>  <p>(C) 1 pc.</p>	<p>Seat Frame</p>  <p>(D) 1 pc.</p>	<p>Ø5/16" x 1-3/4" Allen Head Bolt</p>  <p>(H1) 8 pcs.</p>	<p>Ø5/16" Spring Washer</p>  <p>(H2) 8 pcs.</p>
<p>Ø5/16" x Ø19mm Flat Washer</p>  <p>(H3) 8 pcs.</p>	<p>5 mm Allen Wrench</p>  <p>(H4) 1 pc.</p>	<p>Be sure to check all packing material carefully for small parts, which may have come loose inside the carton during shipment.</p> <p>To prevent possible scratches and damage, this furniture must be assembled by two people on a soft surface such as a blanket or carpet.</p>			

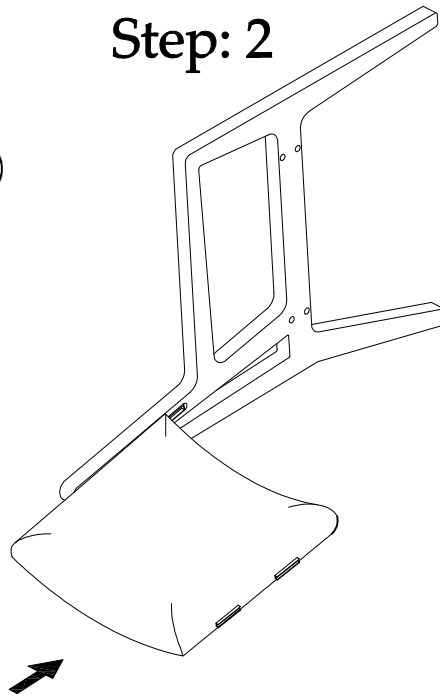


18657 Upholstered Arm Chair

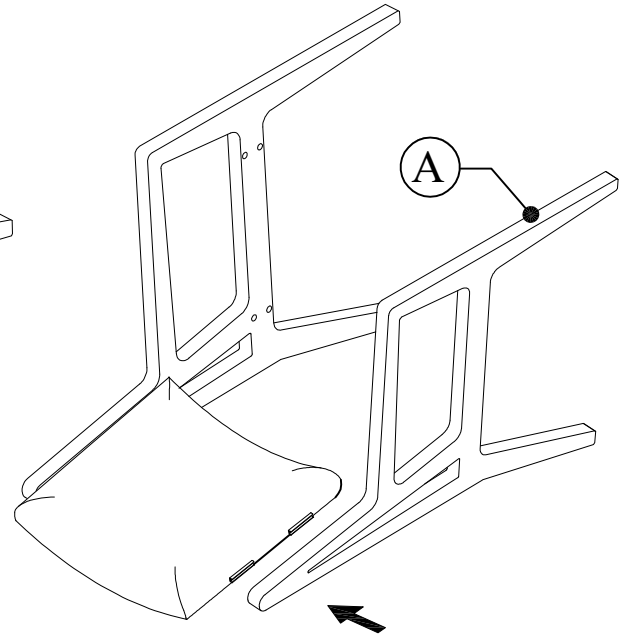
Step: 1



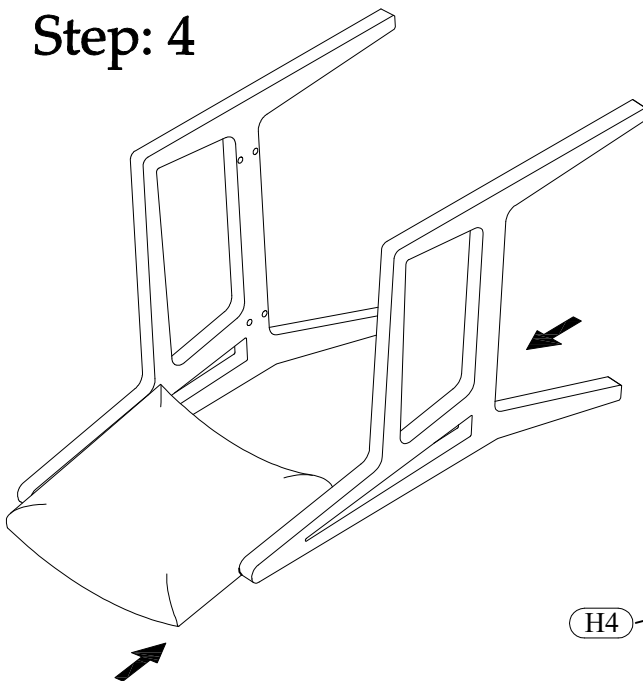
Step: 2



Step: 3



Step: 4



Step: 5

