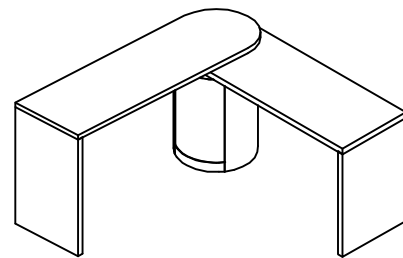


Warning :

- Be sure to check all packing material carefully for small parts, which may have come loose inside the carton during shipment.
- To prevent possible scratches and damage, this furniture **MUST BE ASSEMBLED BY TWO PEOPLE** on a soft surface such as a blanket or carpet.

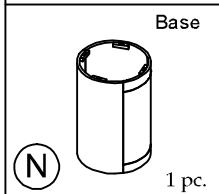


#18232
Swivel Desk Top
#18233
Swivel Desk Base

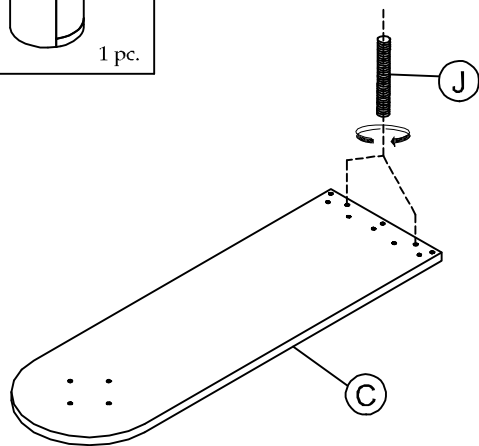
Components & Hardware packed with the # 18232 Desk Top

<p>Top Desk Top</p> <p>(A) 1 pc.</p>	<p>Top Desk Leg</p> <p>(B) 1 pc.</p>	<p>Bottom Desk Top</p> <p>(C) 1 pc.</p>	<p>Bottom Desk Leg</p> <p>(D) 1 pc.</p>	<p>Metal L</p> <p>(E) 2 pcs.</p>			
<p>Allen Head Bolt 5/16" x 1 1/2 "</p> <p>(F) 4 pcs.</p>	<p>Allen Head Bolt 5/16" x 7/8 "</p> <p>(G) 24 pcs.</p>	<p>Spring Washer 5/16"</p> <p>(H) 32 pcs.</p>	<p>Flat Washer 5/16" x 3/4"</p> <p>(I) 32 pcs.</p>	<p>All - Thread Bolt 5/16"x 2"</p> <p>(J) 4 pcs.</p>	<p>Hex Nut 5/16"</p> <p>(K) 4 pcs.</p>	<p>4mm x 4 3/8" Allen Key</p> <p>(L) 1 pcs.</p>	<p>Allen Wrench</p> <p>(M) 1 pc.</p>

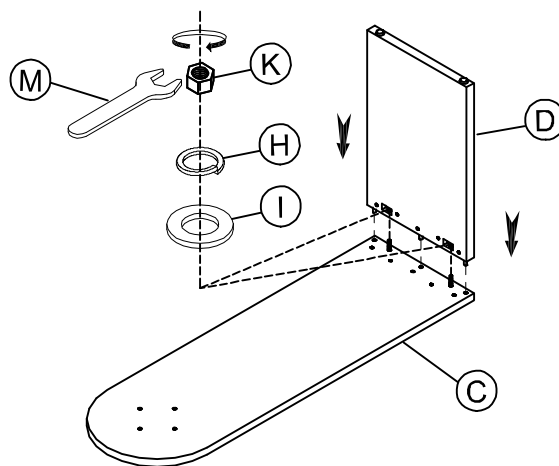
Components packed with the # 18233 Desk Base



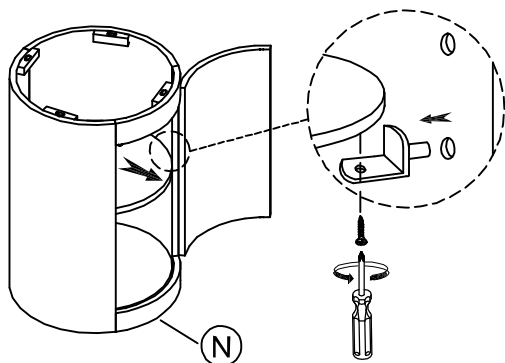
Step 1 :



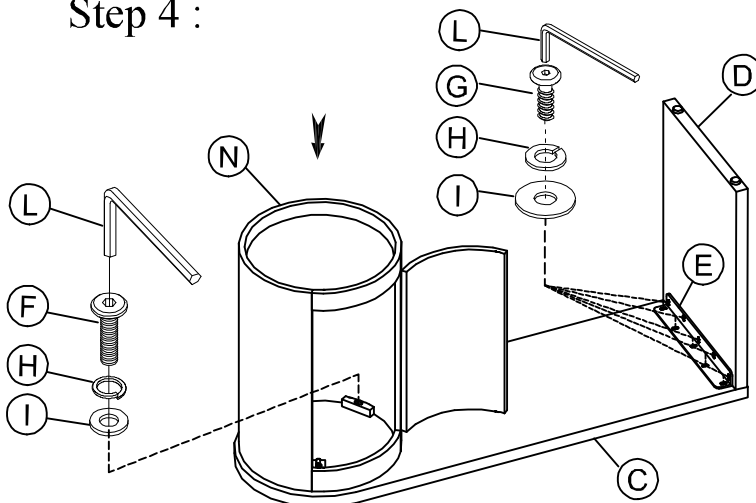
Step 2 :



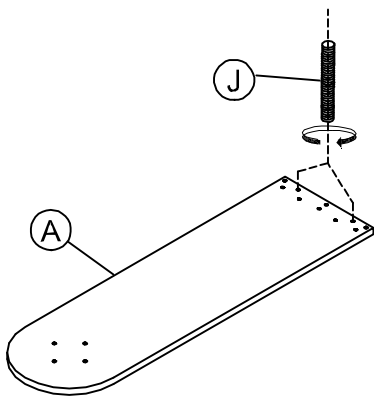
Step 3 : Remove Shelf



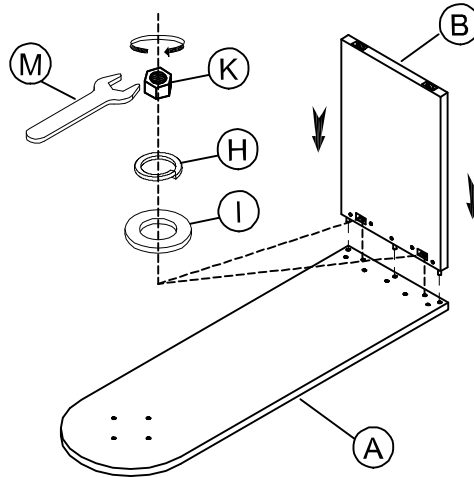
Step 4 :



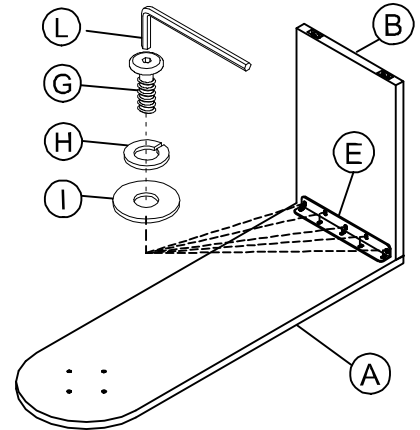
Step 5 :



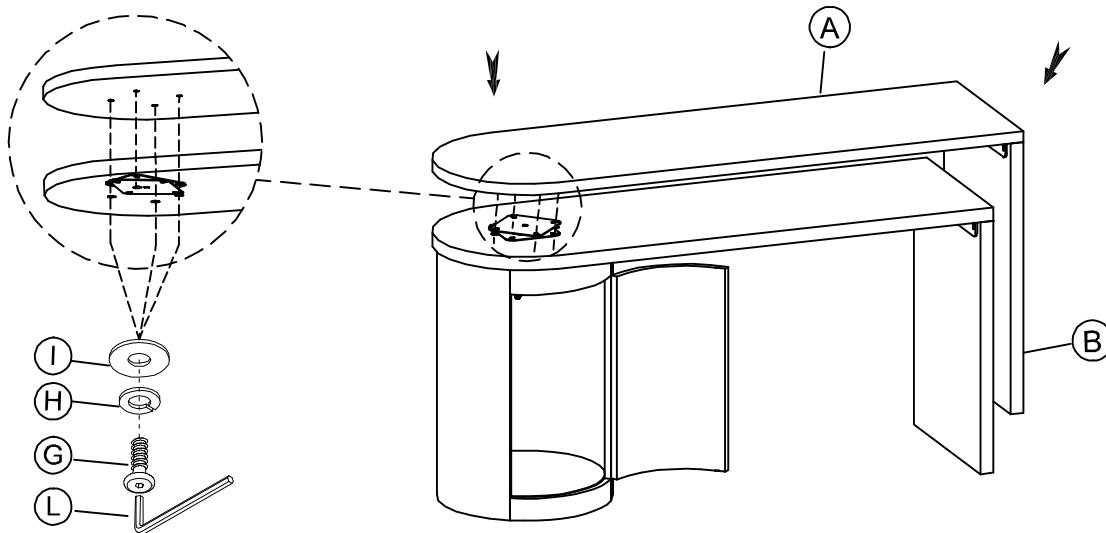
Step 6 :



Step 7 :



Step 8 :



Step 9 : Attach Shelf

