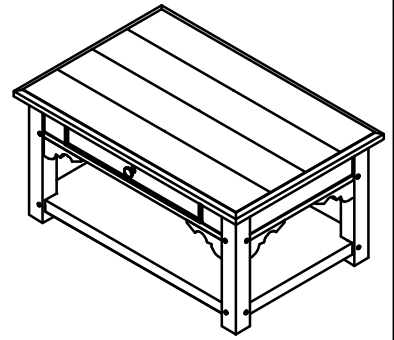


Warning :

- Be sure to check all packing material carefully for small parts, which may have come loose inside the carton during shipment.
- To prevent possible scratches and damage, this furniture **MUST BE ASSEMBLED BY TWO PEOPLE** on a soft surface such as a blanket or carpet.

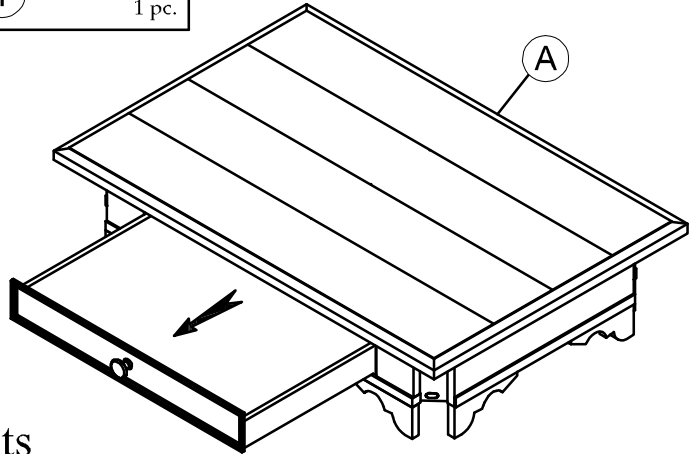


#17201
Small Cocktail Table

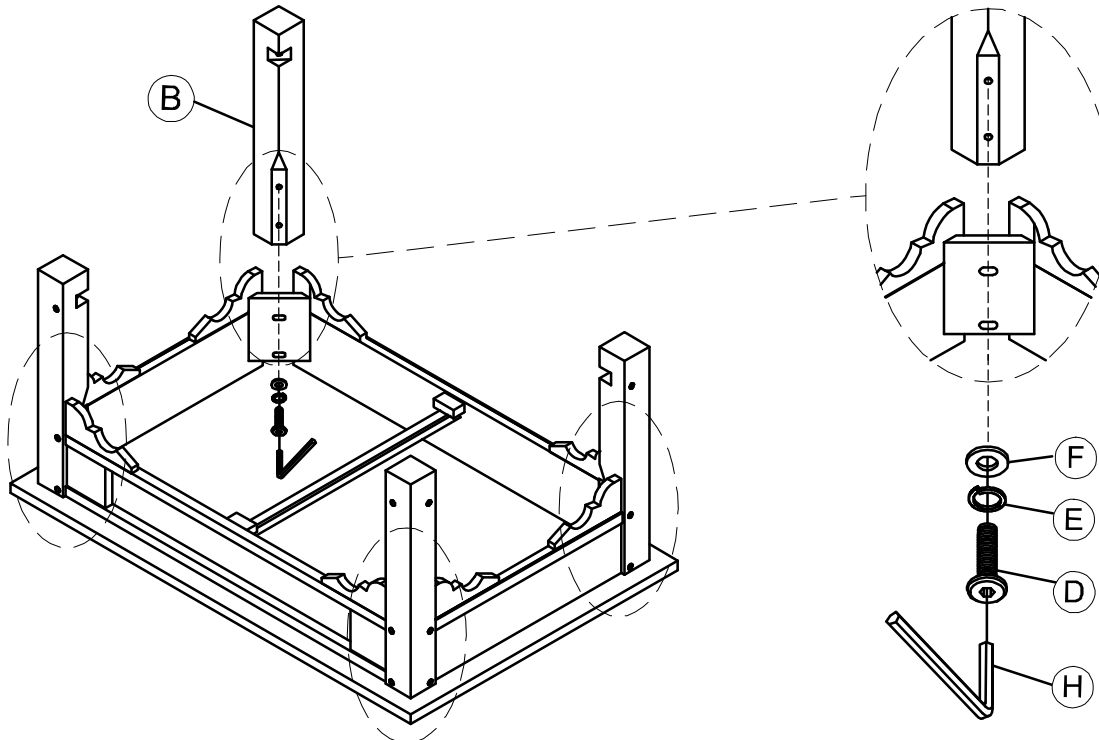
Components and Hardware List

<p>Top Assembly</p> <p>A 1 pc.</p>	<p>Leg</p> <p>B 4 pcs.</p>	<p>Bottom Panel</p> <p>C 1 pc.</p>	<p>Allen Head Bolt 1/4"x 2"</p> <p>D 12 pcs.</p>	<p>Spring Washer 1/4"</p> <p>E 12 pcs.</p>
<p>Flat Washer 1/4"</p> <p>F 12 pcs.</p>	<p>Caster</p> <p>G 4 pcs.</p>	<p>4 mm Allen Key</p> <p>H 1 pc.</p>	<p>Open Wrench</p> <p>I 1 pc.</p>	

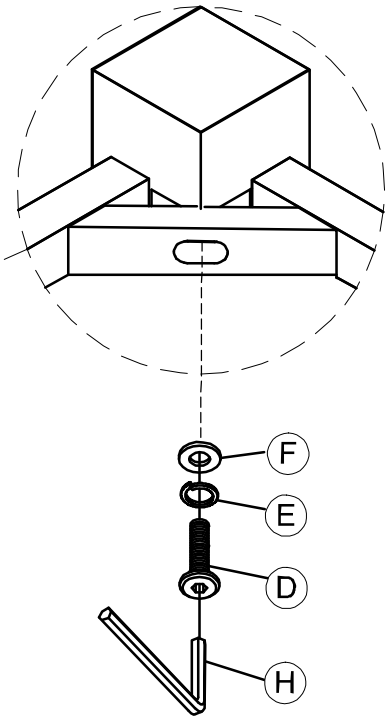
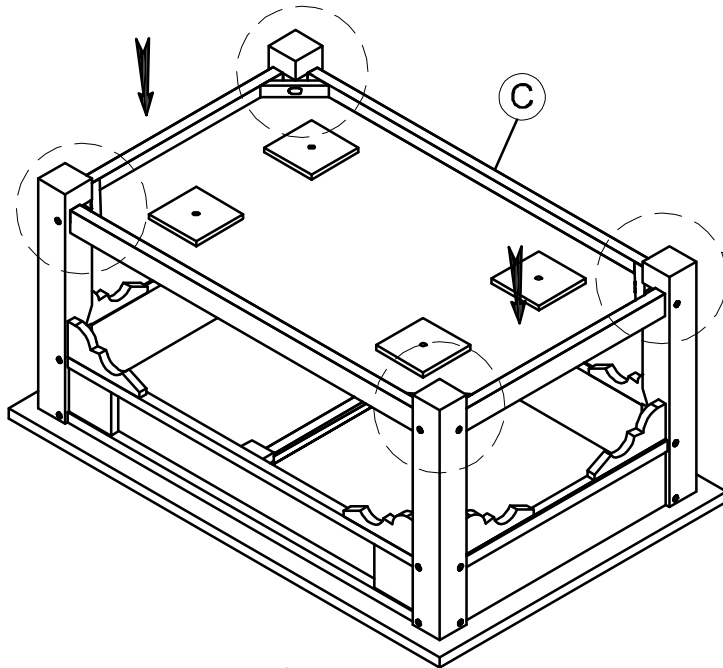
Step 1 : Remove Drawer



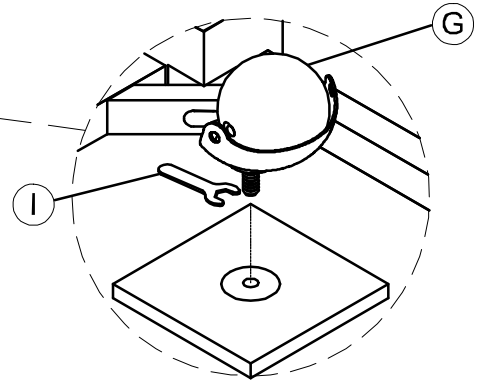
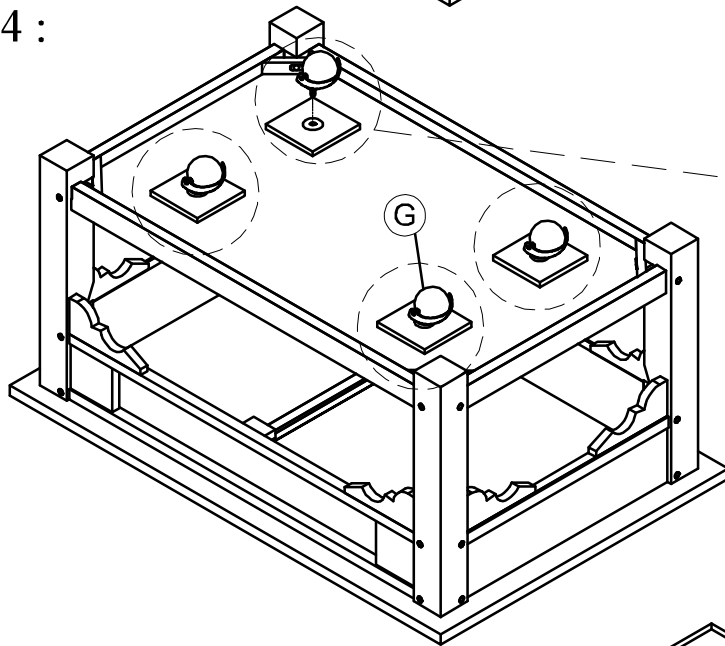
Step 2 : Do not fully tighten the bolts



Step 3 : Using the Allen key to tighten all bolts



Step 4 :



Step 5 : Attach Drawer

