

#15833

Riverside
FURNITURE

email: info@riverside-furniture.com

**Belmeade
Home Office
Assembly Instructions**

Page 1 of 1

Made in Viet Nam

Components and Hardware List

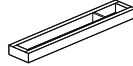
Bun Feet



A

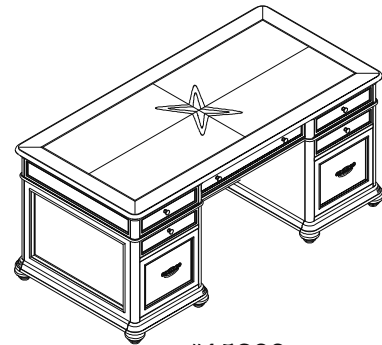
8 pcs.

Pencil Tray



B

1 pcs.



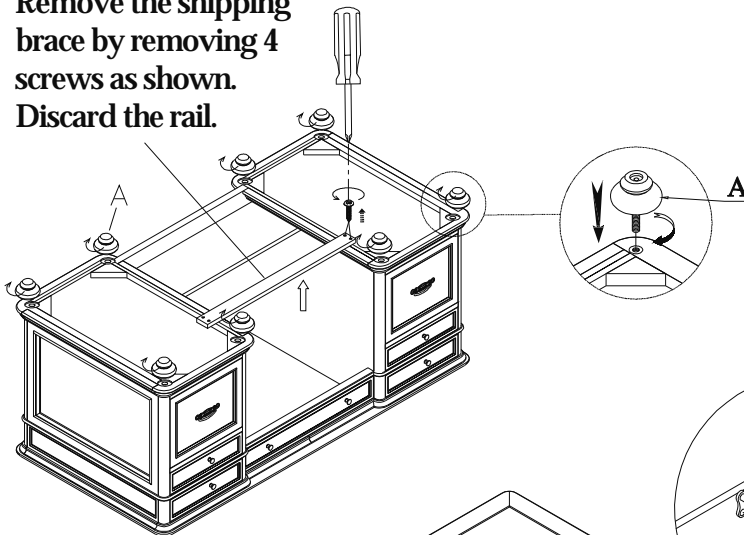
#15833
Credenza

Be sure to check all packing material carefully for small parts, which may have come loose inside the carton during shipment.

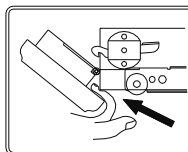
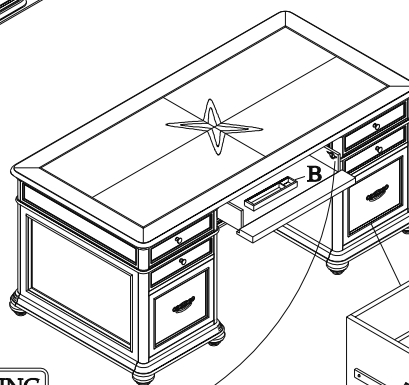
Place the desk upside down on a clean and soft surface for assembly.

Step 1

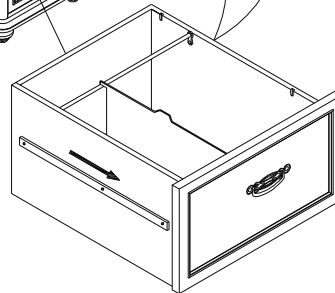
Remove the shipping
brace by removing 4
screws as shown.
Discard the rail.



Step 2



WARNING
Pinch Point.
Keep fingers from
underneath drawer
front when
releasing.



The file drawers can be set up to use either letter or legal size hanging file folders using the file rods installed in the file drawers.

The levelers in the bottom of the bun feet can be adjusted if necessary to compensate for uneven flooring.