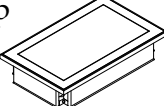

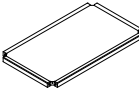
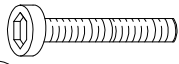
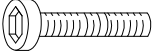



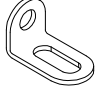
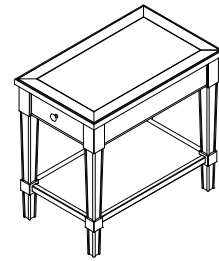


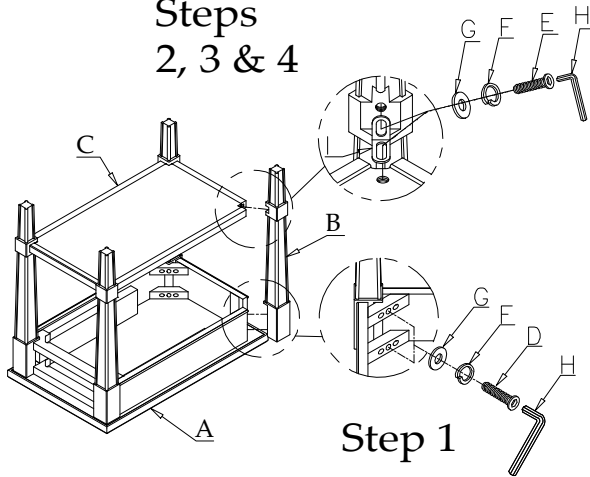
Components and Hardware List

Table Top  (A) 1 pc.	Leg  (B) 4 pcs.	Shelf  (C) 1 pc.	Ø5/16-18 x 2-1/4" Allen Head Bolt  (D) 8 pcs.
Ø5/16-18 x 5/8" Allen Head Bolt  (E) 8 pcs.	5/16" Spring Washer  (F) 16 pcs.	5/16" x 19 x 2mm Flat Washer  (G) 16 pcs.	5mm Allen Wrench  (H) 1 pc.
Metal Brackets 40 x 30 x 18 x 2  (I) 4 pcs.	<p>Be sure to check all packing material carefully for small parts, which may have come loose inside the carton during shipment.</p> <p>To prevent possible scratches and damage, this furniture should be assembled on a soft surface such as a blanket or carpet.</p>		



#15511
Chairside Table

Steps 2, 3 & 4



Step 1: Place Table Top (A) upside down and assemble three (3) Legs (B) into the Top using two 2-1/4" Bolts (D), Spring Washers (F), and Flat Washers (G). Only partially install Bolts until after next Step.

Step 2: Position the Shelf (C) into the notches of the Legs and attach using the Metal Brackets (I), 5/8" Long Bolts (E) and the same Washers. Do not fully tighten Bolts until Step 4.

Step 3: Attach the fourth Leg using the same Bolts and Washers as previous Steps.

Step 4: Pull each Leg snug to the Shelf and tighten the Bolts through the Metal Brackets. Tighten the Bolts attaching the top of each Leg to the Top.

Step 5: Carefully set the assembled Table upright.

