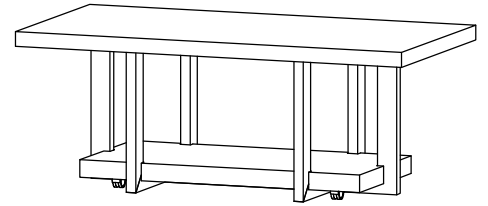


**Components and Hardware List**

Table Top	Shelf	Legs	Casters
1 pc.	1 pc.	6 pcs.	4 pcs.
4mm Allen Key 1 pc.	Ø1/4"-20 x 18mm Allen Head Bolt 24 pcs.	Ø1/4"x12x1mm Spring Washer 24 pcs.	Ø1/4"x19x1mm Flat Washer 24 pcs.
Wrench 1 pc.			



**14401**  
Caster Cocktail Table

**\*\*\* Note:**

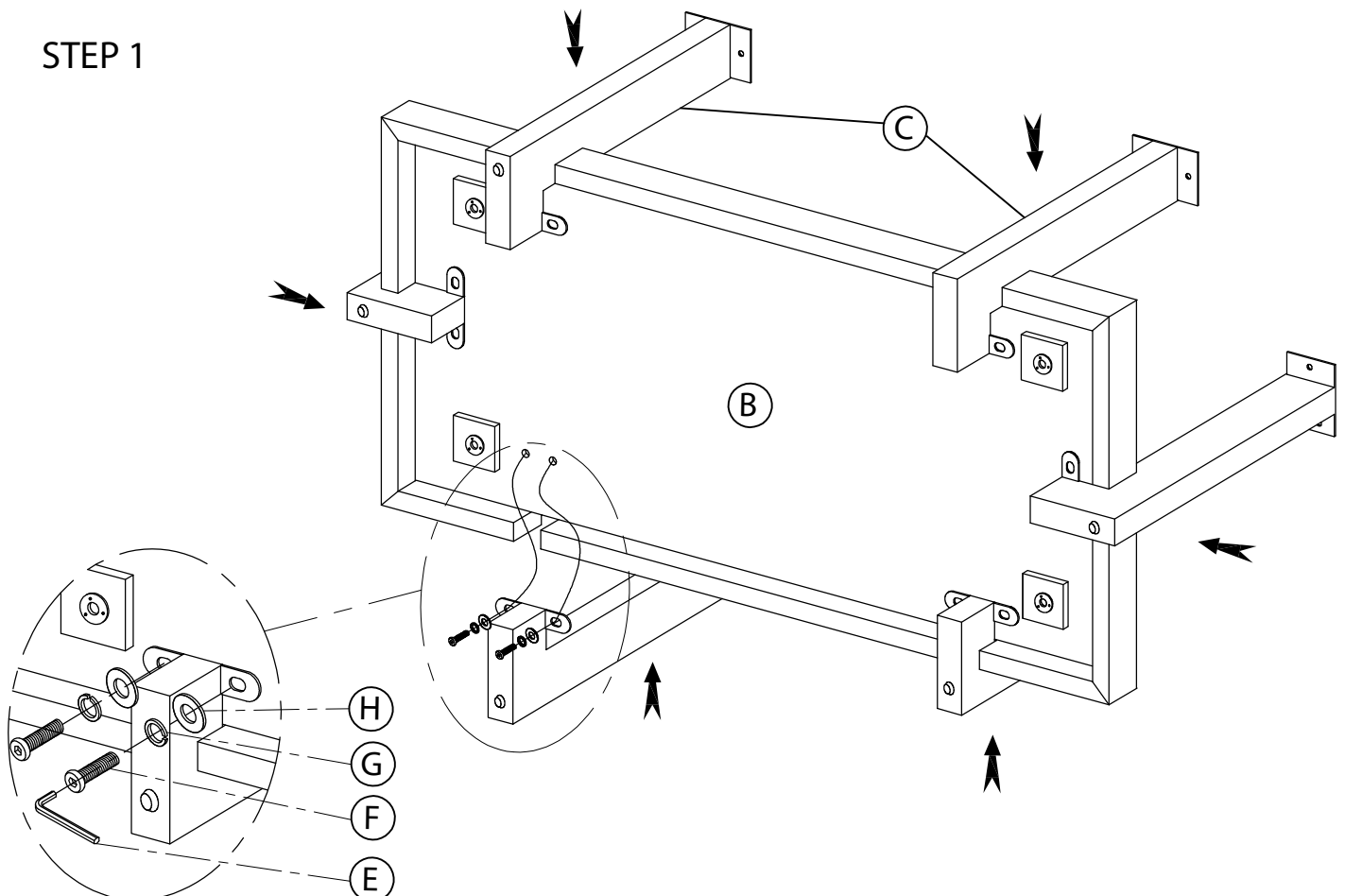
Check all packing material carefully for small parts, which may have come loose inside the carton during shipment.

Do not discard any packing material until the table has been completely assembled to prevent parts from being accidentally discarded.

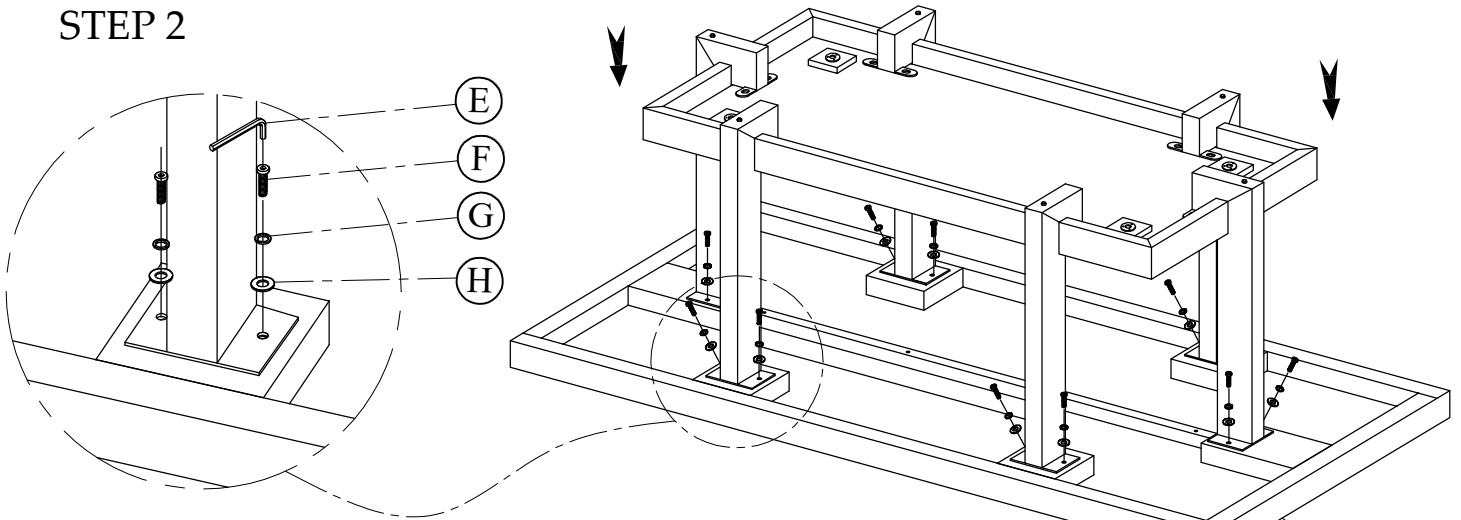
To prevent possible scratches and damages, assemble the table upside down on a soft surface such as a blanket, carpet or it's own packaging material.

Do not fully tighten the bolts until all steps have been completed and the parts adjusted for correct fit. Levelers are installed on the bottom of the legs and can be used to compensate for uneven flooring.

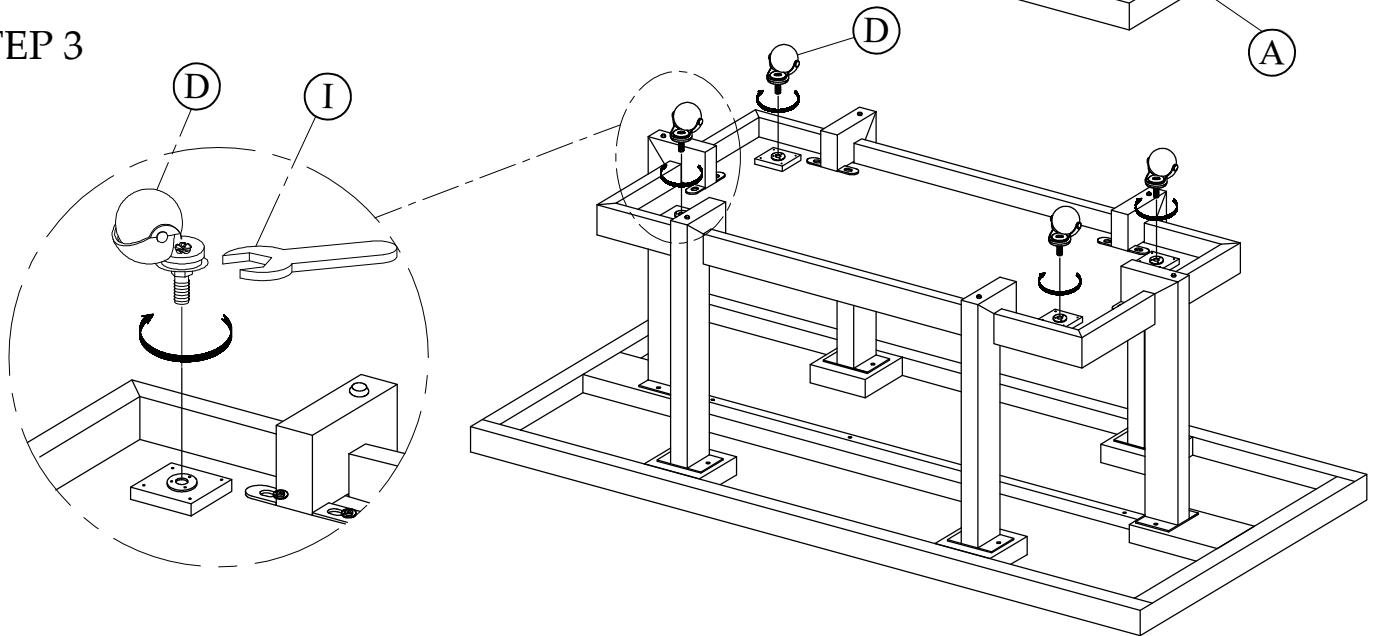
**STEP 1**



**STEP 2**



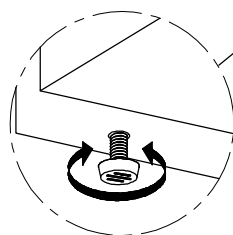
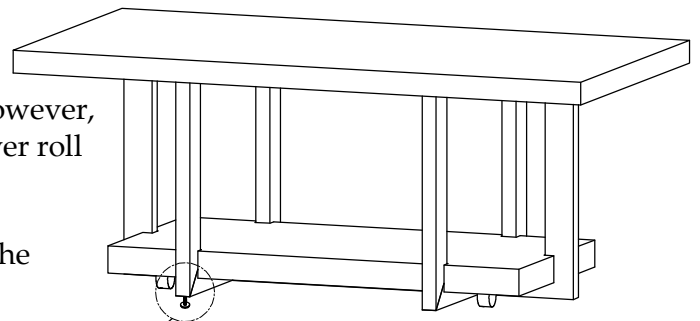
**STEP 3**



**STEP 4**

The casters provide an element of convenient mobility, however, to prevent possible damage to some types of flooring, never roll casters on unprotected hardwood or vinyl flooring.

If the casters are not used, floor levelers are provided on the bottom of all legs.



**Adjustable Leveler**