

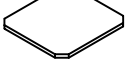









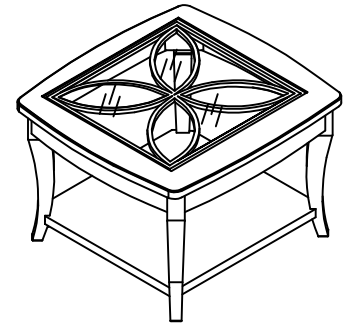


Be sure to check all packing material carefully for small parts, which may have come loose inside the carton during shipment. Separate, count and check all parts against the Components and Hardware List below.

Component And Hardware List

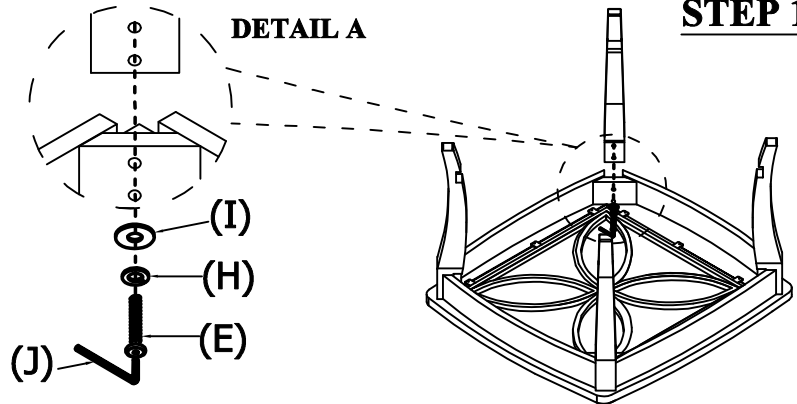
Top Assembly	Leg	Shelf	Glass Top
 (A) 1 PC.	 (B) 4 PCS.	 (C) 1 PC.	 (D) 1 PC.
Bolts: Ø1/4" x 38mm  (E) 8 PCS.	Bolts: Ø1/4" x 15mm  (F) 8 PCS.	Flat Washer Ø 1/4" x 12mm  (G) 8 PCS.	Spring Washer Ø 1/4"  (H) 16 PCS.
Flat Washer Ø 1/4" x 19mm  (I) 8 PCS.	4mm Allen Wrench  (J) 1 PC.	"L" Brackets  (K) 4 PCS.	Cover Panel  (L) 4 PCS.



Item #12406
End Table

ASSEMBLY PROCEDURE:

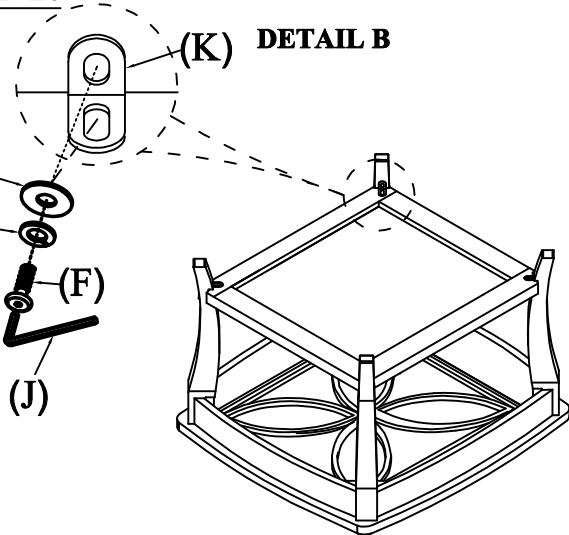
1. Place Top Assembly (A) upside down on a soft, non-abrasive surface such as a blanket or carpet, or its own packaging materials.
2. Attach the Legs (B) to the four corners of the Table Top (A) by using the Bolts (E), Spring Washers (H) & Flat Washers (I) as shown in **DETAIL A**. Do not fully tighten Bolts until Step 2.



STEP 1:

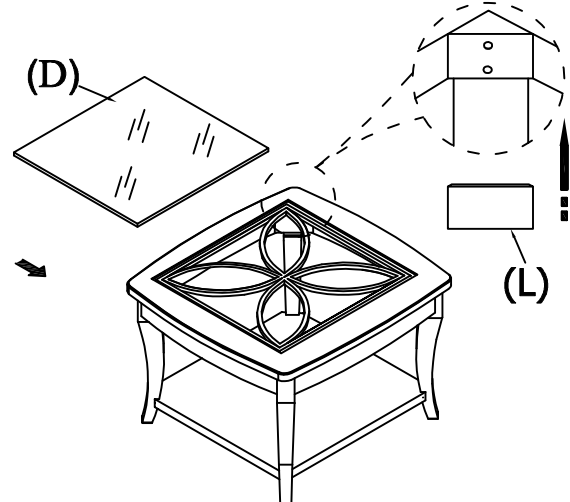
STEP 2:

3. Assemble Shelf (C) to the Four Legs by using 'L' Brackets (K), Bolts (F), Spring Washers (H) & Flat Washers (G), as shown in **DETAIL B**. Pull the Shelf snug to the Legs and tighten Bolts using the Allen Wrench (J). Pull the Legs snug to the Top Assembly and tighten Bolts at the top of the Legs.



STEP 3:

4. Carefully set the completed Table upright.
5. Attach the cover panels (L) to cover the corners of the Top Assembly (A), as shown in **DETAIL D**.
6. Install the Glass Top (D) to the Top Table.



DETAIL D

THANK YOU FOR YOUR PURCHASE.