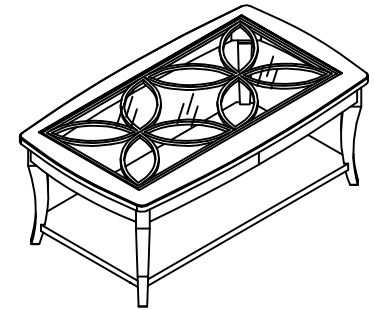


Be sure to check all packing material carefully for small parts, which may have come loose inside the carton during shipment. Separate, count and check all parts against the Components and Hardware List below.

Component And Hardware List

<p>Top Assembly</p> <p>(A) 1 PC.</p>	<p>Leg</p> <p>(B) 4 PCS.</p>	<p>Shelf</p> <p>(C) 1 PC.</p>	<p>Glass Top</p> <p>(D) 1 PC.</p>	
<p>Bolts: Ø1/4" x 38mm</p> <p>(E) 8 PCS.</p>	<p>Bolts: Ø1/4" x 15mm</p> <p>(F) 8 PCS.</p>	<p>Flat Washer Ø 1/4" x 12mm</p> <p>(G) 8 PCS.</p>	<p>Spring Washer Ø 1/4"</p> <p>(H) 16 PCS.</p>	<p>Flat Washer Ø 1/4" x 19mm</p> <p>(I) 8 PCS.</p>
<p>4mm Allen Wrench</p> <p>(J) 1 PC.</p>	<p>"L" Brackets</p> <p>(K) 4 PCS.</p>	<p>Caster</p> <p>(L) 4 PCS.</p>	<p>Wrench 12mm</p> <p>(M) 1 PC.</p>	<p>Cover Panel</p> <p>(N) 4 PCS.</p>

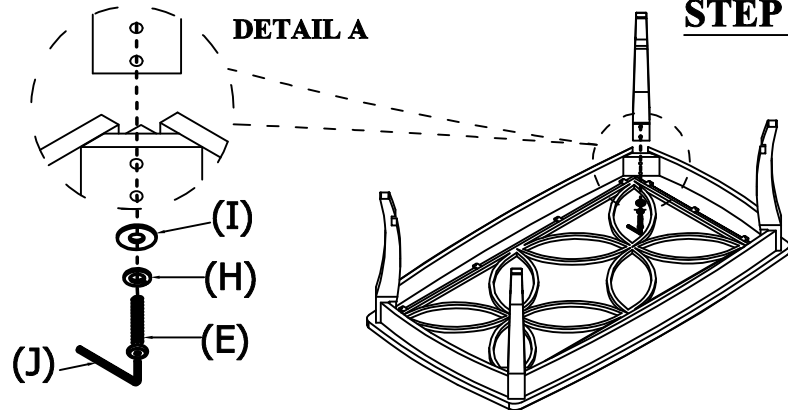


Item #12401
Rectangele Cocktail Table

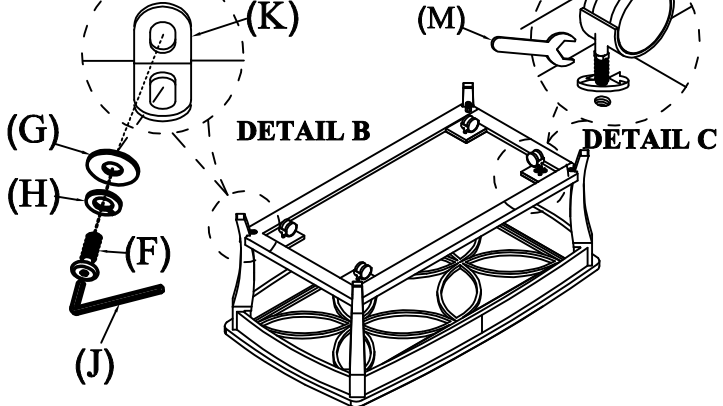
STEP 1:

ASSEMBLY PROCEDURE:

- Place Top Assembly (A) upside down on a soft, non-abrasive surface such as a blanket or carpet, or its own packaging materials.
- Attach the Legs (B) to the four corners of the Table Top (A) by using the Bolts (E), Spring Washers (H) & Flat Washers (I) as shown in **DETAIL A**. Do not fully tighten Bolts until Step 2.



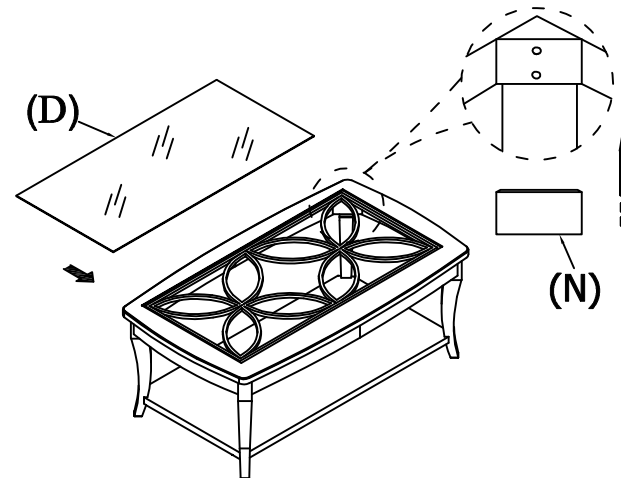
STEP 2:



- Assemble Shelf (C) to the Four Legs by using 'L' Brackets (K), Bolts (F), Spring Washers (H) & Flat Washers (G), as shown in **DETAIL B**. Pull the Shelf snug to the Legs and tighten Bolts using the Allen Wrench (J). Pull the Legs snug to the Top Assembly and tighten Bolts at the top of the Legs.
- If the Casters (L) will be used: Attach to the bottom of the Shelf and tighten with the Wrench (M), as shown in **DETAIL C**. To prevent possible damage to some types of flooring, never roll casters on unprotected hardwood or vinyl flooring.

STEP 3:

DETAIL D



- Carefully set the completed Table upright.
- Attach the cover panels (N) to cover the corners of the Top Assembly (A), as shown in **DETAIL D**.
- Install the Glass Top (D) to the Top Table.

THANK YOU FOR YOUR PURCHASE.