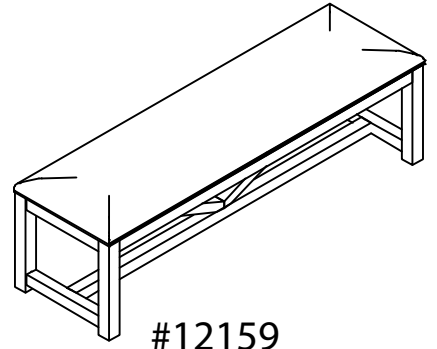
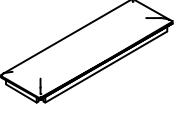

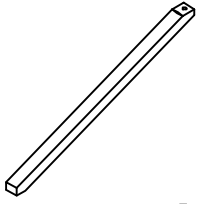
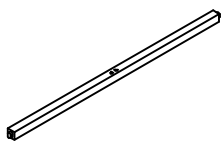
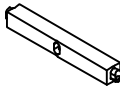
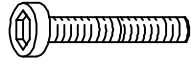
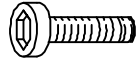





Components and Hardware List

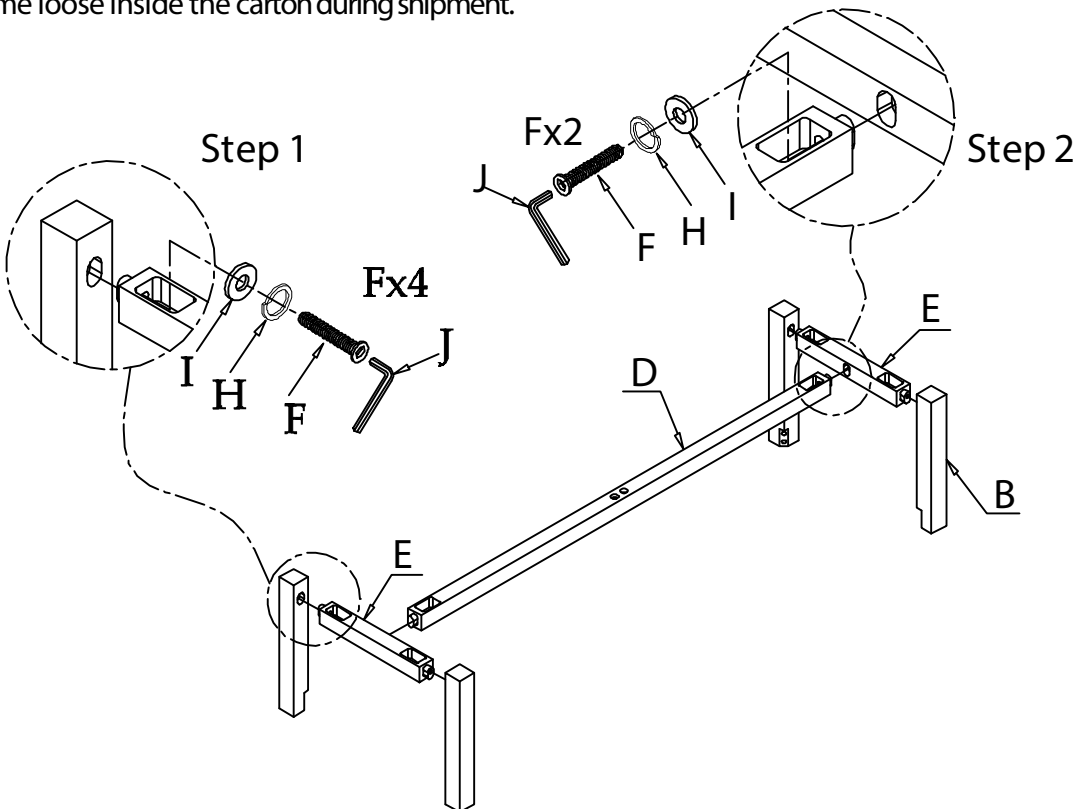


#12159

Uph Dining Bench 1IN

<p>Top Bench</p>  <p>(A) 1 pc.</p>	<p>Leg</p> <p>2 Left 2 Right</p>  <p>(B) 4 pcs.</p>	<p>Center Stretcher</p>  <p>(C) 2 pcs.</p>		
<p>Stretcher 1</p>  <p>(D) 1 pc.</p>	<p>Stretcher 2</p>  <p>(E) 2 pcs.</p>	<p>M5/16" x 2" Long Allen Head Bolt</p>  <p>(F) 16 pcs.</p>	<p>M5/16" x 1-1/2" Long Allen Head Bolt</p>  <p>(G) 2 pcs.</p>	<p>5/16"x12*3mm Spring Washer</p>  <p>(H) 18 pcs.</p>
<p>5/16" x 19*2mm Flat Washer</p>  <p>(I) 18 pcs.</p>	<p>5mm Allen Wrench</p>  <p>(J) 1 pc.</p>			

Be sure to check all packing material carefully for small parts, which may have come loose inside the carton during shipment.



Components and Hardware List

