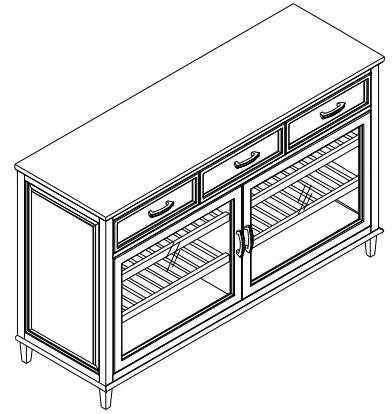


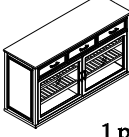

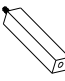

Warning :

- Be sure to check all packing material carefully for small parts, which may have come loose inside the carton during shipment.
- To prevent possible scratches and damage, this furniture **MUST BE ASSEMBLED BY TWO PEOPLE** on a soft surface such as a blanket or carpet.

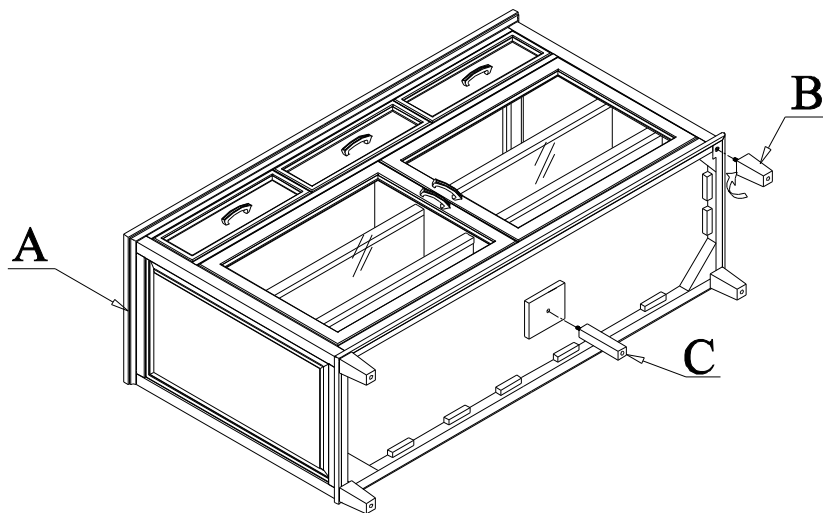


#12156
Sideboard

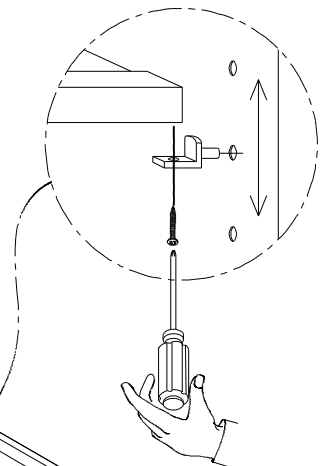
Components and Hardware List

| Sideboard | Leg | Center Leg | Anti-tip Restraint Kit |
|--|--|---|---|
|  1 pc. |  4 pcs. |  1 pc. |  1 pc. |
| A | B | C | D |

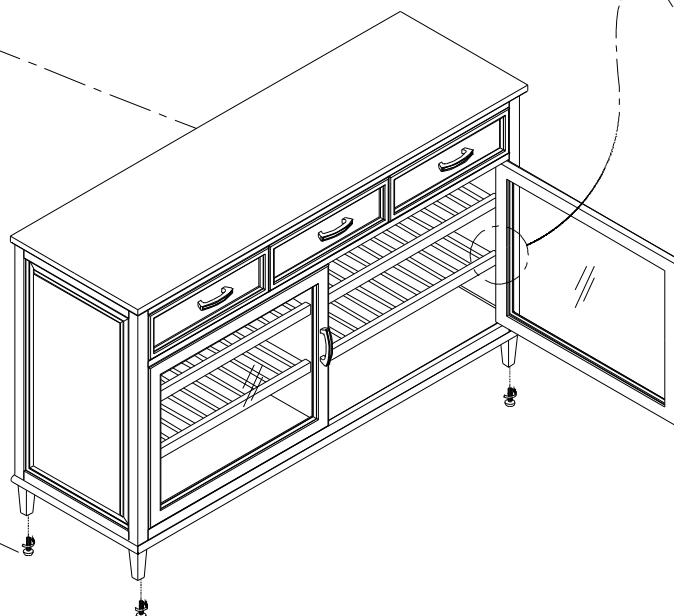
Step 1



Step 2



Adjustable Leveler



For product and personal safety, a Anti-Tip Restraint kits have been included with this cabinet which can help to minimize the risk of the cabinet accidentally tipping forward, if used and properly installed.