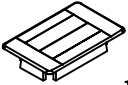
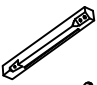
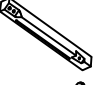

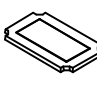








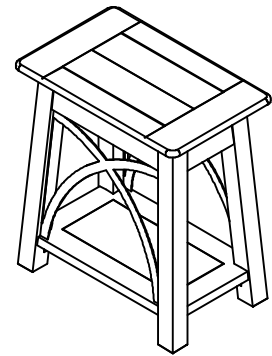


Be sure to check all packing material carefully for small parts, which may have come loose inside the carton during shipment. Separate, count and check all parts against the Components and Hardware List below.

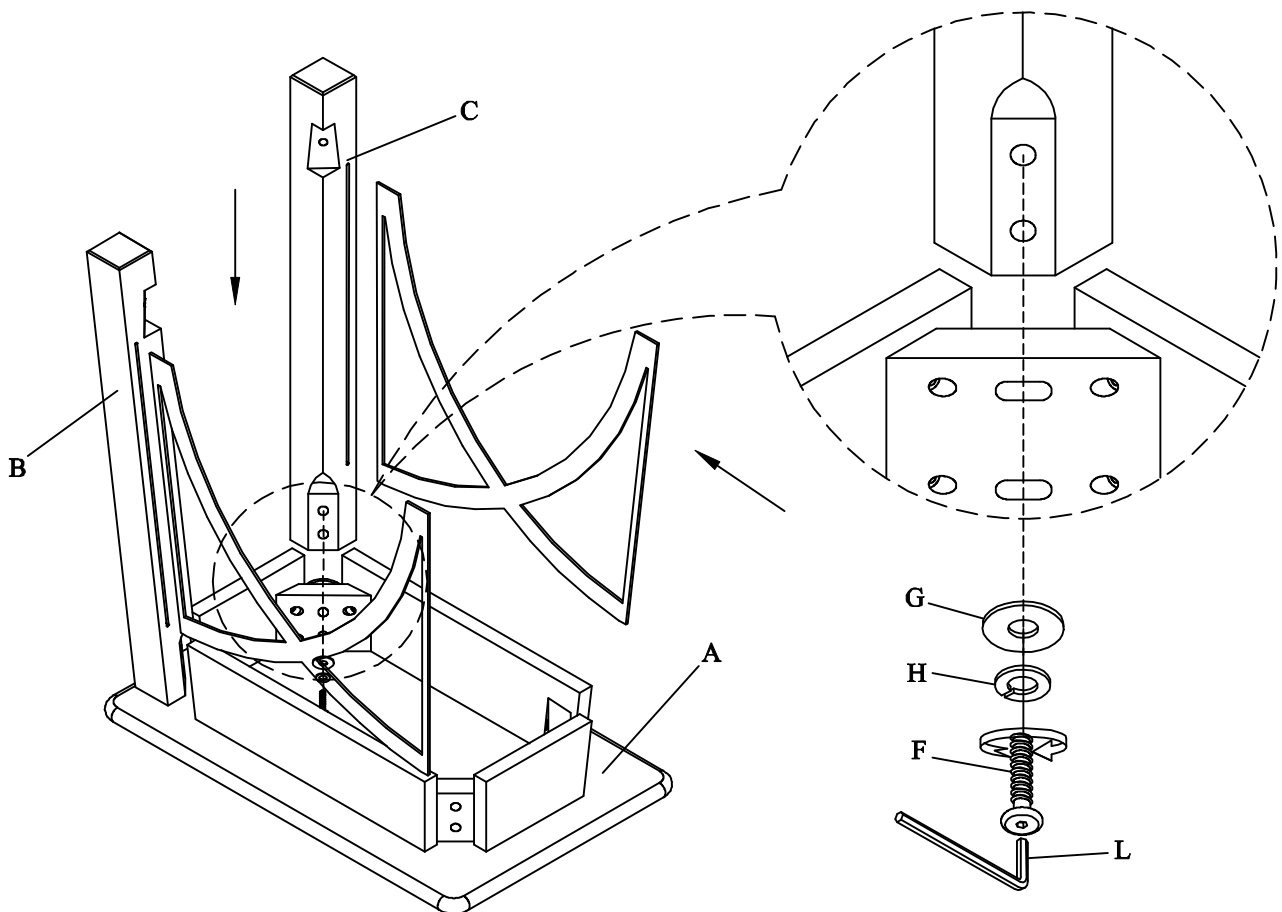
**Component And Hardware List**

Top Assembly	Left Legs	Right Legs	Decorative End Assembly	Shelf
 1 pc.	 2 pcs.	 2 pcs.	 2 pcs.	 1 pc.
<b>Bolt</b> Ø5/16"*50mm  8 pcs.	<b>Flat Washer</b> Ø5/16"*19mm  8 pcs.	<b>Spring Washer</b> Ø5/16"  8 pcs.	<b>Bolts</b> Ø1/4"*15mm  8 pcs.	<b>Flat Washer</b> Ø1/4"*12mm  8 pcs.
<b>Spring Washer</b> Φ1/4"  8 pcs.	<b>Allen key</b> 4mm  1 pc.	<b>"L"bracket</b>  4 pcs.		



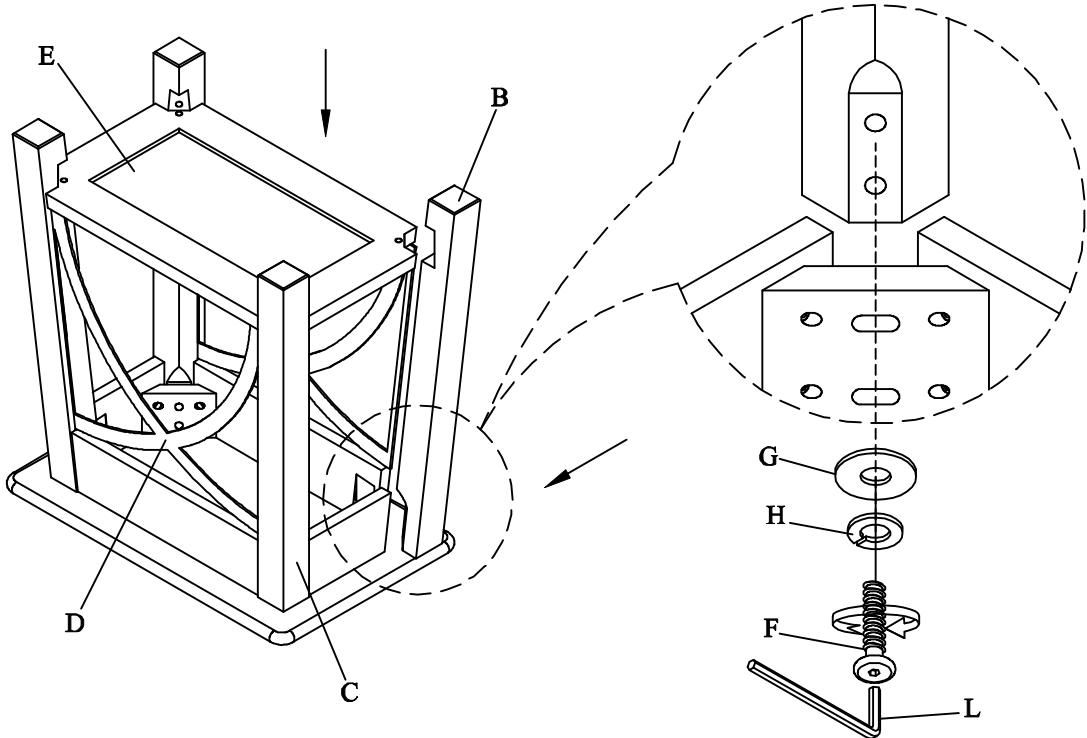
**Item #12012**  
**CHAIRSIDE TABLE**

**Step 1**

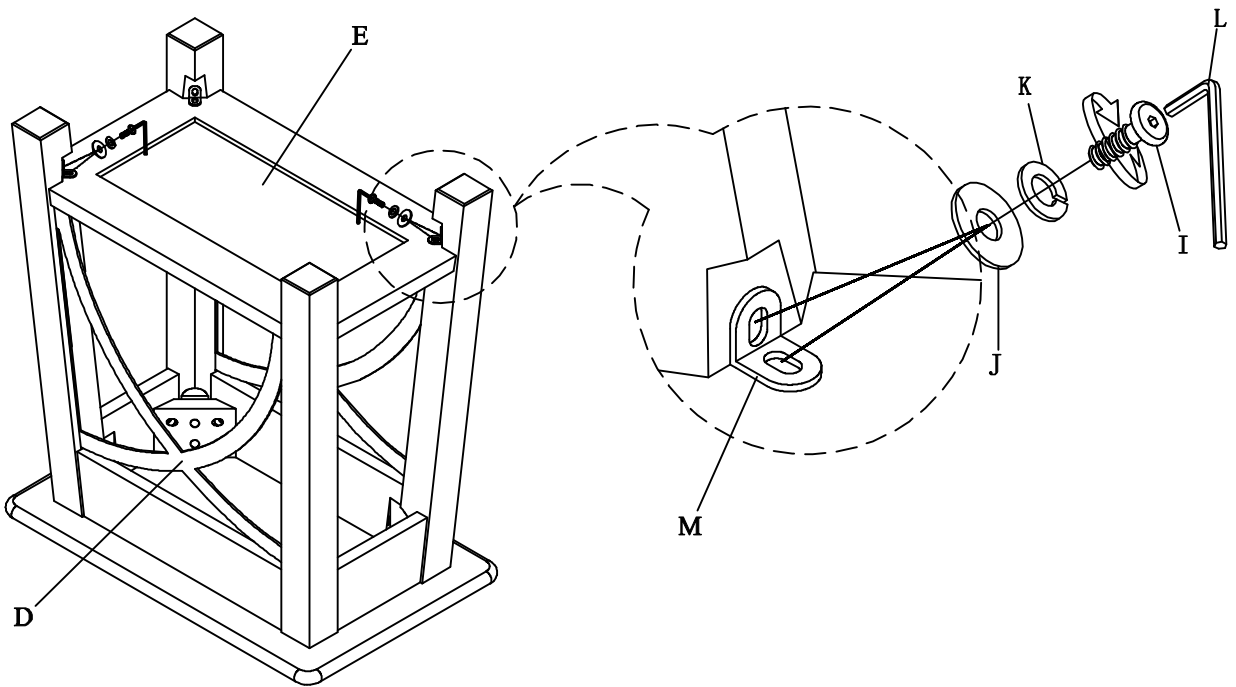


**THANK YOU FOR YOUR PURCHASE.**

**Step 2**



**Step 3**



**THANK YOU FOR YOUR PURCHASE.**