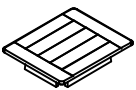
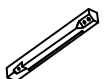
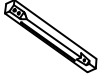












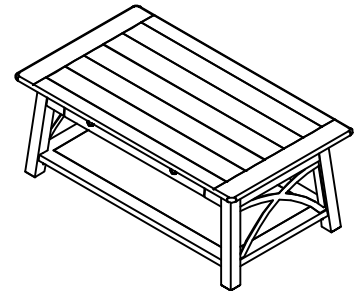


Be sure to check all packing material carefully for small parts, which may have come loose inside the carton during shipment. Separate, count and check all parts against the Components and Hardware List below.

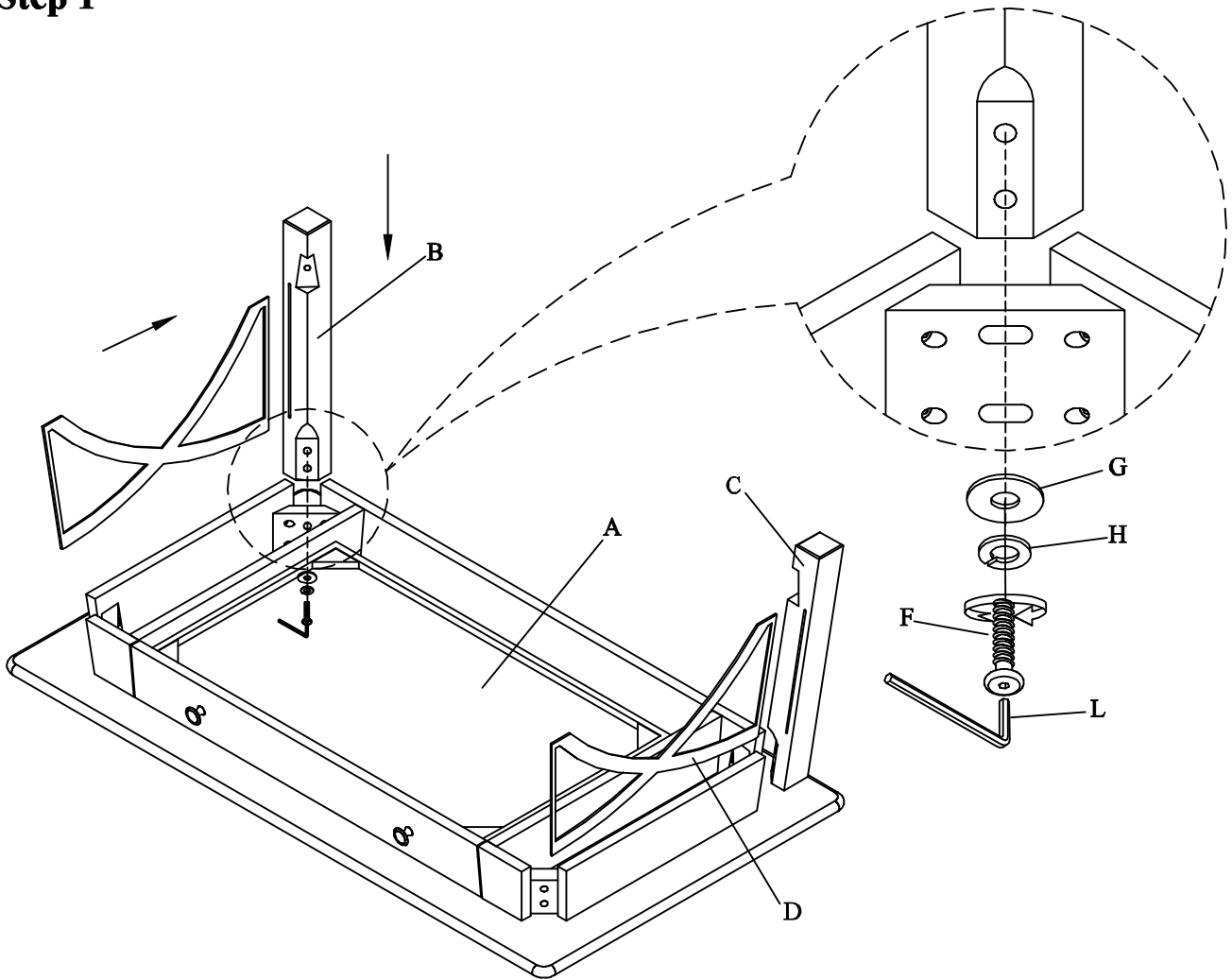
Component And Hardware List

Top Assembly	Left Legs	Right Legs	Decorative End Assembly	Shelf
 A 1 pc.	 B 2 pcs.	 C 2 pcs.	 D 2 pcs.	 E 1 pc.
Bolt Ø5/16"*50mm  F 8 pcs.	Flat Washer Ø5/16"*19mm  G 8 pcs.	Spring Washer Ø5/16"  H 8 pcs.	Bolts Ø1/4"*15mm  I 8 pcs.	Flat Washer Ø1/4"*12mm  J 8 pcs.
Spring Washer Ø1/4"  K 8 pcs.	Allen key 4mm  L 1 pc.	L-Bracket  M 4 pcs.	Caster  N 4 pcs.	Wrench 14mm  O 1 pc.



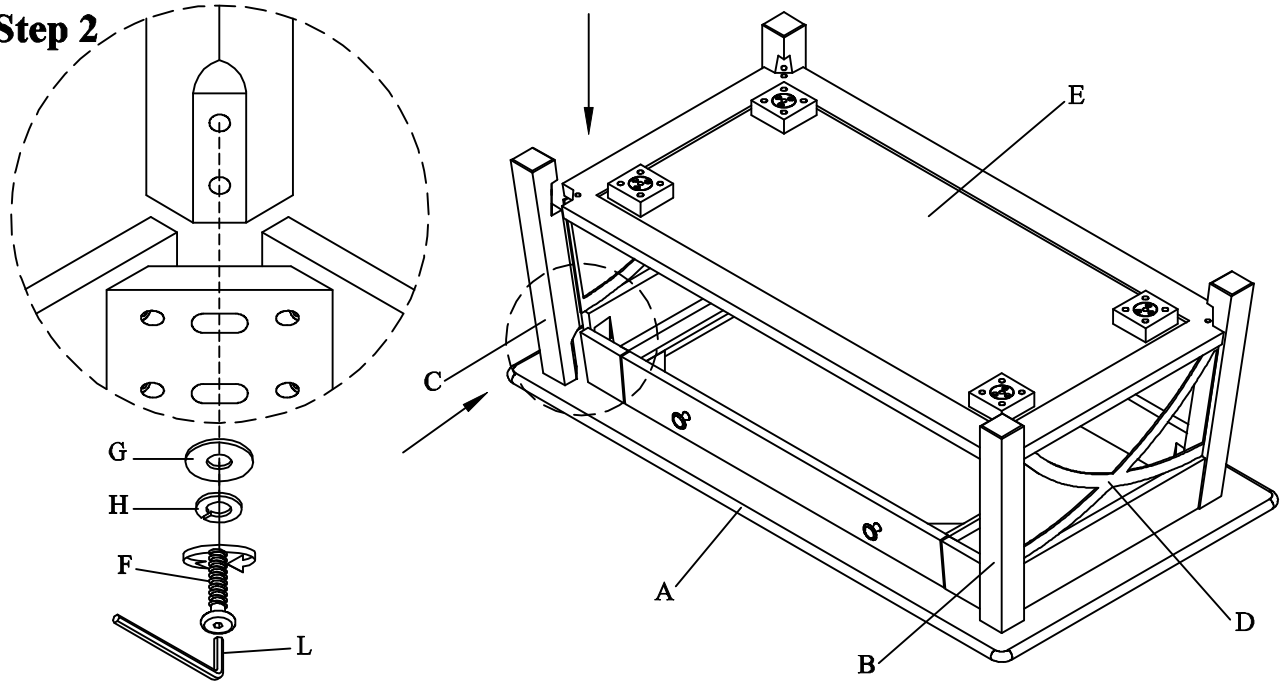
Item #12002
COCKTAIL TABLE

Step 1

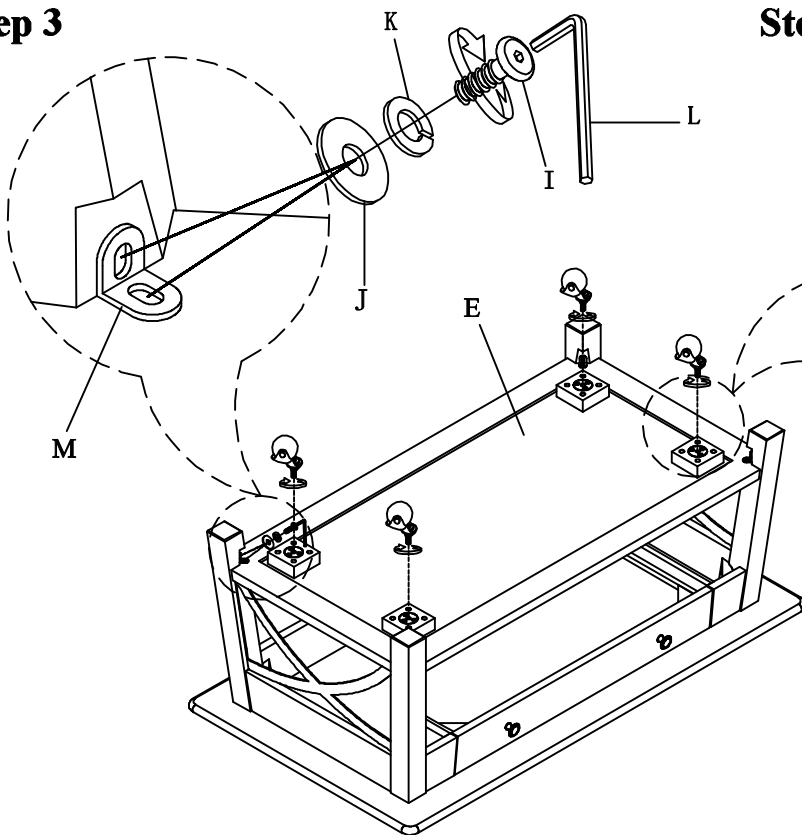


THANK YOU FOR YOUR PURCHASE.

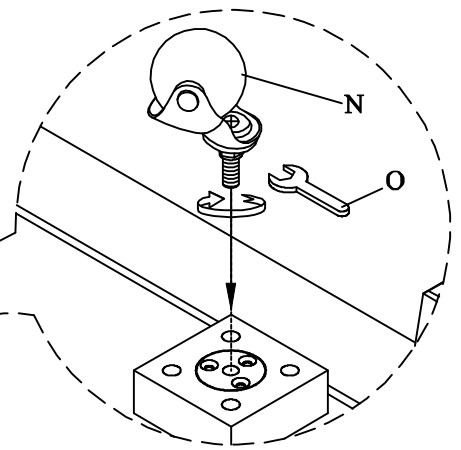
Step 2



Step 3



Step 4



THANK YOU FOR YOUR PURCHASE.