

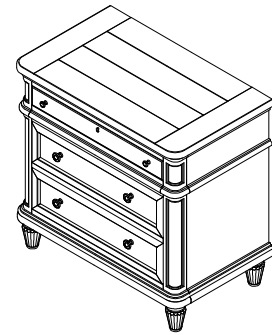
Components and Hardware List



Bun feet

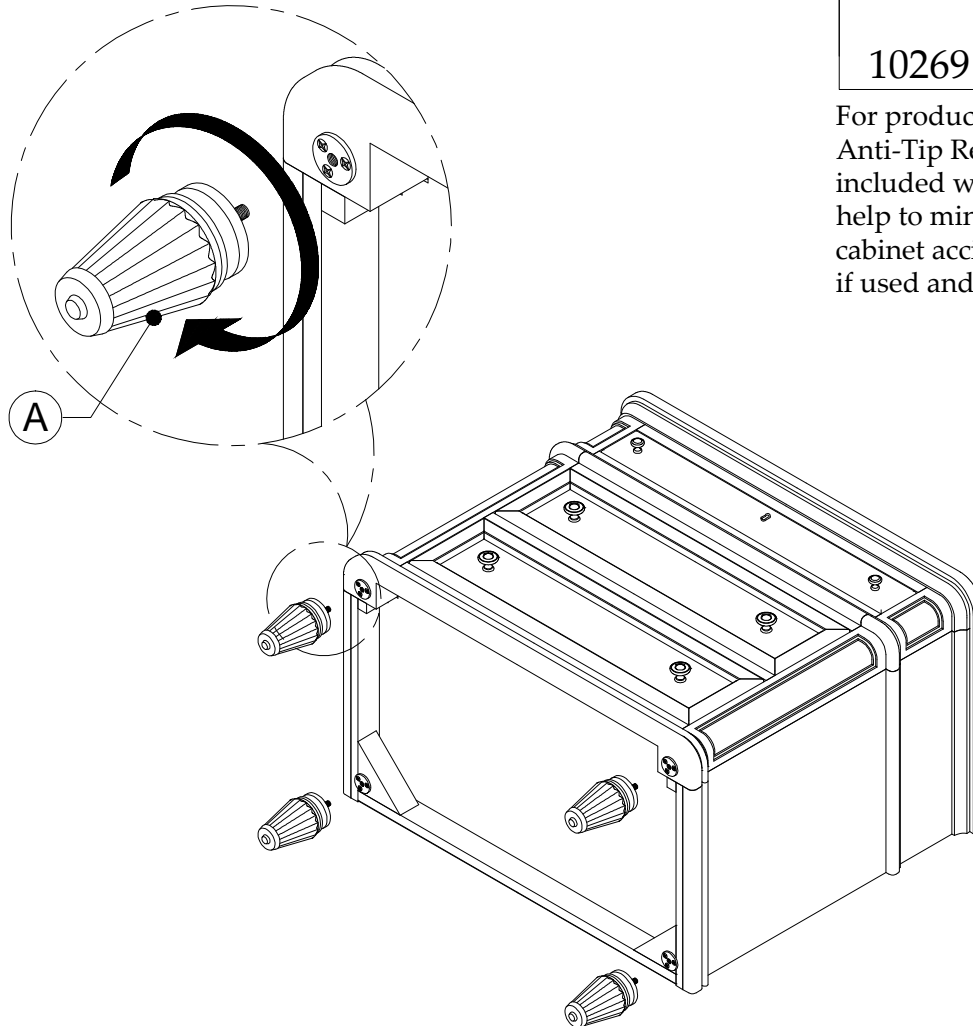
(A)

4 pcs.



10269 3-NightStand

For product and personal safety, Anti-Tip Restraint kits have been included with this cabinet which can help to minimize the risk of the cabinet accidentally tipping forward, if used and properly installed.



To prevent possible scratches and damage, this furniture must be assembled by two people on a soft surface such as a blanket or carpet.

Step 1: Carefully place the Nightstand on its back. Insert hanger bolt on Bun feet (A) into metal connector on bottom base as shown. Tighten all align Bun foot.

Step 2: Set the Nighstand upright and move to the desired location in the room.